

PRODUCT INFORMATION PACKET

Model No: 192107.30

Catalog No: 192107.30

Obsolete Replaced by 192107.00..1/2HP-0.37kW..1800RPM.D71.TEFC.575V.3PH.60HZ.CONT.40C..B3.....

...

Regal and are trademarks of Regal Rexnord Corporation or one of its affiliated companies.
©2022 Regal Rexnord Corporation, All Rights Reserved. MC017097E



Nameplate Specifications

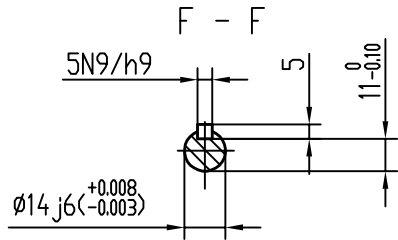
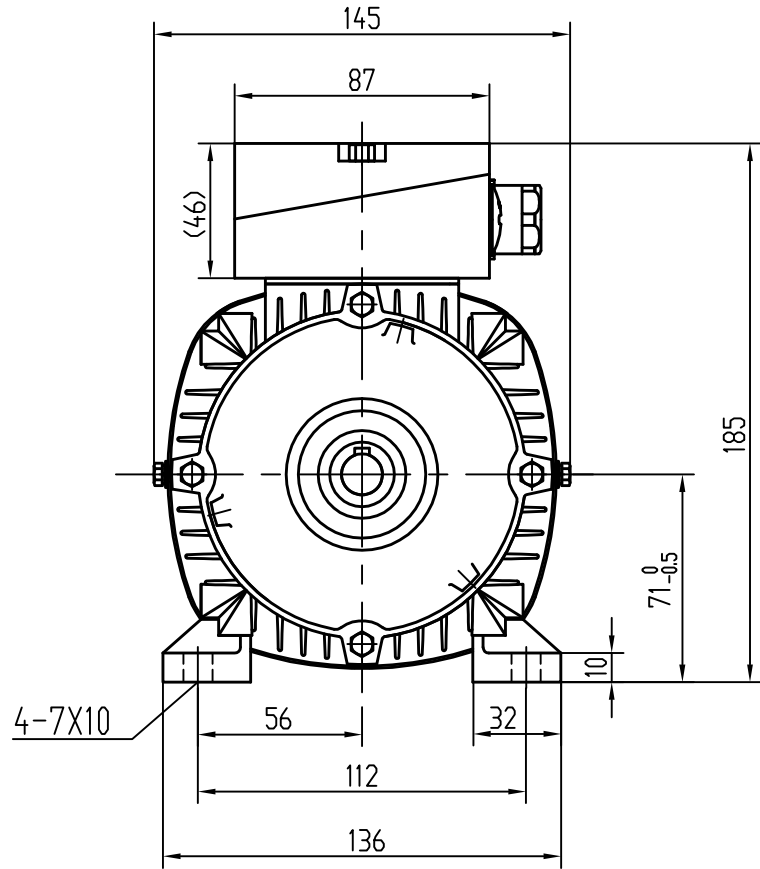
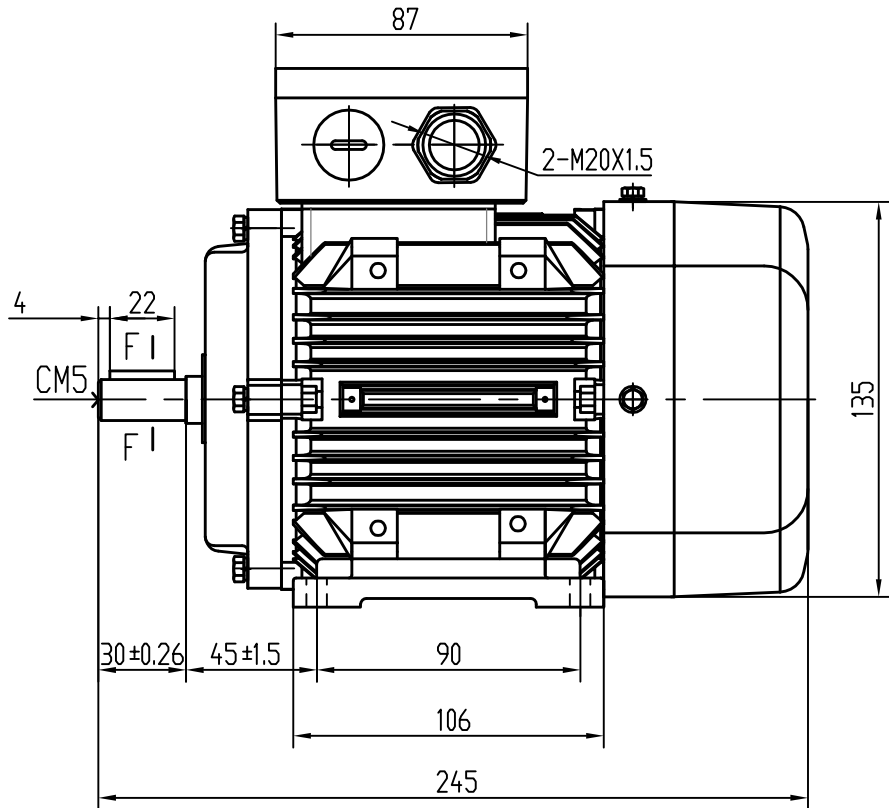
Output HP	0.50 Hp	Output KW	0.37 kW
Frequency	60 Hz	Voltage	575 V
Current	0.77 A	Speed	1705 rpm
Service Factor	1.15	Phase	3
Efficiency	77 %	Power Factor	63
Duty	Continuous	Insulation Class	F
Design Code	NO DESIGN CODE	KVA Code	H
Frame	D71	Enclosure	Totally Enclosed Fan Cooled
Thermal Protection	No	Ambient Temperature	40 °C
Drive End Bearing Size	6202	Opp Drive End Bearing Size	6202
UL	Recognized	CSA	Y
CE	Y	IP Code	55
Number of Speeds	1		

Technical Specifications


Electrical Type	Squirrel Cage Inverter Rated	Starting Method	Line Or Inverter
Poles	4	Rotation	Reversible
Resistance Main	0 Ohms	Mounting	B3
Motor Orientation	Horizontal Or Up Or Down	Drive End Bearing	Ball
Opp Drive End Bearing	Ball	Frame Material	Aluminum
Shaft Type	IEC	Assembly/Box Mounting	F3
Inverter Load	CONSTANT 10:1		
Connection Drawing	00546802	Outline Drawing	OL19210730

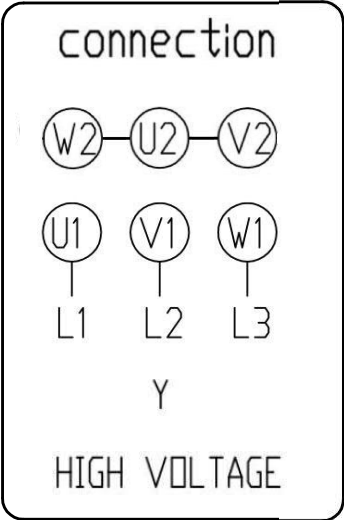
This is an uncontrolled document once printed or downloaded and is subject to change without notice. Date Created:04/19/2022


CAT. NO.
192030.30
192040.30
192021.30
192031.30
192012.30
192106.30
192115.30
192098.30
192107.30



Bases are removable and able to mount in all locations - 6:00, 9:00, 3:00.

		TOLERANCES UNLESS SPECIFIED		 REGAL-BELOIT CORPORATION	DRAWN
		DEC.	INCHES		CHK
		X	±.1		APPD
		XX	±.03	TITLE	SCALE
		XXX	±.005		REF
		XXXX	±.0005	MAT'L	FMF
NO.	REVISION	BY & DATE	CHK	ANG	FINISH
THIS DRAWING IN DESIGN AND DETAIL IS OUR PROPERTY AND MUST NOT BE USED EXCEPT IN CONNECTION WITH OUR WORK ALL RIGHTS OF DESIGN AND INVENTION ARE RESERVED THIS IS AN ELECTRONICALLY GENERATED DOCUMENT - DO NOT SCALE THIS PRINT			RFP	CAD FILE	SIZE
			DIST		DRAWING NO.
					B
					REV.



		TOLERANCES UNLESS SPECIFIED		 REGAL-BELOIT CORPORATION	DRAWN			
		DEC.	INCHES		CHK			
		X	±.1		APPD			
		XX	±.03	TITLE	SCALE			
		XXX	±.005	575V connection drawing Y	REF			
		XXXX	±.0005	MAT'L	FIN			
NO.	REVISION	BY & DATE	CHK	ANG	±1/2	FINISH	PREV	
THIS DRAWING IN DESIGN AND DETAIL IS OUR PROPERTY AND MUST NOT BE USED EXCEPT IN CONNECTION WITH OUR WORK ALL RIGHTS OF DESIGN AND INVENTION ARE RESERVED THIS IS AN ELECTRONICALLY GENERATED DOCUMENT - DO NOT SCALE THIS PRINT				RFP	CAD FILE	SIZE	DRAWING NO.	REV.
				DIST		B		