

PRODUCT INFORMATION PACKET



Model No: 192060.30

Catalog No: 192060.30

DISOLETE REPLACED BY 192242.00 ..1 1/2HP - 1.1kW..3600RPM.D80.TEFC.230/460V.3PH.60HZ.CONT.40C..B3..

.....

Regal and Leeson are trademarks of Regal Rexnord Corporation or one of its affiliated companies.

©2023 Regal Rexnord Corporation, All Rights Reserved. MC017097E





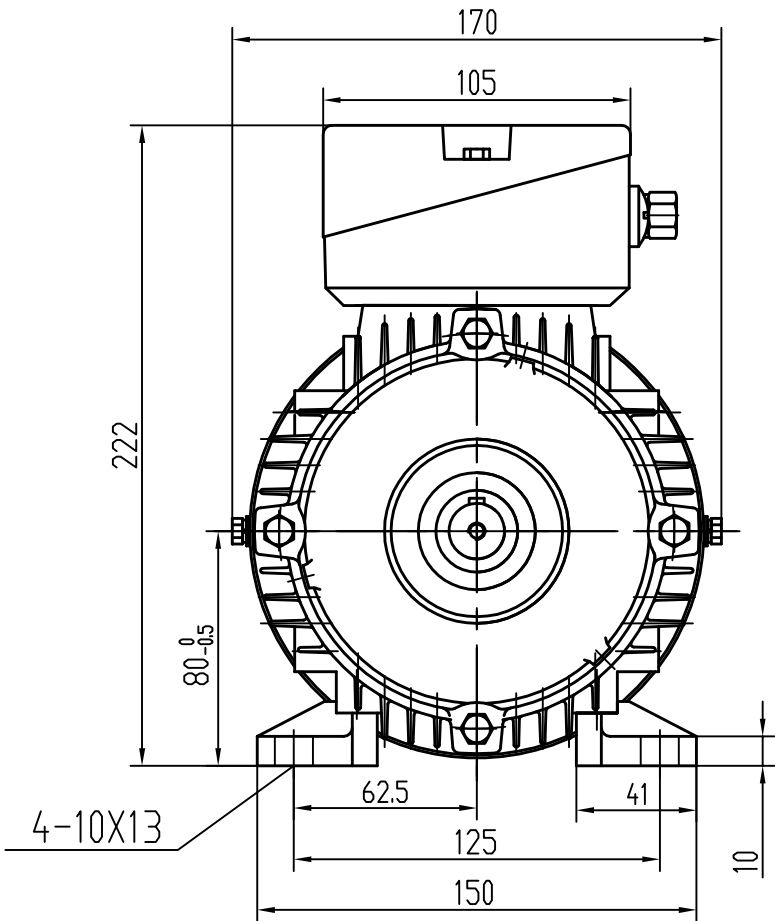
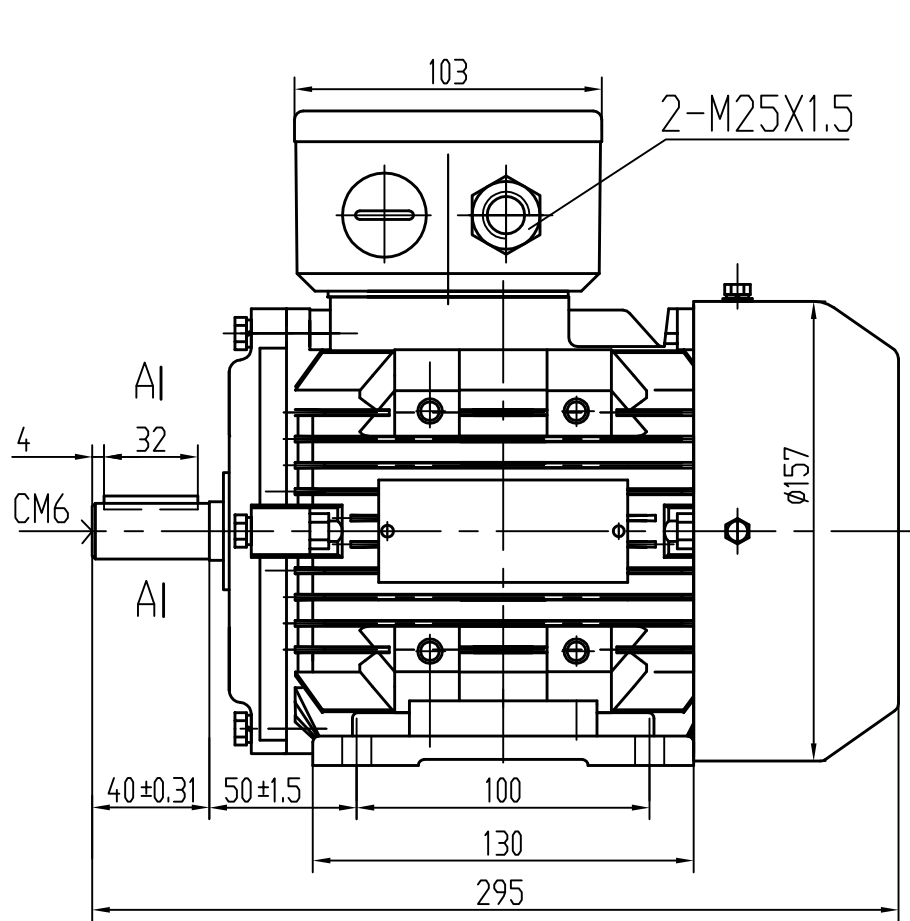
Nameplate Specifications

Phase	3	Output HP	1.50 & 1.50 Hp
Output KW	1.1 & 1.1 kW	Voltage	230/460 & 200/400 V
Speed	3475 & 2875 rpm	Service Factor	1.15 & 1.0
Frame	D80	Enclosure	Totally Enclosed Fan Cooled
Thermal Protection	No Protection	Efficiency	82.5 & 80 %
Ambient Temperature	40 °C	Frequency	60 & 50 Hz
Current	4.2/2.1 & 4.8/2.4 A	Power Factor	81
Duty	Continuous	Insulation Class	F
Design Code	NO DESIGN CODE	KVA Code	J
Drive End Bearing Size	6204	Opp Drive End Bearing Size	6204
UL	Recognized	CSA	Y
CE	Y	IP Code	55
Number of Speeds	1		

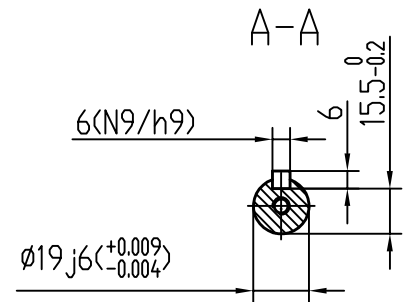
Technical Specifications

Electrical Type	Squirrel Cage Inverter Rated	Starting Method	Line Or Inverter
Poles	2	Rotation	Reversible
Resistance Main	0 Ohms	Mounting	B3
Motor Orientation	Horizontal Or Up Or Down	Drive End Bearing	Ball
Opp Drive End Bearing	Ball	Frame Material	Aluminum
Shaft Type	IEC	Assembly/Box Mounting	F3
Inverter Load	CONSTANT 20:1		
Outline Drawing	OL19206030	Connection Drawing	00546505

This is an uncontrolled document once printed or downloaded and is subject to change without notice. Date Created:06/22/2023

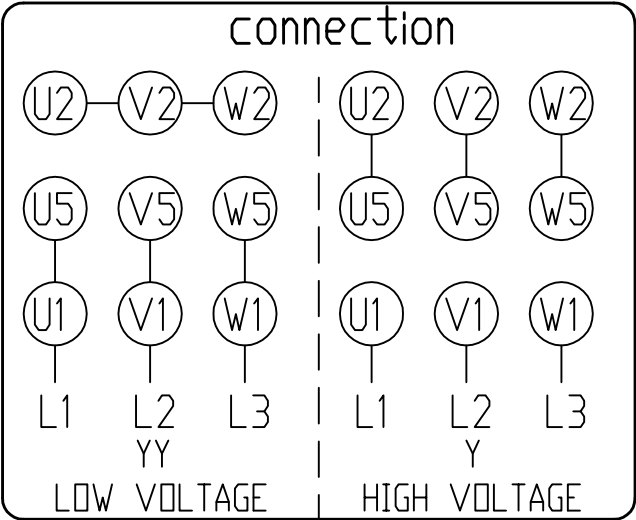


CAT. NO.
192050.30
192060.30
192041.30
192051.30
192022.30
192032.30
192042.30
192124.30
192133.30
192116.30
192125.30



Bases are removable and able to mount in all locations - 6:00, 9:00, 3:00.

		TOLERANCES UNLESS SPECIFIED		REGAL REGAL-BELOIT CORPORATION		DRAWN
		DEC.	INCHES			CHK
		X	±.1	TITLE		APPD
		XX	±.03	OUTLINE DMA2-80 B3		SCALE
		XXX	±.005	MAT'L		REF
		XXXX	±.0005	FINISH		FMF
NO.	REVISION	BY & DATE	CHK	ANG	±1/2	PREV
THIS DRAWING IN DESIGN AND DETAIL IS OUR PROPERTY AND MUST NOT BE USED EXCEPT IN CONNECTION WITH OUR WORK ALL RIGHTS OF DESIGN AND INVENTION ARE RESERVED THIS IS AN ELECTRONICALLY GENERATED DOCUMENT - DO NOT SCALE THIS PRINT				RFP	CAD FILE	SIZE
				DIST		DRAWING NO.
						B
						REV.



		TOLERANCES UNLESS SPECIFIED		REGAL-BELOIT CORPORATION	DRAWN						
		DEC.	INCHES		CHK						
		X	±.1		APPD						
		XX	±.03		SCALE						
		XXX	±.005		REF						
		XXXX	±.0005	MATERIAL	FINISH						
NO.	REVISION	BY & DATE	CHK	ANG	±1/2	FINISH	RFP	CAD FILE	SIZE	DRAWING NO.	REV.
THIS DRAWING IN DESIGN AND DETAIL IS OUR PROPERTY AND MUST NOT BE USED EXCEPT IN CONNECTION WITH OUR WORK ALL RIGHTS OF DESIGN AND INVENTION ARE RESERVED THIS IS AN ELECTRONICALLY GENERATED DOCUMENT - DO NOT SCALE THIS PRINT								B			

EC Declaration of Conformity

The undersigned representing
the manufacturer:

Regal Beloit America
100 East Randolph St.
Wausau, WI 54401

and the authorized representative
established within the Community:

Marathon Electric UK
6F Thistleton Road Ind. Estate
Market Overton
Oakham, Rutland LE15 7PP UK

are committed to providing customers with products that comply with applicable regulations and international protocols to which they are subject, including the requirements of the European Parliament Directive on the Harmonization of the laws relating to electrical equipment designed for use within certain voltage limits (2014/35/EU).

Regal Beloit America declares that the following product(s), to which this declaration relates, are in conformity with the relevant sections of the EC standards listed below.

This statement supersedes any statements previously issued pertaining to the product(s) listed below and is subject to change without notice.

Model No : 192060.30

(Model No. may contain prefix and/or suffix characters)

Catalog No : 192060.30

Rework No : N/A

Directives :

Low Voltage Directive 2014/35/EU

Harmonized Standards Used :

EN 60034-1: 2010 (IEC 60034-1: 2010)

EN 60034-5: 2001/A1:2007 (IEC 60034-5: 2000/A1:2006)

Authorized Representative:



Michael A. Logsdon
Vice President, Technology

Authorized Representative in the Community:



Julian Clark
Marketing Engineer

Created on 12/29/2022

CE 22