

PRODUCT INFORMATION PACKET



Model No: 192055.30
Catalog No: 192055.30
Obsolete,

replaced by 192244.00 -1HP-0.75kW..1800RPM.D80D.TEFC.230/460V.3PH.60HZ.CONT.40C..B3 / B5.....

Regal and Leeson are trademarks of Regal Rexnord Corporation or one of its affiliated companies.
©2023 Regal Rexnord Corporation, All Rights Reserved. MC017097E





Nameplate Specifications

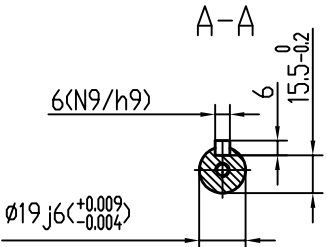
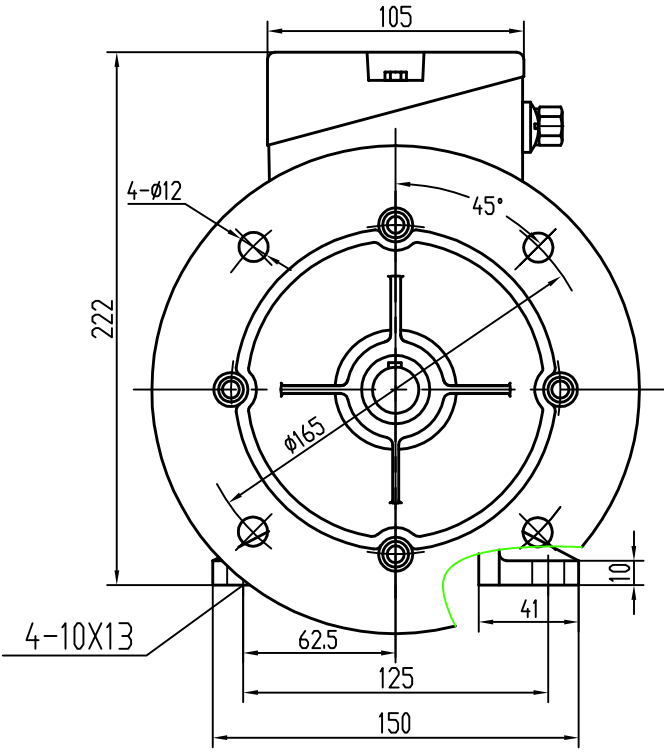
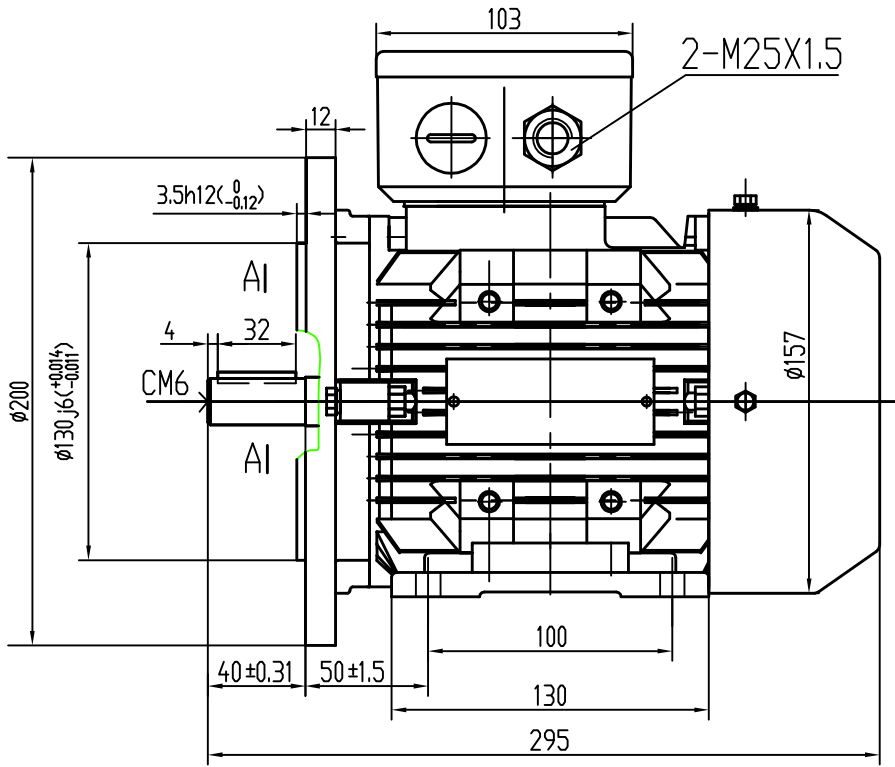
Phase	3	Output HP	1 & 1 Hp
Output KW	0.75 & 0.75 kW	Voltage	230/460 & 200/400 V
Speed	1715 & 1405 rpm	Service Factor	1.15 & 1.0
Frame	D80D	Enclosure	Totally Enclosed Fan Cooled
Thermal Protection	No Protection	Efficiency	80 & 74 %
Ambient Temperature	40 °C	Frequency	60 & 50 Hz
Current	3.2/1.6 & 3.8/1.9 A	Power Factor	73
Duty	Continuous	Insulation Class	F
Design Code	INV	KVA Code	H
Drive End Bearing Size	6204	Opp Drive End Bearing Size	6204
UL	Recognized	CSA	Y
CE	Y	IP Code	55
Number of Speeds	1		

Technical Specifications

Electrical Type	Squirrel Cage Inverter Duty	Starting Method	Inverter Only
Poles	4	Rotation	Reversible
Resistance Main	5.5 Ohms	Mounting	B3
Motor Orientation	Horizontal Or Up Or Down	Drive End Bearing	Ball
Opp Drive End Bearing	Ball	Frame Material	Aluminum
Shaft Type	IEC	Assembly/Box Mounting	F3
Inverter Load	CONSTANT 10:1		
Outline Drawing	OL19205530	Connection Drawing	00546505

This is an uncontrolled document once printed or downloaded and is subject to change without notice. Date Created:06/23/2023

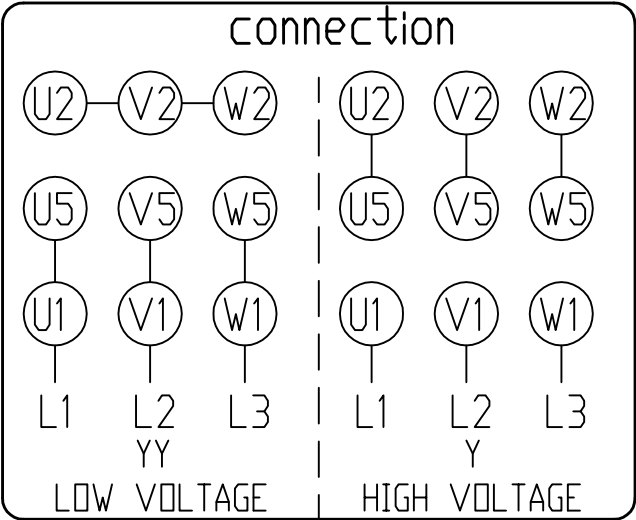
CAT. NO.
192054.30
192064.30
192045.30
192055.30
192026.30
192036.30
192108.40
192117.40
192046.30



Bases are removable and able to mount in all locations - 6:00, 9:00, 3:00.

		TOLERANCES UNLESS SPECIFIED		REGAL REGAL-BELOIT CORPORATION		DRAWN			
		DEC.	INCHES			CHK			
		X	±.1	TITLE		APPD			
		XX	±.03	OUTLINE DMA2-80 B35		SCALE			
		XXX	±.005	REF		REF			
		XXXX	±.0005	MAT'L		FIN			
			±1/2	FINISH		PREV			
NO.	REVISION	BY & DATE	CHK	ANG	RFP	CAD FILE	SIZE	DRAWING NO.	REV.
							B		

THIS DRAWING IN DESIGN AND DETAIL IS OUR PROPERTY AND MUST NOT BE USED EXCEPT IN CONNECTION WITH OUR WORK ALL RIGHTS OF DESIGN AND INVENTION ARE RESERVED THIS IS AN ELECTRONICALLY GENERATED DOCUMENT - DO NOT SCALE THIS PRINT



		TOLERANCES UNLESS SPECIFIED		REGAL-BELOIT CORPORATION	DRAWN
		DEC.	INCHES		CHK
		X	±.1	TITLE 230V / 460V connection drawing YY/Y	APPD
		XX	±.03		SCALE
		XXX	±.005		REF
		XXXX	±.0005	MAT'L	FIN
NO.	REVISION	BY & DATE	CHK	ANG	±1/2
THIS DRAWING IN DESIGN AND DETAIL IS OUR PROPERTY AND MUST NOT BE USED EXCEPT IN CONNECTION WITH OUR WORK ALL RIGHTS OF DESIGN AND INVENTION ARE RESERVED THIS IS AN ELECTRONICALLY GENERATED DOCUMENT - DO NOT SCALE THIS PRINT			RFP	CAD FILE	SIZE DRAWING NDL
			DIST	B	REV.

EC Declaration of Conformity

The undersigned representing
the manufacturer:

Regal Beloit America
100 East Randolph St.
Wausau, WI 54401

and the authorized representative
established within the Community:

Marathon Electric UK
6F Thistleton Road Ind. Estate
Market Overton
Oakham, Rutland LE15 7PP UK

are committed to providing customers with products that comply with applicable regulations and international protocols to which they are subject, including the requirements of the European Parliament Directive on the Harmonization of the laws relating to electrical equipment designed for use within certain voltage limits (2014/35/EU).

Regal Beloit America declares that the following product(s), to which this declaration relates, are in conformity with the relevant sections of the EC standards listed below.

This statement supersedes any statements previously issued pertaining to the product(s) listed below and is subject to change without notice.

Model No : 192055.30

(Model No. may contain prefix and/or suffix characters)

Catalog No : 192055.30

Rework No : N/A

Directives :

Low Voltage Directive 2014/35/EU

Harmonized Standards Used :

EN 60034-1: 2010 (IEC 60034-1: 2010)

EN 60034-5: 2001/A1:2007 (IEC 60034-5: 2000/A1:2006)

Authorized Representative:



Michael A. Logsdon
Vice President, Technology

Authorized Representative in the Community:



Julian Clark
Marketing Engineer

Created on 02/03/2023

CE 23