

PRODUCT INFORMATION PACKET



Model No: 192049.30
Catalog No: 192049.30
Obsolete,

replaced by 192049.00 - .3/4HP-0.55kW..1200RPM.D80C.TEFC.230/460V.3PH.60HZ.CONT.40C..B3 / B14.....



Regal and Leeson are trademarks of Regal Rexnord Corporation or one of its affiliated companies.
©2023 Regal Rexnord Corporation, All Rights Reserved. MC017097E





Nameplate Specifications

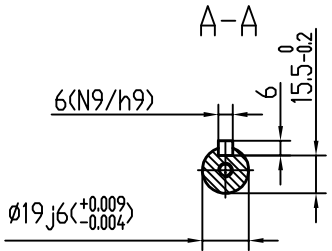
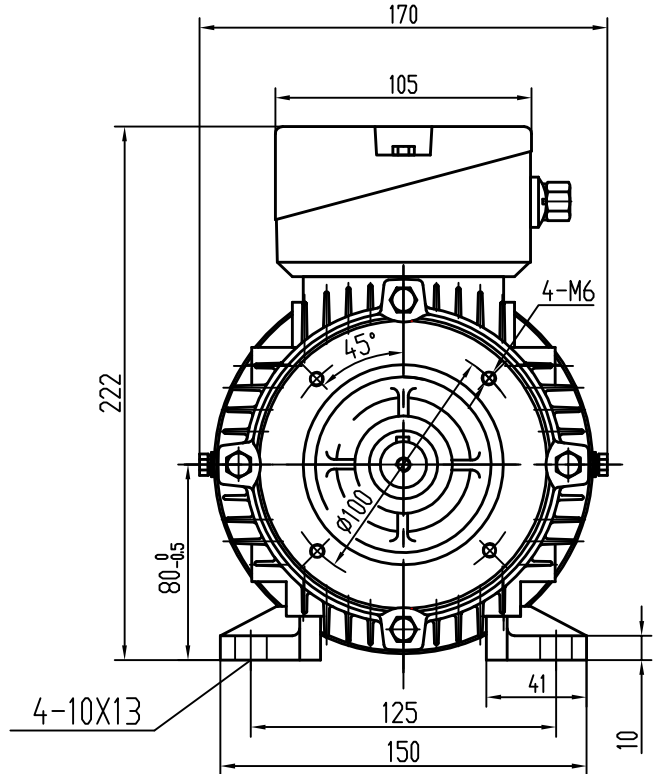
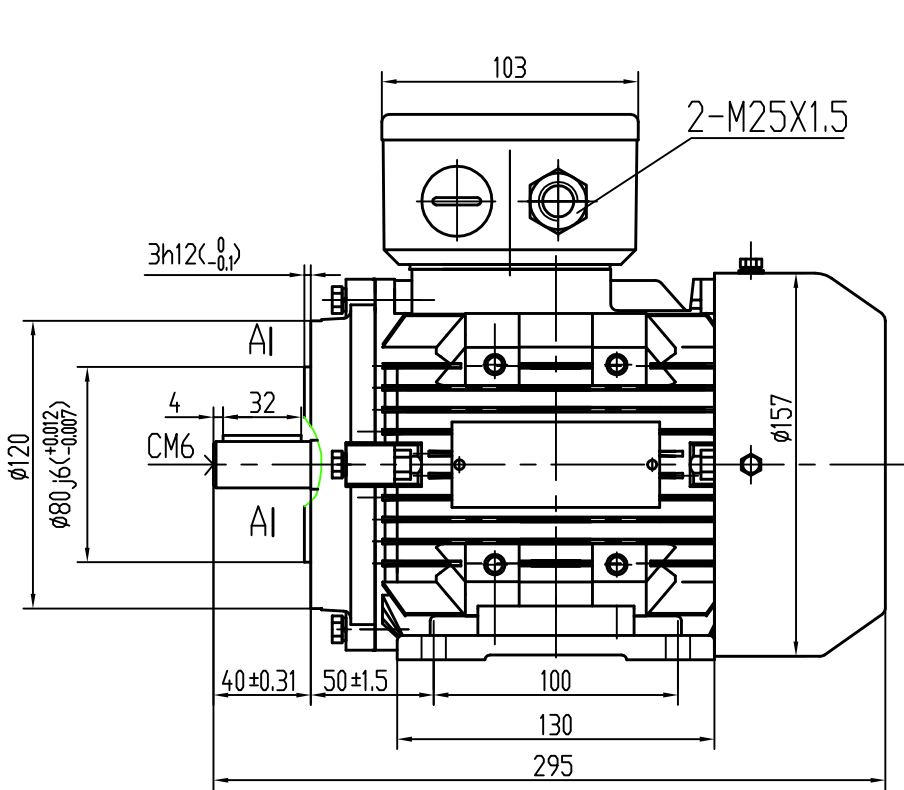
Phase	3	Output HP	0.75 & 0.75 Hp
Output KW	0.56 & 0.56 kW	Voltage	230/460 & 200/400 V
Speed	1125 & 910 rpm	Service Factor	1.15 & 1.0
Frame	D80C	Enclosure	Totally Enclosed Fan Cooled
Thermal Protection	No Protection	Efficiency	72 & 67 %
Ambient Temperature	40 °C	Frequency	60 & 50 Hz
Current	2.8/1.4 & 3.3/1.65 A	Power Factor	67
Duty	Continuous	Insulation Class	F
Design Code	NO DESIGN CODE	KVA Code	F
Drive End Bearing Size	6204	Opp Drive End Bearing Size	6204
UL	Recognized	CSA	Y
CE	Y	IP Code	55
Number of Speeds	1		

Technical Specifications

Electrical Type	Squirrel Cage Inverter Rated	Starting Method	Line Or Inverter
Poles	6	Rotation	Reversible
Resistance Main	8.1 Ohms	Mounting	B3
Motor Orientation	Horizontal Or Up Or Down	Drive End Bearing	Ball
Opp Drive End Bearing	Ball	Frame Material	Aluminum
Shaft Type	IEC	Assembly/Box Mounting	F3
Inverter Load	CONSTANT 10:1		
Outline Drawing	OL19204930	Connection Drawing	00546505

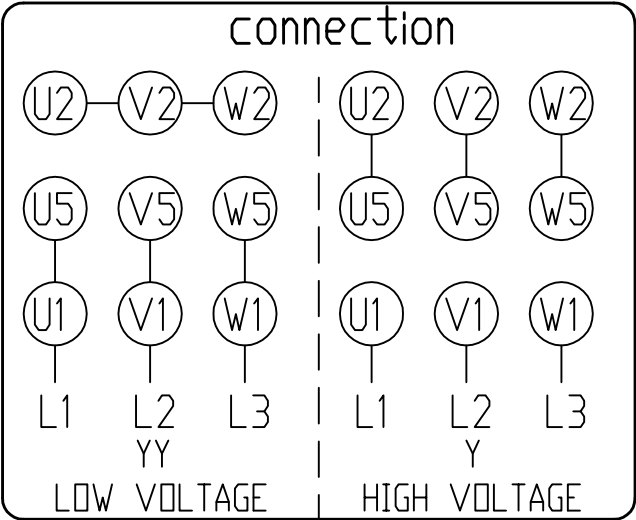
This is an uncontrolled document once printed or downloaded and is subject to change without notice. Date Created:06/22/2023

CAT. NO.
192057.30
192067.30
192048.30
192058.30
192029.30
192039.30
192049.30



Bases are removable and able to mount in all locations - 6:00, 9:00, 3:00.

		TOLERANCES UNLESS SPECIFIED		REGAL REGAL-BELOIT CORPORATION		DRAWN
		DEC. INCHES				CHK
		X ±.1		TITLE		APPD
		XX ±.03		OUTLINE DMA2-80 B34		SCALE
		XXX ±.005		MAT'L		REF
		XXXX ±.0005		FINISH		FMF
NO.	REVISION	BY & DATE	CHK	ANG	DIST	PREV
THIS DRAWING IN DESIGN AND DETAIL IS OUR PROPERTY AND MUST NOT BE USED EXCEPT IN CONNECTION WITH OUR WORK ALL RIGHTS OF DESIGN AND INVENTION ARE RESERVED THIS IS AN ELECTRONICALLY GENERATED DOCUMENT - DO NOT SCALE THIS PRINT						SIZE
RFP						DRAWING NO.
CAD FILE						B
						REV.



		TOLERANCES UNLESS SPECIFIED		REGAL-BELOIT CORPORATION	DRAWN						
		DEC.	INCHES		CHK						
		X	±.1		APPD						
		XX	±.03		SCALE						
		XXX	±.005		REF						
		XXXX	±.0005	FIN							
NO.	REVISION	BY & DATE	CHK	ANG	±1/2	FINISH	RFP	CAD FILE	SIZE	DRAWING NO.	REV.
THIS DRAWING IN DESIGN AND DETAIL IS OUR PROPERTY AND MUST NOT BE USED EXCEPT IN CONNECTION WITH OUR WORK ALL RIGHTS OF DESIGN AND INVENTION ARE RESERVED THIS IS AN ELECTRONICALLY GENERATED DOCUMENT - DO NOT SCALE THIS PRINT								B			