

PRODUCT INFORMATION PACKET

marathon[®]
Motors

Model No: 184TTWW4028

Catalog No: N658B

5 HP Washdown Motor, 3 phase, 1800 RPM, 230/460 V, 184TC Frame, TEFC
General Purpose Motors

Regal and Marathon are trademarks of Regal Rexnord Corporation or one of its affiliated companies.
©2021 Regal Rexnord Corporation, All Rights Reserved. MC017097E

The logo for Regal Rexnord, featuring a stylized 'R' icon followed by the text 'RegalRexnord'.



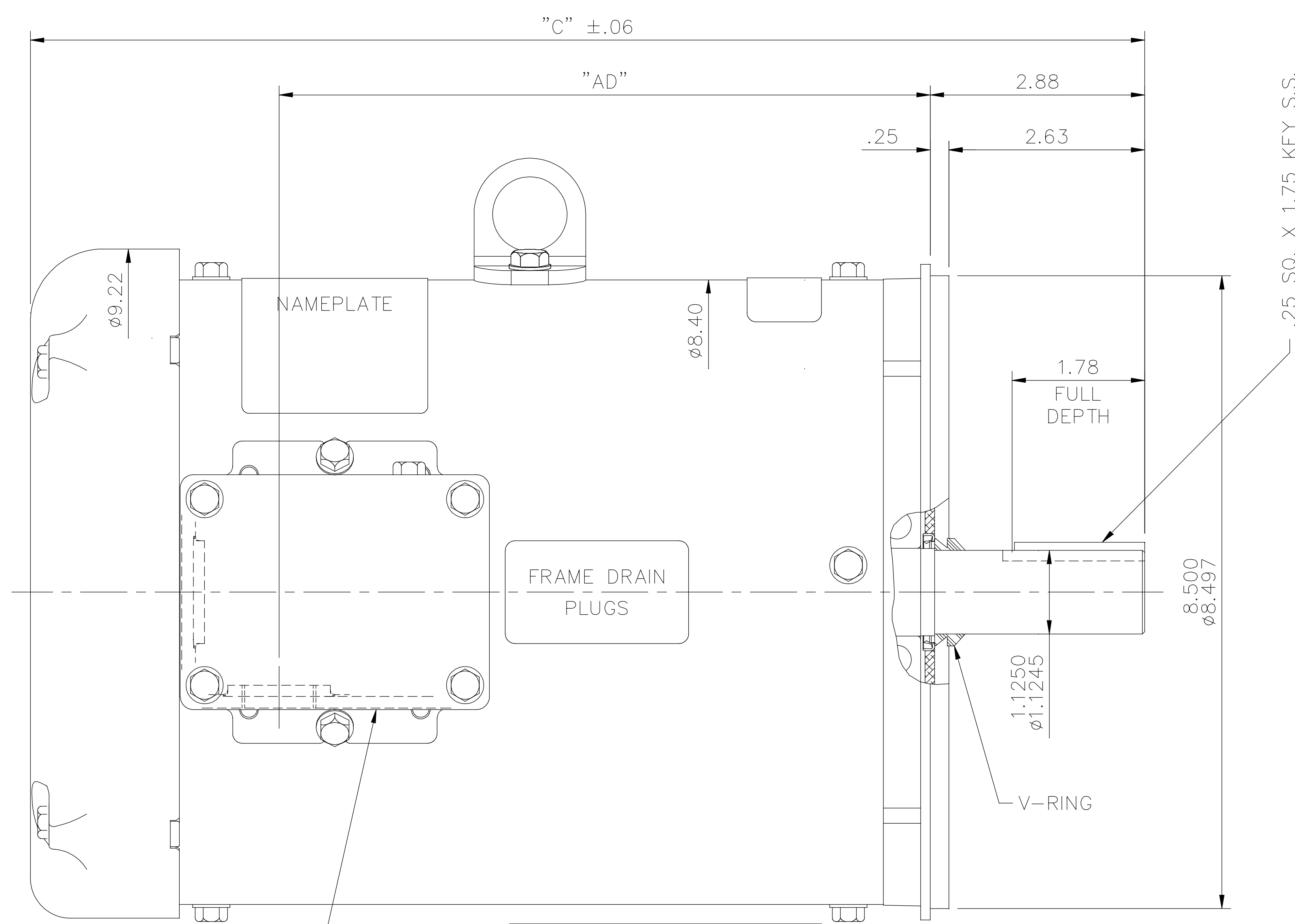
Nameplate Specifications

Output HP	5 Hp	Output KW	3.7 kW
Frequency	60 Hz	Voltage	230/460 V
Current	13.0/6.5 A	Speed	1760 rpm
Service Factor	1.15	Phase	3
Efficiency	87.5 %	Power Factor	82.3
Duty	Continuous	Insulation Class	F
Design Code	B	KVA Code	J
Frame	184TC	Enclosure	Totally Enclosed Fan Cooled
Thermal Protection	No	Ambient Temperature	40 °C
Drive End Bearing Size	6207	Opp Drive End Bearing Size	6205
UL	Recognized	CSA	Y
CE	Y	IP Code	55
Number of Speeds	1		

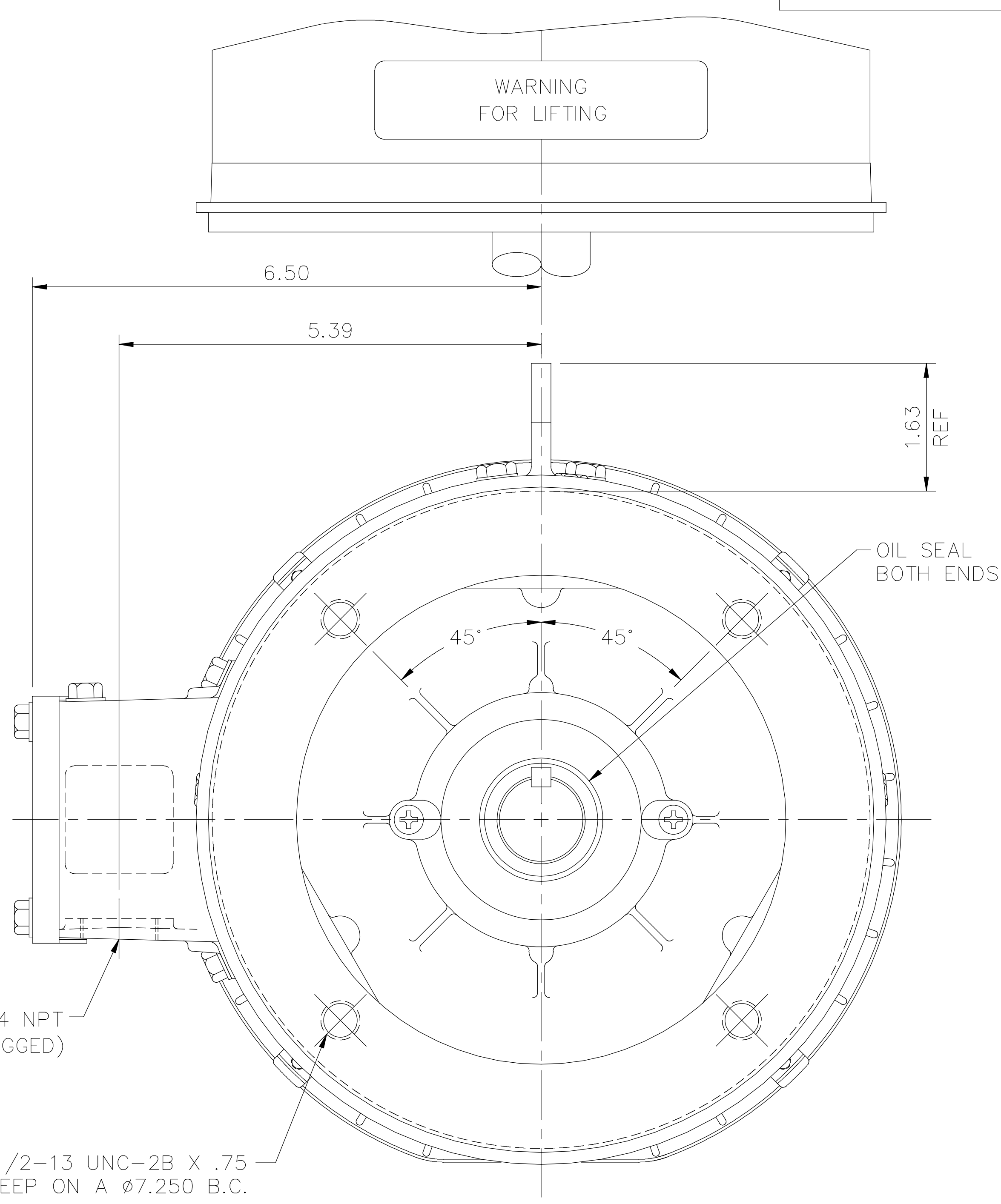
Technical Specifications

Electrical Type	Squirrel Cage Induction Run	Starting Method	Across The Line
Poles	4	Rotation	Reversible
Resistance Main	3.08 Ohms	Mounting	Round
Motor Orientation	Horizontal	Drive End Bearing	Ball
Opp Drive End Bearing	Ball	Frame Material	Rolled Steel
Shaft Type	T	Overall Length	14.47 in
Frame Length	9.00 in	Shaft Diameter	1.125 in
Shaft Extension	2.75 in	Assembly/Box Mounting	F1/F2 Capable
Outline Drawing	035481-900	Connection Drawing	005010.01ME

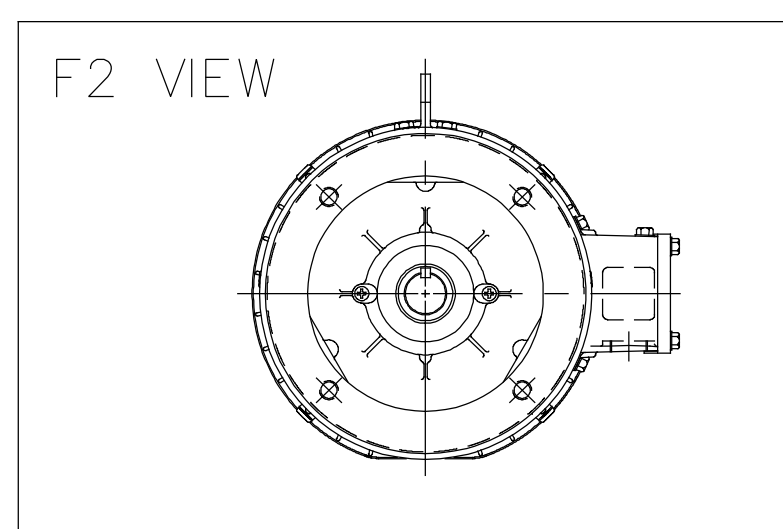
This is an uncontrolled document once printed or downloaded and is subject to change without notice. Date Created:10/12/2021



.25 SQ. X 1.75 KEY S.S.



DECAL CONNECTION UNDER COVER (WHEN REQ'D)



MAXIMUM FACE RUNOUT TO BE .004 T.I.R.
 MAXIMUM PILOT ECCENTRICITY TO BE .004 T.I.R.
 PERMISSIBLE SHAFT RUNOUT TO BE .002 T.I.R.

- SPECIAL FEATURES:**
- 1) SHAFT SEALS & V-RING
 - 2) DRAIN HOLES IN FRAME & CONDUIT BOX
 - 3) STAINLESS STEEL SHAFT, HARDWARE & NAMEPLATE
 - 4) GASKETS THROUGHOUT

DASH NO.	"C"	"AD"
900	14.47	8.25
950	14.97	8.75
1000	15.47	9.25
1050	15.97	9.75
1100	16.47	10.25
1150	16.97	10.75

		TOLERANCES UNLESS SPECIFIED		MARATHON ELECTRIC		DRAWN LST 10/15/03	
		DEC.	INCHES			CHK	
		.X	±.1			APPD RW 10/15/03	
03	F2 VIEW ADDED	NK05-24-2019	.XX	±.03	TITLE		SCALE 1=2
02	PLUGGED CON BOX DR HOLE WAS IN BOTTOM PER 91496	GWS 12/17/07	PG	.XXX	±.005	REF 035461ME	
01	ADDED "CE" DECAL; ECR 84920	KLS 11/30/05	RDW	.XXXX	±.0005	FMF 139064	
NO.	REVISION	BY & DATE	CHK	ANG	±1/2'	FINISH	PREV
			RFP			CAD FILE 035481	SIZE DRAWING NO.
			DIST			B	035481
							REV. 03

THIS DRAWING IN DESIGN AND DETAIL IS OUR PROPERTY AND MUST NOT BE USED EXCEPT IN CONNECTION WITH OUR WORK ALL RIGHTS OF DESIGN AND INVENTION ARE RESERVED THIS IS AN ELECTRONICALLY GENERATED DOCUMENT - DO NOT SCALE THIS PRINT

VIEW FROM OUTSIDE OF MOTOR AT SWITCH END.



VOLTAGE	L1	L2	L3	JOIN & INSULATE
HIGH	T1	T2	T3	(T4,T7) (T5,T8) (T6,T9)
LOW	T1,T7	T2,T8	T3,T9	T4,T5,T6

		TOLERANCES UNLESS SPECIFIED		DRAWN RDW 04/12/02					
		DEC.	INCHES	CHK					
		.X	±.1	APPD					
		.XX	±.01	SCALE 1=1					
		.XXX	±.005	REF FIG.2-51					
		.XXXX	±.0005	FMF					
NO.	REVISION	BY & DATE	CHK	ANG	FINISH	PREV			
				±1/2'					
THIS DRAWING IN DESIGN AND DETAIL IS OUR PROPERTY AND MUST NOT BE USED EXCEPT IN CONNECTION WITH OUR WORK ALL RIGHTS OF DESIGN AND INVENTION ARE RESERVED THIS IS AN ELECTRONICALLY GENERATED DOCUMENT - DO NOT SCALE THIS PRINT			RFP	04/12/02	CAD FILE	00501001ME	SIZE	DRAWING NO.	REV.
			DIST				A	005010-01ME	



TITLE EXTERNAL WIRING DIAGRAM
3 PHASE W/O PROTECTOR
MAT'L. DECAL - 004014