

PRODUCT INFORMATION PACKET

marathon®
Motors

Model No: 184TTWW14005

Catalog No: N208

PowerWash™ XT Wash Down Duty™ General Purpose Motor, 5 & 3 HP, 3 Ph, 60 & 50 Hz,
230/460 & 190/380 V, 3600 & 3000 RPM, 184JM Frame, TEFC



Regal and Marathon are trademarks of Regal Rexnord Corporation or one of its affiliated companies.

©2023 Regal Rexnord Corporation, All Rights Reserved. MC017097E

RegalRexnord

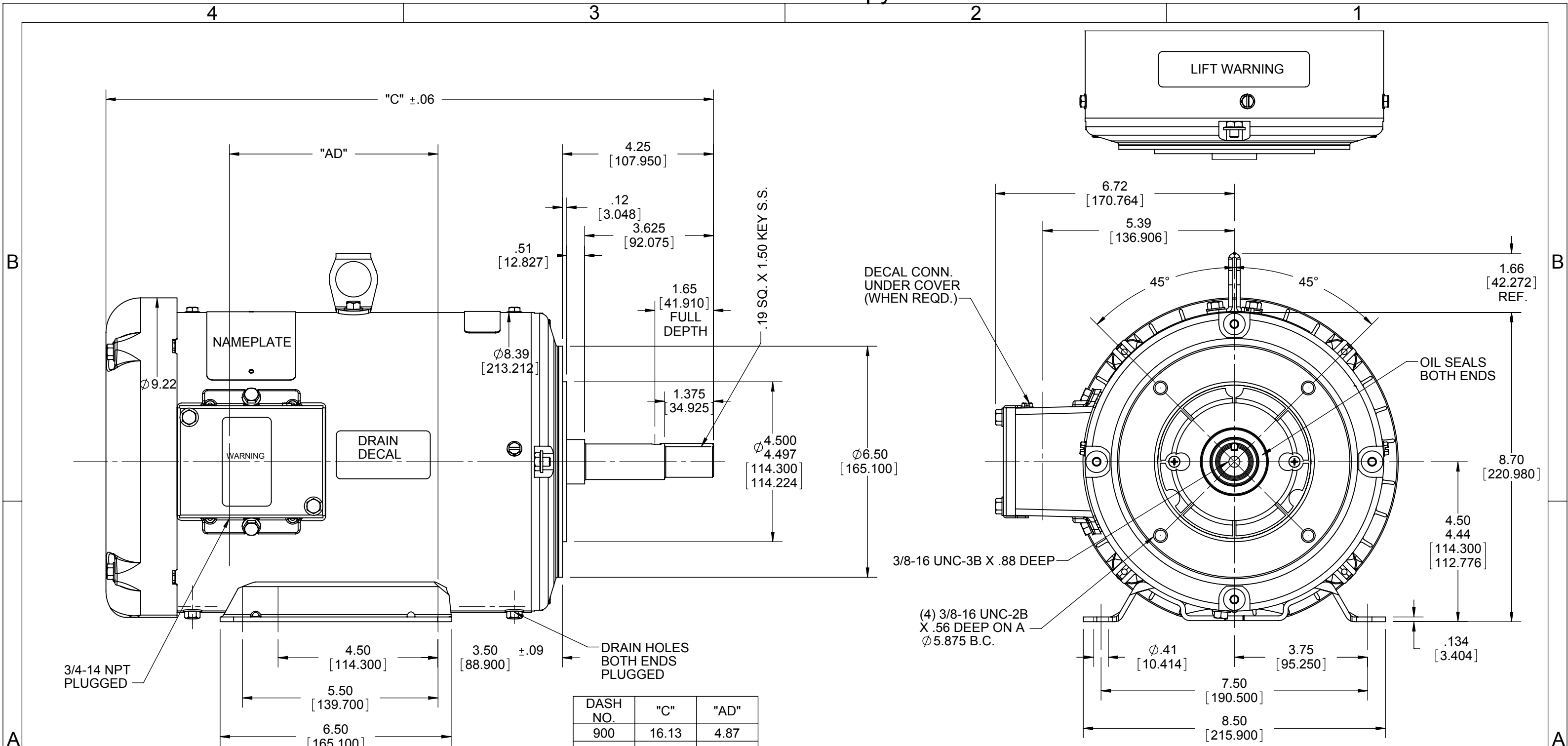


Nameplate Specifications

Phase	3	Output HP	5 & 3 Hp
Output KW	3.7 & 2.2 kW	Voltage	230/460 & 190/380 V
Speed	3510 & 2920 rpm	Service Factor	1.15 & 1.15
Frame	184JM	Enclosure	Totally Enclosed Fan Cooled
Thermal Protection	No Protection	Efficiency	87.5 %
Ambient Temperature	40 °C	Frequency	60 & 50 Hz
Current	12/6 & 8.6/4.3 A	Power Factor	89
Duty	Continuous	Insulation Class	F
Design Code	B	KVA Code	J
Drive End Bearing Size	6207	Opp Drive End Bearing Size	6205
UL	Recognized	CSA	Y
CE	Y	IP Code	55
Number of Speeds	1		

Technical Specifications

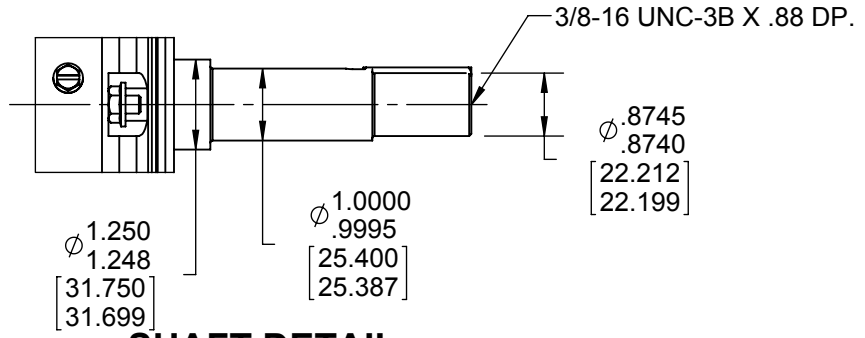
Electrical Type	Squirrel Cage Induction Run	Starting Method	Across The Line
Poles	2	Rotation	Reversible
Resistance Main	.5 Ohms	Mounting	Rigid Base
Motor Orientation	Horizontal	Drive End Bearing	Ball
Opp Drive End Bearing	Ball	Frame Material	Rolled Steel
Shaft Type	JM	Overall Length	16.13 in
Frame Length	9.00 in	Shaft Diameter	0.875 in
Shaft Extension	4.28 in	Assembly/Box Mounting	F1 Only
Connection Drawing	005010.01ME	Outline Drawing	035480ME-900



DASH NO.	"C"	"AD"
900	16.13	4.87
950	16.63	5.37
1000	17.13	5.87
1050	17.63	6.37
1100	18.13	6.87
1150	18.63	7.37

SPECIAL FEATURES:
 SHAFT SEAL & V-RING
 DRAIN HOLES IN FRAME & CONDUIT BOX
 STAINLESS STEEL SHAFT, HARDWARE & NAMEPLATE
 GASKETS THROUGHOUT

MAXIMUM FACE RUNOUT TO BE .004 T.I.R.
 MAXIMUM PILOT ECCENTRICITY TO BE .004 T.I.R.
 PERMISSIBLE SHAFT RUNOUT TO BE .002 T.I.R.



SHAFT DETAIL

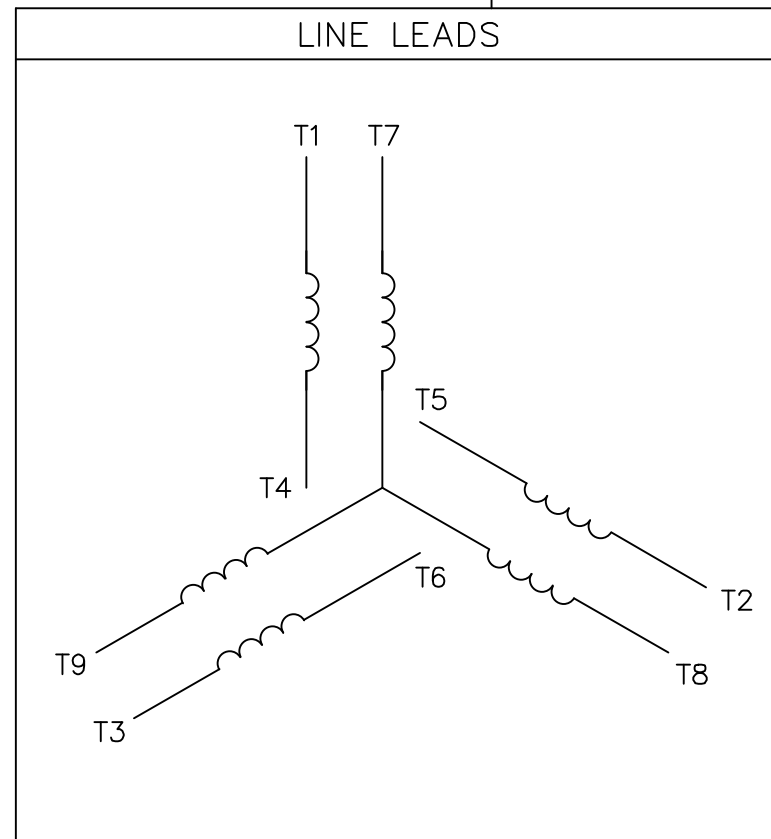
DRAWING REVISION A	REVISION BY PVR	DATE 03/12/14
ECO-0047297	APPROVED BY JD	DATE 03/12/14
ECO DESCRIPTION NEW DRWING CREATED COPYRIGHT REGAL BELOIT AMERICA, INC. ALL RIGHTS RESERVED. PROPRIETARY AND CONFIDENTIAL INFORMATION - THIS DOCUMENT IS THE PROPERTY OF REGAL BELOIT AMERICA, INC. ("OWNER") AND CONTAINS OWNER'S PROPRIETARY INFORMATION. ANY PERSON, CORPORATION OR OTHER FIRM RECEIVING IT IS DEEMED, BY RECEIVING IT, TO AGREE THAT IT, AND/OR ANY PART OF IT, SHALL NOT BE DISCLOSED TO ANY PERSON, CORPORATION OR OTHER ENTITY, DUPLICATED, AND/OR USED, EXCEPT AS EXPRESSLY APPROVED IN WRITING IN ADVANCE BY OWNER. THIS DOCUMENT SHALL BE RETURNED TO OWNER UPON REQUEST. IT MAY BE SUBJECT TO CERTAIN RESTRICTIONS UNDER APPLICABLE EXPORT CONTROL LAWS AND REGULATIONS.		

TOLERANCES UNLESS OTHERWISE SPECIFIED:			
DEC.	INCH	mm	ANGLE
.X	±0.1	[±2.5]	±0.5°
.XX	±0.03	[±0.76]	
.XXX	±0.005	[±0.127]	
.XXXX	±0.0005	[±0.0127]	
REMOVE BURRS & BREAK SHARP EDGES: .003/.015 [0.076/.381] CORNER FILLETS: .02 [0.51] MACHINED SURFACES: 125 INCH 3.2 mm SHOWN IN [BRACKETS]			

DRAWN BY PVR	DATE 03/12/14
APPROVED BY JD	DATE 03/12/14
PROCESS/FINISH	THIRD ANGLE PROJECTION

Regal Beloit America, Inc.	
DESCRIPTION OUTLINE TEFC - "JM" PUMP MOUNT	
MATERIAL WASHGUARD	
SIZE B	DRAWING NUMBER 035480ME
SHEET 1 OF 1	

VIEW FROM OUTSIDE OF MOTOR AT SWITCH END.



VOLTAGE	L1	L2	L3	JOIN & INSULATE
HIGH	T1	T2	T3	(T4,T7) (T5,T8) (T6,T9)
LOW	T1,T7	T2,T8	T3,T9	T4,T5,T6

		TOLERANCES UNLESS SPECIFIED		DRAWN RDW 04/12/02		
		DEC.	INCHES	CHK		
		.X	±.1	APPD		
		.XX	±.01	SCALE 1=1		
		.XXX	±.005	REF FIG.2-51		
		.XXXX	±.0005	FMF		
NO.	REVISION	BY & DATE	CHK	ANG	FINISH	PREV
			RFP	04/12/02	CAD FILE 00501001ME	SIZE A
					DIST	DRAWING NO. 005010-01ME
						REV.

THIS DRAWING IN DESIGN AND DETAIL IS OUR PROPERTY AND MUST NOT BE USED EXCEPT IN CONNECTION WITH OUR WORK ALL RIGHTS OF DESIGN AND INVENTION ARE RESERVED THIS IS AN ELECTRONICALLY GENERATED DOCUMENT - DO NOT SCALE THIS PRINT