

PRODUCT INFORMATION PACKET

Model No: 184TTWD16002

Catalog No: N445A

PowerWash™SXT-Plus Wash Down Duty™ General Purpose Motor, 5 & 5 HP, 3 Ph, 60 & 50 Hz,
230/460 & 190/380 V, 3600 & 3000 RPM, 184TC Frame, TEFC



Regal and Marathon are trademarks of Regal Rexnord Corporation or one of its affiliated companies.

©2023 Regal Rexnord Corporation, All Rights Reserved. MC017097E

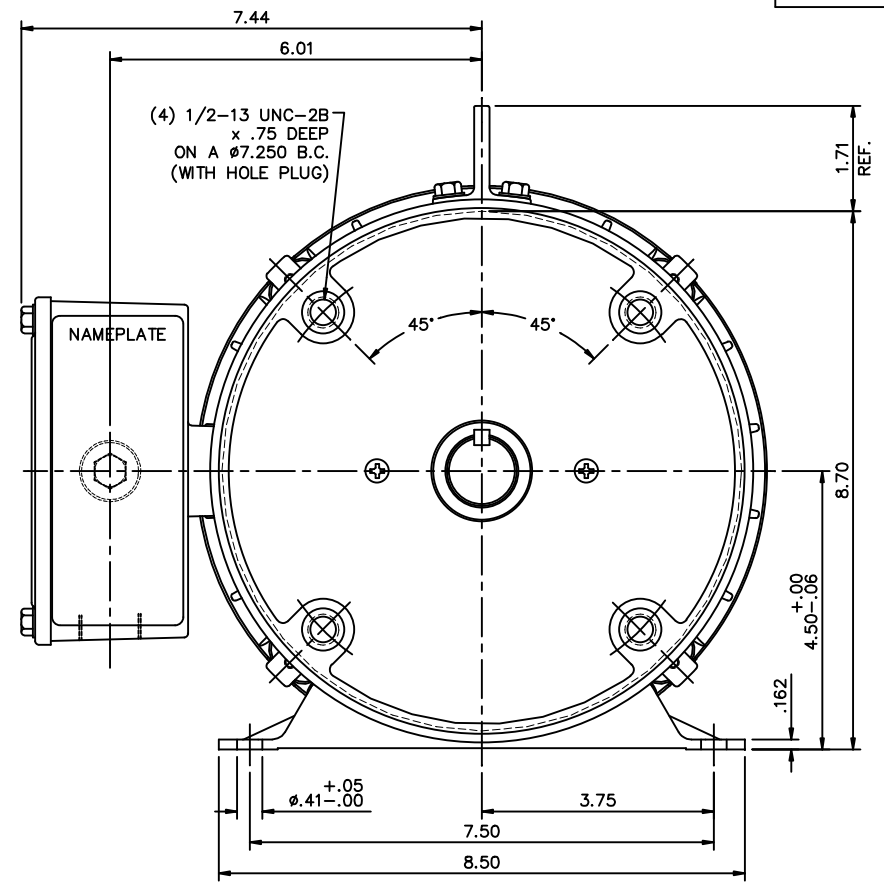
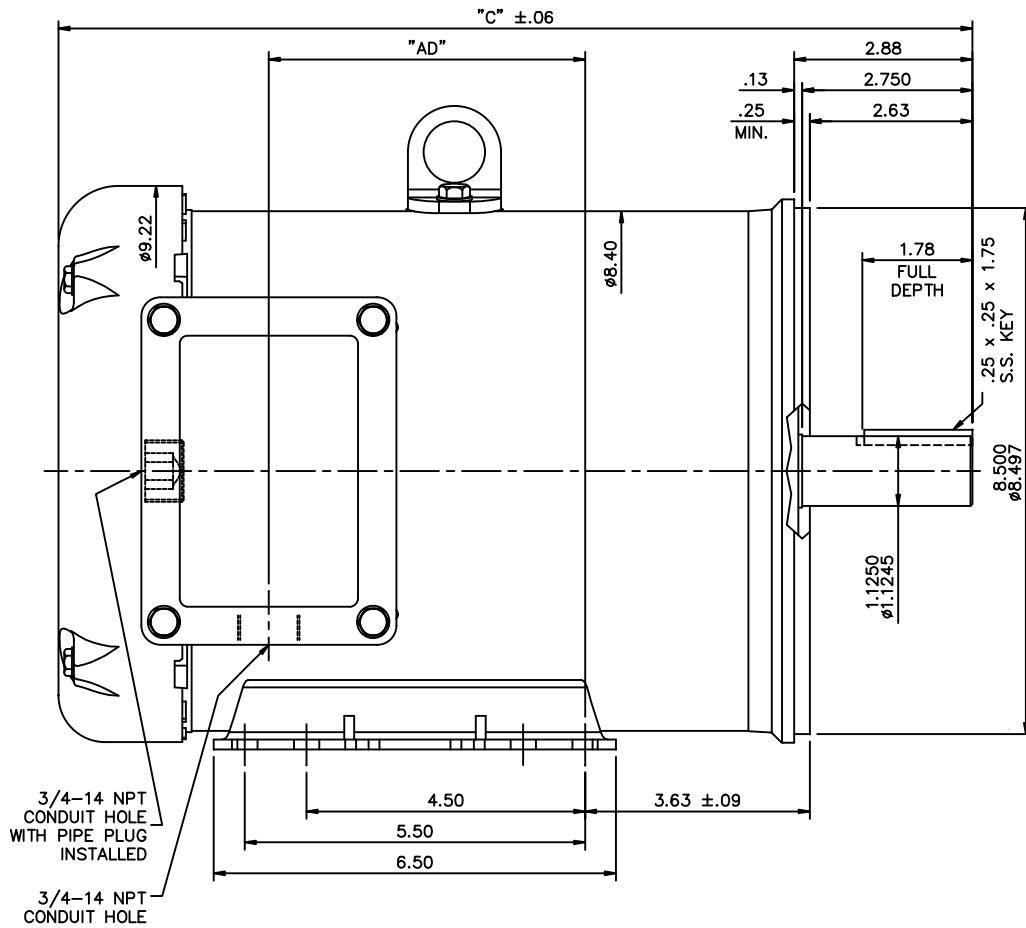


Nameplate Specifications

Phase	3	Output HP	5 & 5 Hp
Output KW	3.7 & 3.7 kW	Voltage	230/460 & 190/380 V
Speed	3515 & 2910 rpm	Service Factor	1.25 & 1.25
Frame	184TC	Enclosure	Totally Enclosed Fan Cooled
Thermal Protection	No Protection	Efficiency	88.5 & 88.5 %
Ambient Temperature	40 °C	Frequency	60 & 50 Hz
Current	12/6 & 14/7 A	Power Factor	89
Duty	Continuous	Insulation Class	F
Design Code	B	KVA Code	K
Drive End Bearing Size	6207	Opp Drive End Bearing Size	6207
UL	Recognized	CSA	Y
CE	Y	IP Code	56
Number of Speeds	1		

Technical Specifications

Electrical Type	Squirrel Cage Inverter Rated	Starting Method	Line Or Inverter
Poles	2	Rotation	Reversible
Resistance Main	2.32 Ohms	Mounting	Rigid Base
Motor Orientation	Horizontal	Drive End Bearing	Ball
Opp Drive End Bearing	Ball	Frame Material	Stainless Steel
Shaft Type	T	Overall Length	15.27 in
Frame Length	9.50 in	Shaft Diameter	1.125 in
Shaft Extension	2.88 in	Assembly/Box Mounting	F1 ONLY
Inverter Load	CONSTANT 3:1		
Outline Drawing	035437ME-950	Connection Drawing	005010.01ME



SPECIAL FEATURES:

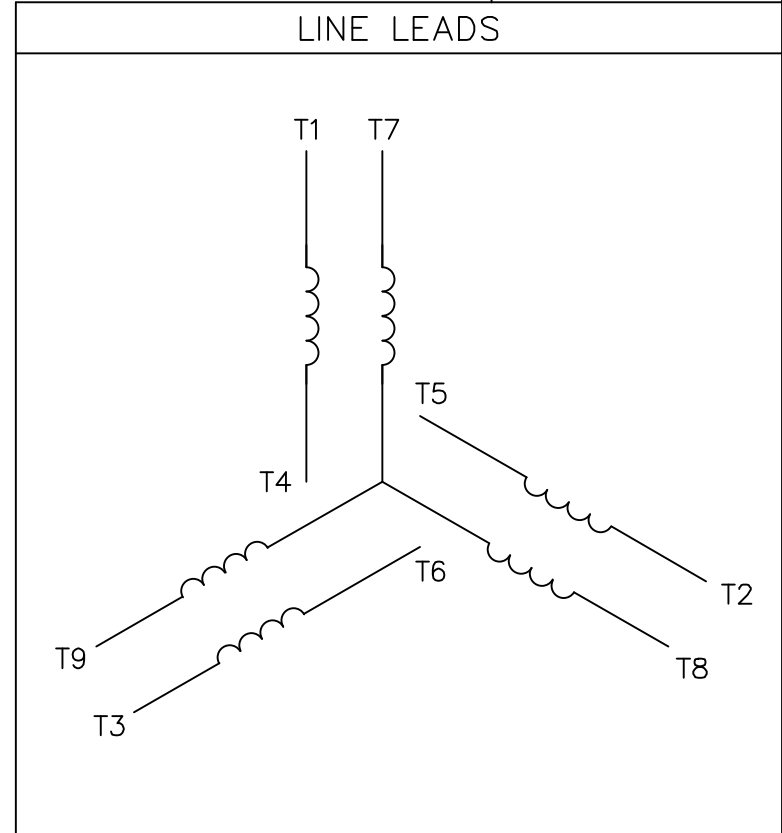
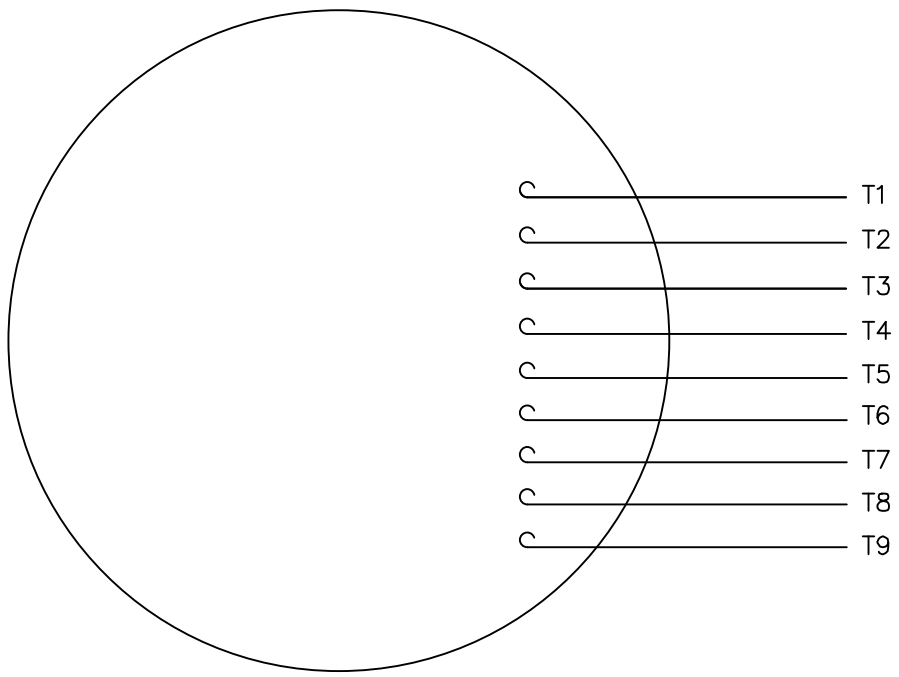
- 1) DOUBLE LIP OIL SEALS BOTH ENDS.
- 2) GASKETS THROUGHOUT.
- 3) O-RING SEALED ENDBELLS & THRU BOLTS.
- 4) LOCKED BEARING W/SEALED LOCK SCREWS.

DASH NO.	"C"	"AD"
900	14.77	5.11
950	15.27	5.61

MAXIMUM FACE RUNOUT TO BE .004 T.I.R.
 MAXIMUM PILOT ECCENTRICITY TO BE .004 T.I.R.
 PERMISSIBLE SHAFT RUNOUT TO BE .002 T.I.R.

		TOLERANCES UNLESS SPECIFIED		MARATHON ELECTRIC		DRAWN
		DEC.	INCHES			JJK 04/04/02
		.X	±.1			CHK
		.XX	±.03	TITLE		APPD
02	14.77 WAS 14.87, 15.27 WAS 15.37	.XXX	±.005	OUTLINE - 180TC FRAME		SCALE 1=2
01	ADDED HOLE PLUG PER ECO 03-617	.XXXX	±.0005	TEFC - RIGID "C"		REF OL6131167
NO. REVISION		CHK	ANG ±7'30"	MAT'L STAINLESS STEEL DUCK		FMF G131901.00
		BY & DATE		FINISH		PREV
THIS DRAWING IN DESIGN AND DETAIL IS OUR PROPERTY AND MUST NOT BE USED EXCEPT IN CONNECTION WITH OUR WORK ALL RIGHTS OF DESIGN AND INVENTION ARE RESERVED THIS IS AN ELECTRONICALLY GENERATED DOCUMENT - DO NOT SCALE THIS PRINT		RFP		CAD FILE	035437ME	SIZE B
		DIST	NLV			DRAWING NO. 035437ME
						REV. 02

VIEW FROM OUTSIDE OF MOTOR AT SWITCH END.



VOLTAGE	L1	L2	L3	JOIN & INSULATE
HIGH	T1	T2	T3	(T4,T7) (T5,T8) (T6,T9)
LOW	T1,T7	T2,T8	T3,T9	T4,T5,T6

		TOLERANCES UNLESS SPECIFIED		MARATHON ELECTRIC		DRAWN RDW 04/12/02	
		DEC.	INCHES			CHK	
		.X	±.1			APPD	
		.XX	±.01	TITLE		SCALE 1=1	
		.XXX	±.005	EXTERNAL WIRING DIAGRAM 3 PHASE W/O PROTECTOR		REF FIG.2-51	
		.XXXX	±.0005	MAT'L.		FMF	
				DECAL - 004014		PREV	
NO.	REVISION	BY & DATE	CHK	ANG	±1/2'	FINISH	
			RFP	04/12/02		CAD FILE	00501001ME
			DIST			SIZE	A
						DRAWING NO.	005010-01ME
						REV.	

THIS DRAWING IN DESIGN AND DETAIL IS OUR PROPERTY AND MUST NOT BE USED EXCEPT IN CONNECTION WITH OUR WORK ALL RIGHTS OF DESIGN AND INVENTION ARE RESERVED THIS IS AN ELECTRONICALLY GENERATED DOCUMENT - DO NOT SCALE THIS PRINT

CERTIFICATION DATA SHEET

Model#: 184TTWD16002 AA
CONN. DIAGRAM: 005010.01ME
OUTLINE: 035437ME-950

WINDING#: T82103 FR 3
ASSEMBLY: F1 ONLY

TYPICAL MOTOR PERFORMANCE DATA

HP	KW	SYNC. RPM	F.L. RPM	FRAME	ENCLOSURE	KVA CODE	DESIGN
5&5	3.7&3.7	3600	3515&2910	184TC	TEFC	K	B

PH	Hz	VOLTS	FL AMPS	START TYPE	DUTY	INSL	S.F	AMB°C	ELEVATION
3	60/50	230/460#190/ 380	12/6&14/7	LINE OR INVERTER	CONTINUOU S	F4	1.25/1.25	40	3300

FULL LOAD EFF: 88.5&88.5	3/4 LOAD EFF: 89.1	1/2 LOAD EFF: 87.9	GTD. EFF	ELEC. TYPE	NO LOAD AMPS
FULL LOAD PF: 89&92.5	3/4 LOAD PF: 87.5	1/2 LOAD PF: 81.1	0	SQ CAGE INV RATED	3.4 / 1.7

F.L. TORQUE	LOCKED ROTOR AMPS	L.R. TORQUE	B.D. TORQUE	F.L. RISE°C
7.5 LB-FT	94 / 47	16 LB-FT 213	26 LB-FT 347	0

SOUND PRESSURE @ 3 FT.	SOUND POWER	ROTOR WK^2	MAX. WK^2	SAFE STALL TIME	STARTS /HOUR	APPROX. MOTOR WGT
0 dBA	10 dBA	0 LB-FT^2	0 LB-FT^2	10 SEC.	0	0 LBS.

***** SUPPLEMENTAL INFORMATION *****

DE BRACKET TYPE	ODE BRACKET TYPE	MOUNT TYPE	ORIENTATION	SEVERE DUTY	HAZARDOUS LOCATION	DRIP COVER	SCREENS	PAINT
C-FACE	STANDARD	RIGID	HORIZONTAL	FALSE	NONE	FALSE	NONE	NO PAINT

BEARINGS		GREASE	SHAFT TYPE	SPECIAL DE	SPECIAL ODE	SHAFT MATERIAL	FRAME MATERIAL
DE	OPE						
BALL	BALL	POLYREX EM	T	NONE	NONE	303 STAINLESS (C-501)	STAINLESS STEEL
6207	6207						

THERMO-PROTECTORS				THERMISTORS	CONTROL	SPACE /n HEATERS
THERMOSTATS	PROTECTORS	WDG RTDs	BRG RTDs			
NONE	NOT	NONE	NONE	NONE	FALSE	NONE VOLTS

If Inverter equals NONE, contact factory for further information

INVERTER TORQUE: CONSTANT 3:1
INV. HP SPEED RANGE: NONE
ENCODER: NONE
NONE NONE
NONE NONE PPR
BRAKE: NONE NONE
NONE P/N NONE
NONE NONE
- FT-LB NONE V NONE Hz

*
N
O
T
E
S
*

DATE: 06/21/2017 11:32:19 AM
 FORM 3531 REV.3 02/07/99
 ** Subject to change without notice.

Data Sheet

Date: 29-06-2017
Customer: _____
Attention: _____
Submitted by: FAREEDA DUDEKULA



184TTWD16002

Submittal

Data @ **460 V**

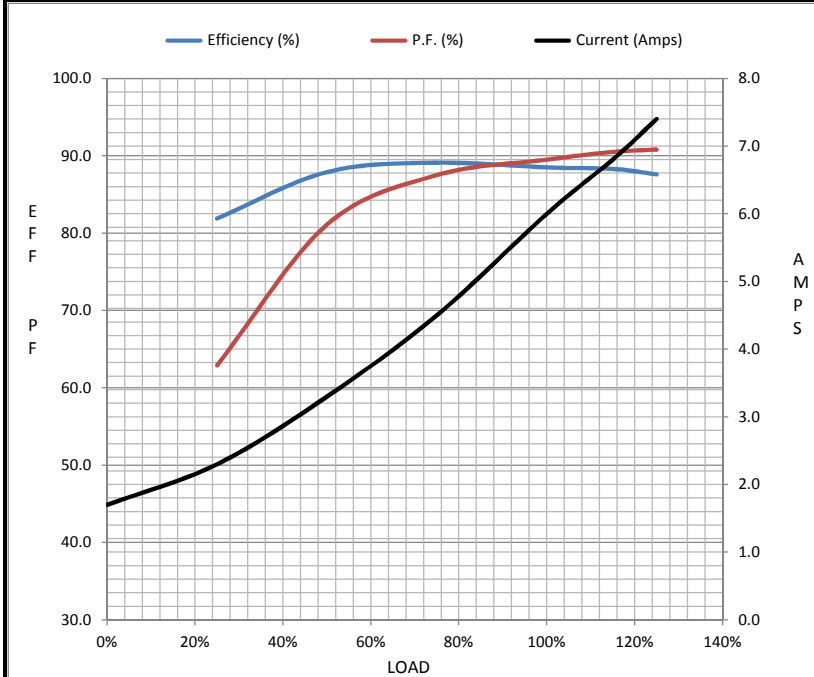
Motor Load Data

Load	0%	25%	50%	75%	100%	115%	125%	LR
Current (Amps)	1.70	2.30	3.3	4.5	6.0	6.8	7.4	47.0
Torque (ft-lb)	0.00	1.80	3.7	5.6	7.5	8.7	9.5	16.0
RPM	3600	3576	3551	3526	3495	3,477	3463	0
Efficiency (%)		81.9	87.9	89.1	88.5	88.3	87.6	
P.F. (%)	14.8	62.9	81.1	87.5	89.5	90.5	90.8	0.0

Motor Speed Data

	LR	Pull-Up	BD	Rated	Idle
Speed (RPM)	0	1800	2850	3495	3600
Current (Amps)	47.0	42.0	30.0	6.0	1.70
Torque (ft-lb)	16.0	14.0	26.0	7.5	0.00

Information Block				
HP	5.0			
Sync. RPM	3600			
Frame	180			
Enclosure	TEFC			
Construction	TFW			
Voltage	230/460#190/38(V)			
Frequency	60 Hz			
Design	B			
LR Code letter	J			
Service Factor	1.15			
Temp Rise @ FL	55 ° C			
Duty	CONT			
Ambient	40 ° C			
Elevation	1,000 feet			
Rotor/Shaft wk ²	0.00 Lb-Ft ²			
Ref Wdg	T82103 FR			
Sound Pressure @ 1M	0 dBA			
VFD Rating	CONSTANT 3:1			
Outline Dwg	035437ME-950			
Conn. Diag	005010.01ME			
Additional Specifications:				
0				
365THFS8036				
EQUIV CKT (OHMS / PHASE)				
R1	R2	X1	X2	Xm
0.0000	0.0000	0.0000	0.0000	0.0000



Speed - Torque Curve

