

# PRODUCT INFORMATION PACKET

**marathon**<sup>®</sup>  
Motors

Model No: 184TTWD14032

Catalog No: N449A

General Purpose Motor, 5 & 3 HP, 3 Ph, 60 & 50 Hz, 230/460 & 190/380 V, 1800 & 1500 RPM,  
184TC Frame, TEFC

Regal and Marathon are trademarks of Regal Rexnord Corporation or one of its affiliated companies.

©2023 Regal Rexnord Corporation, All Rights Reserved. MC017097E

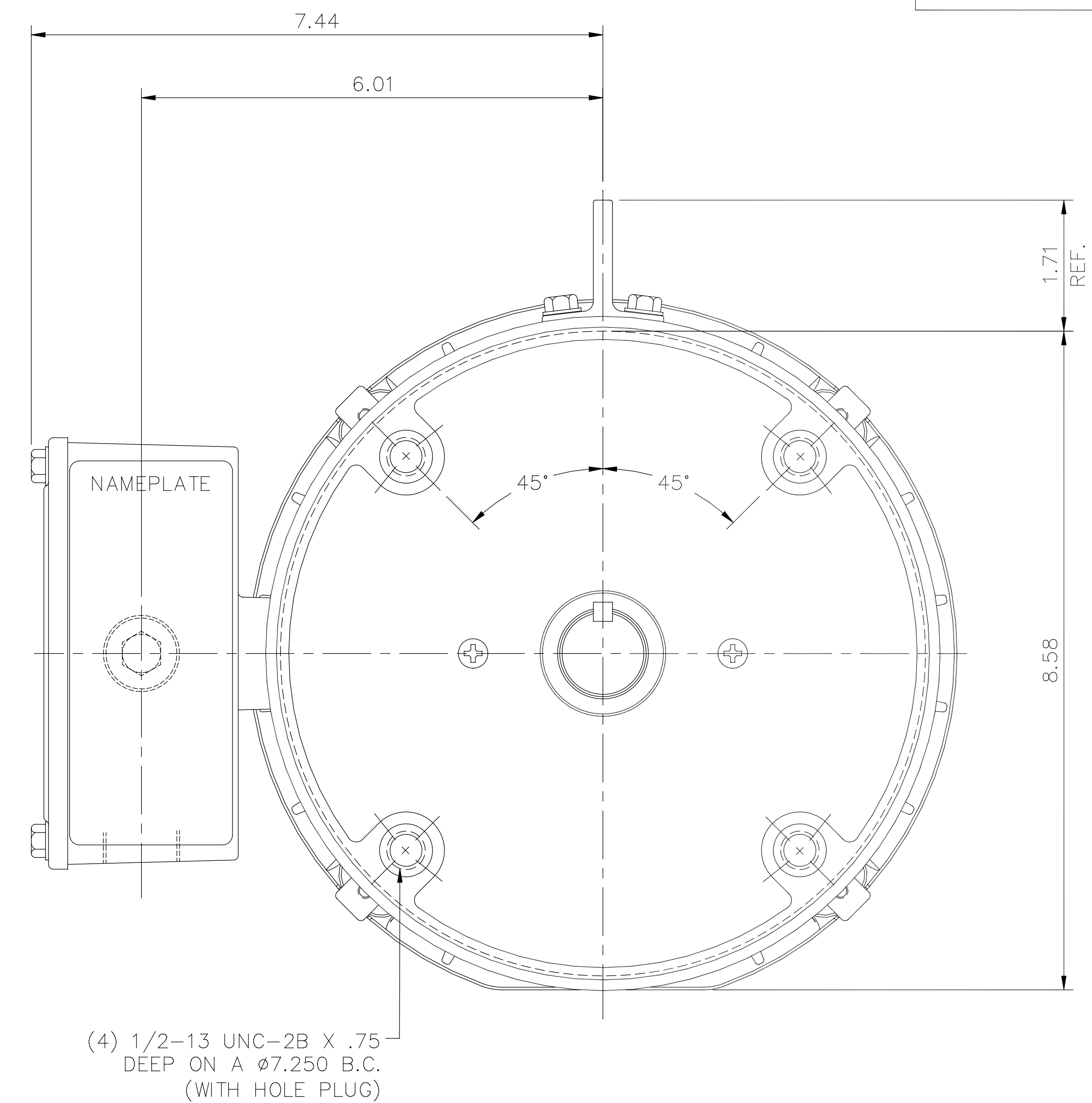
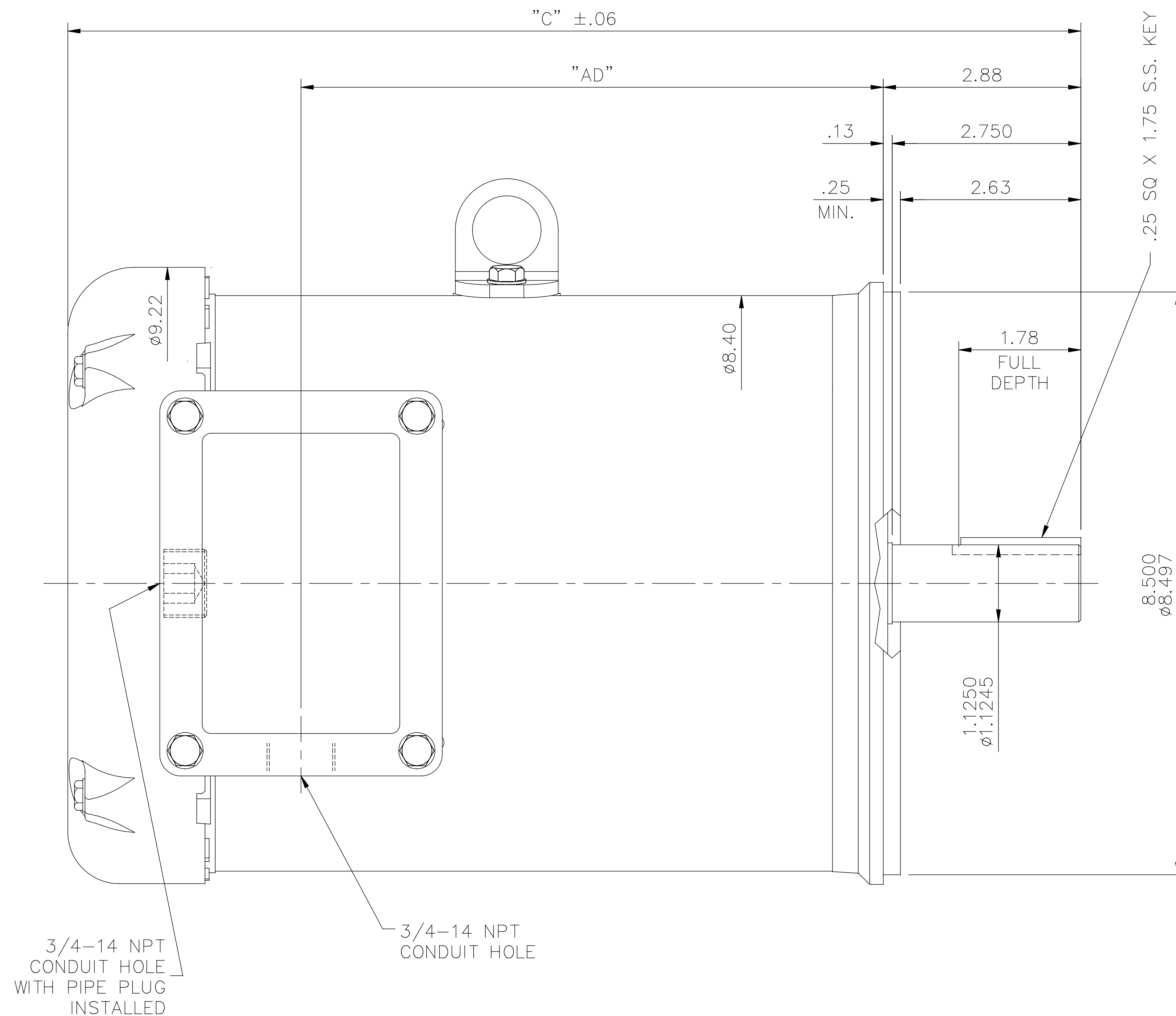
**RegalRexnord**

### Nameplate Specifications

Phase	<b>3</b>	Output HP	<b>5 &amp; 3 Hp</b>
Output KW	<b>3.7 &amp; 2.2 kW</b>	Voltage	<b>230/460 &amp; 190/380 V</b>
Speed	<b>1750 &amp; 1450 rpm</b>	Service Factor	<b>1.15 &amp; 1.15</b>
Frame	<b>184TC</b>	Enclosure	<b>Totally Enclosed Fan Cooled</b>
Thermal Protection	<b>No Protection</b>	Efficiency	<b>87.5 &amp; 86.5 %</b>
Ambient Temperature	<b>40 °C</b>	Frequency	<b>60 &amp; 50 Hz</b>
Current	<b>13/6.5 &amp; 10.6/5.3 A</b>	Power Factor	<b>82</b>
Duty	<b>Continuous</b>	Insulation Class	<b>F</b>
Design Code	<b>B</b>	KVA Code	<b>J</b>
Drive End Bearing Size	<b>6207</b>	Opp Drive End Bearing Size	<b>6207</b>
UL	<b>Recognized</b>	CSA	<b>Y</b>
CE	<b>Y</b>	IP Code	<b>56</b>
Number of Speeds	<b>1</b>		

### Technical Specifications

Electrical Type	<b>Squirrel Cage Induction Run</b>	Starting Method	<b>Across The Line</b>
Poles	<b>4</b>	Rotation	<b>Reversible</b>
Resistance Main	<b>3.08 Ohms</b>	Mounting	<b>Round</b>
Motor Orientation	<b>Horizontal</b>	Drive End Bearing	<b>Ball</b>
Opp Drive End Bearing	<b>Ball</b>	Frame Material	<b>Stainless Steel</b>
Shaft Type	<b>T</b>	Overall Length	<b>14.27 in</b>
Frame Length	<b>8.50 in</b>	Shaft Diameter	<b>1.125 in</b>
Shaft Extension	<b>2.88 in</b>	Assembly/Box Mounting	<b>F1 ONLY</b>
Connection Drawing	<b>005010.01ME</b>	Outline Drawing	<b>035438ME-850</b>



MAXIMUM FACE RUNOUT TO BE .004 T.I.R.  
 MAXIMUM PILOT ECCENTRICITY TO BE .004 T.I.R.  
 PERMISSIBLE SHAFT RUNOUT TO BE .002 T.I.R.

- SPECIAL FEATURES:
- 1) DOUBLE LIP OIL SEALS BOTH ENDS
  - 2) GASKETS THROUGHOUT
  - 3) O-RING SEALED ENDBELLS & THRU BOLTS
  - 4) LOCKED BEARING W/SEALED LOCK SCREWS

DASH NO.	"C"	"AD"
850	14.27	7.99
900	14.77	8.49
950	15.27	8.99
1000	15.77	9.49

		TOLERANCES UNLESS SPECIFIED		MARATHON ELECTRIC		DRAWN TJW 7/6/2007	
		DEC.	INCHES			CHK ML 7/6/2007	
		.X	±.1			APPD GK 7/6/2007	
		.XX	±.03	TITLE		SCALE 1=2	
02		ADDED DASH # 1000	LK 11/27/15	GR	.XXX	±.005	REF
01		ADDED DASH # 850	PVR 03/25/14	JD	.XXXX	±.0005	FMF
NO.	REVISION	BY & DATE	CHK	ANG	FINISH		PREV
THIS DRAWING IN DESIGN AND DETAIL IS OUR PROPERTY AND MUST NOT BE USED EXCEPT IN CONNECTION WITH OUR WORK ALL RIGHTS OF DESIGN AND INVENTION ARE RESERVED THIS IS AN ELECTRONICALLY GENERATED DOCUMENT - DO NOT SCALE THIS PRINT			RFP		CAD FILE	035438ME	SIZE B
			DIST	NLV	DRAWING NO. 035438ME		REV. 02

