

PRODUCT INFORMATION PACKET

marathon[®]
Motors

Model No: 184TTTL7084

Catalog No: C402

Brake Motor, 1.50 & 1 HP, 3 Ph, 60 & 50 Hz, 230/460 & 190/380 V, 1200 & 1000 RPM, 184TC Frame, TENV

Regal and Marathon are trademarks of Regal Rexnord Corporation or one of its affiliated companies.

©2023 Regal Rexnord Corporation, All Rights Reserved. MC017097E

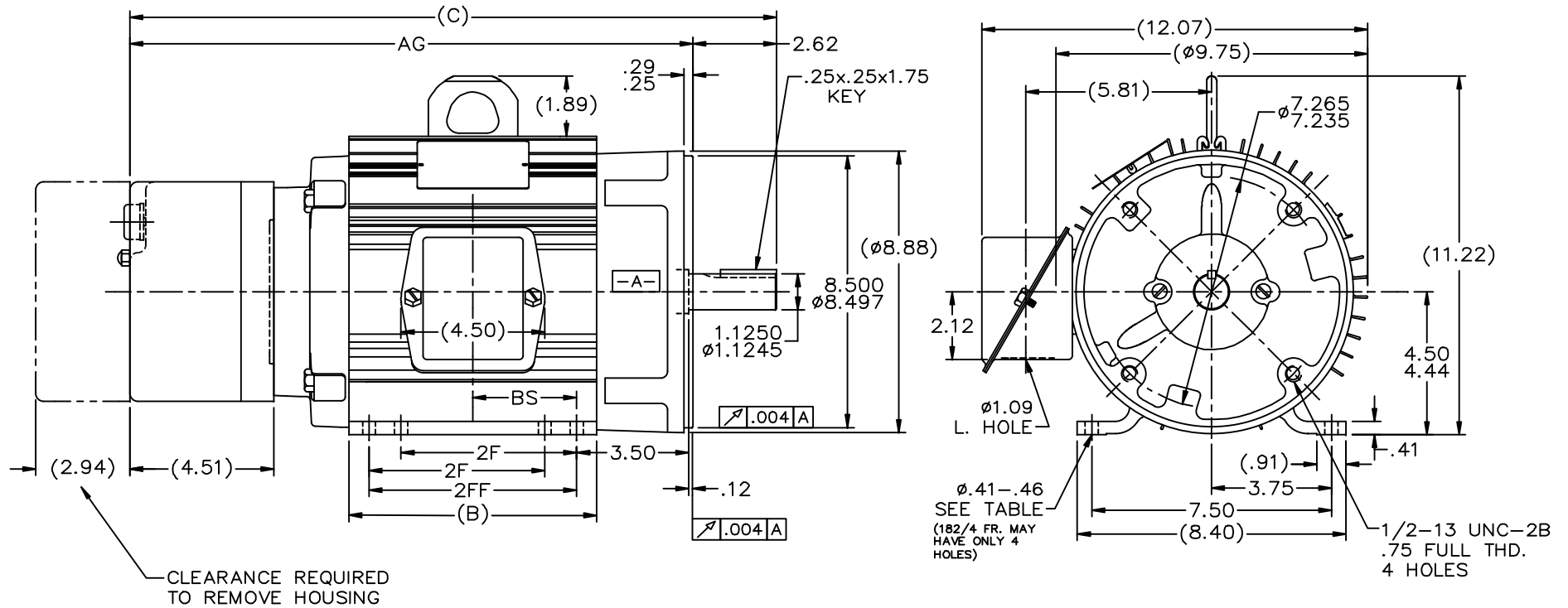
RegalRexnord

Nameplate Specifications

Phase	3	Output HP	1.50 & 1 Hp
Output KW	1.1 & 0.75 kW	Voltage	230/460 & 190/380 V
Speed	1165 & 970 rpm	Service Factor	1.15 & 1.0
Frame	184TC	Enclosure	Totally Enclosed Non Ventilated
Thermal Protection	No Protection	Efficiency	81.5 & 75.5 %
Ambient Temperature	40 °C	Frequency	60 & 50 Hz
Current	5.2/2.6 & 4.8/2.4 A	Power Factor	66
Duty	Continuous	Insulation Class	F
Design Code	B	KVA Code	L
Drive End Bearing Size	6207	Opp Drive End Bearing Size	6206
UL	Recognized	CSA	Y
CE	Y	IP Code	43
Number of Speeds	1		

Technical Specifications

Electrical Type	Squirrel Cage Induction Run	Starting Method	Across The Line
Poles	6	Rotation	Reversible
Resistance Main	9.68 Ohms	Mounting	Rigid Base
Motor Orientation	Horizontal	Drive End Bearing	Ball
Opp Drive End Bearing	Ball	Frame Material	Aluminum
Shaft Type	T	Overall Length	19.68 in
Frame Length	7.20 in	Shaft Diameter	1.125 in
Shaft Extension	2.62 in	Assembly/Box Mounting	F1/F2 Capable
Connection Drawing	A-EE7308	Outline Drawing	B-SS68966-720



NOTES:

1. BOX CAN BE MOUNTED ON OPPOSITE SIDE BY REMOVING BRACKETS & TURNING FRAME 180°.
2. BOX CAN BE ROTATED IN 90° STEPS.
3. NAMEPLATE TO BE READ FROM CONDUIT BOX SIDE OF MOTOR.

DASH	FR.	C	B	2FF	2F	BS	AG	FOOT HOLES	MOUNTING
575	182T	18.23	5.75	-	4.50	2.25	15.61	4	F1 OR F2
675	184T	19.23	6.75	5.50	-	2.75	16.61	4	F1 OR F2
720	182T	19.68	7.20	-	4.50	2.95	17.06	8	F1 OR F2
720	184T	19.68	7.20	-	5.50	2.95	17.06	4	F1 OR F2
775	184T	20.23	7.75	-	5.50	3.25	17.61	4	F1 OR F2
820	184T	20.68	8.20	-	5.50	3.45	18.06	8	F1 OR F2

NO.	REVISION	BY & DATE	CHK	ANG	FINISH	TOLERANCES UNLESS SPECIFIED		MARATHON ELECTRIC	DRAWING NO.	PAGE	OF	REV.		
						INCHES	DEC.							
9	DASH -720, 4 FOOT HOLES WERE 8	ECN #25076	WGJ	07-12-2012	EMH									
8	UPDATED DRAWING		RJW	04-23-2007					CHK	ML	06-29-2000			
7	REMOVE 5.50 FROM DASH 675 2F	CN32981	RJW	02-09-2005		.X	±.1		APPD	TB	06-30-2000			
6	REVISED CHART	CN33724	RJW	12-27-2004	ML	.XX	±.03		SCALE		5-16			
5	CHG. -720 2FF TO 5.5 AND -	CN2084B	RWR	03-26-2004	ML	.XXX	±.005		REF					
4	ADDED 2FF TO TABULATED CHART		TAT	01-30-2004	ML	.XXXX	±.0005		FMF					
					CHK	ANG	±7'30"		PREV					
THIS DRAWING IN DESIGN AND DETAIL IS OUR PROPERTY AND MUST NOT BE USED EXCEPT IN CONNECTION WITH OUR WORK ALL RIGHTS OF DESIGN AND INVENTION ARE RESERVED THIS IS AN ELECTRONICALLY GENERATED DOCUMENT - DO NOT SCALE THIS PRINT						RFP			CAD FILE	ss68966	SIZE	B	DRAWING NO.	SS68966
						DIST	LB							

EE7308

THREE PHASE
DUAL VOLTAGE MOTOR



VIEW OF TERMINAL END

REF.
WINDING DIAGRAM

T8Y, T2Y, T2BL, T4BX, T2EC, T2G
T6BZ, T2B, T6BL, T4AV, T6B, T4B

OPTIONAL CORD
CONNECTION

L1 — WHITE
L2 — RED
L3 — BLACK

NO.	REVISION	BY & DATE	CHK	ANG	TOLERANCES UNLESS SPECIFIED		FINISH	DRAWN RM 11/20/1990				
					DEC.	INCHES						
5	CHG TO REGAL LOGO	SL 09/10/2015	AB					CHK ML 11/21/1990				
4	REVISED IEC NOTATIONS	MSG 11/15/2011	CMN	.X	±.1			APPD SAS 04/24/2003				
3	ADDED IEC NOTATIONS... (U1), (V1) ETC. MU95194	MSG 5/10/2010	MJS	.XX	±.02		TITLE CONNECTION DIAGRAM	SCALE 1=1				
2	ADDED THE OPTIONAL CORD CONNECTION MU46318	RDH 04/24/2003	DRS	.XXX	±.005		3Ø - DUAL VOLTAGE MOTOR	REF				
1	REDRAWN	RM 11/20/1990		.XXXX	±.0005		MAT'L.	FMF				
					±7'30"			PREV				
THIS DRAWING IN DESIGN AND DETAIL IS OUR PROPERTY AND MUST NOT BE USED EXCEPT IN CONNECTION WITH OUR WORK ALL RIGHTS OF DESIGN AND INVENTION ARE RESERVED THIS IS AN ELECTRONICALLY GENERATED DOCUMENT - DO NOT SCALE THIS PRINT							RFP	CAD FILE ee7308	SIZE A	DRAWING NO. EE7308	PAGE OF 5	REV. 5
							DIST WP					

