

# PRODUCT INFORMATION PACKET

Model No: 184TTTL7041

Catalog No: C406

Brake Motor, 5 & 3 HP, 3 Ph, 60 & 50 Hz, 230/460 & 190/380 V, 1800 & 1500 RPM, 184TC Frame, TENV



Regal and Marathon are trademarks of Regal Rexnord Corporation or one of its affiliated companies.

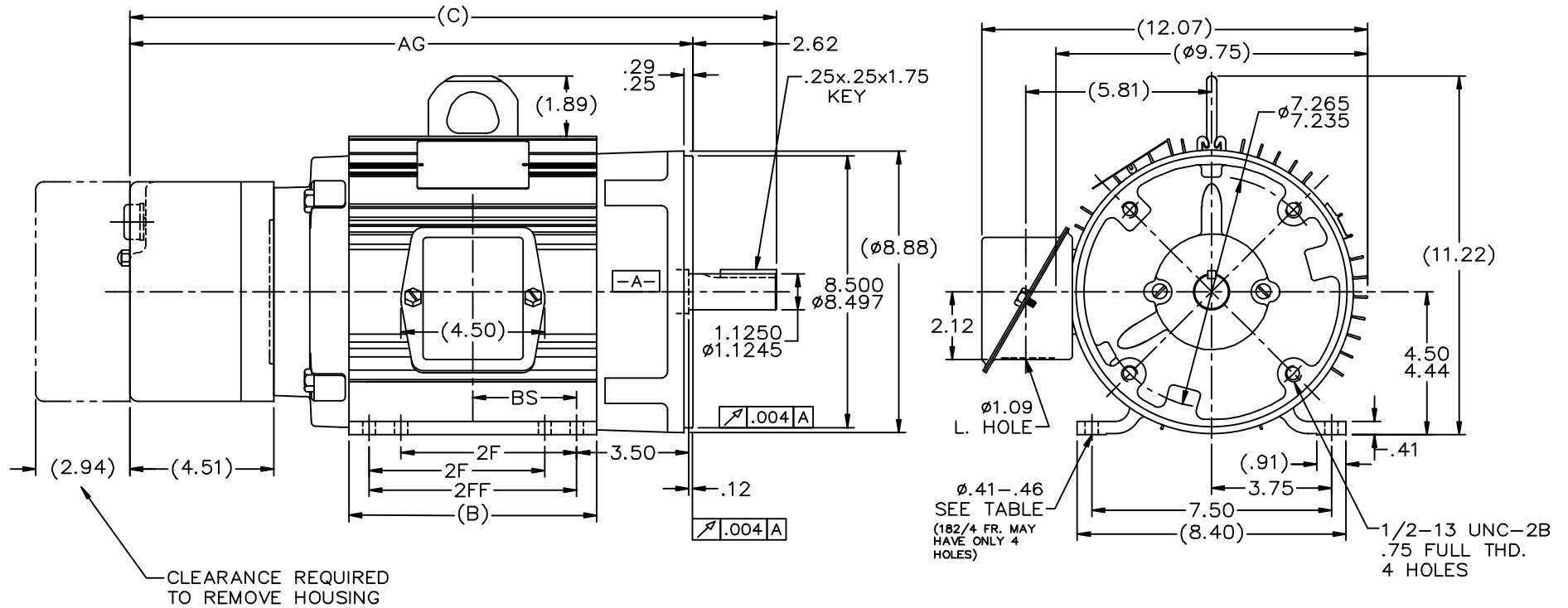
©2023 Regal Rexnord Corporation, All Rights Reserved. MC017097E

### Nameplate Specifications

Phase	<b>3</b>	Output HP	<b>5 &amp; 3 Hp</b>
Output KW	<b>3.7 &amp; 2.2 kW</b>	Voltage	<b>230/460 &amp; 190/380 V</b>
Speed	<b>1755 &amp; 1465 rpm</b>	Service Factor	<b>1.0 &amp; 1.0</b>
Frame	<b>184TC</b>	Enclosure	<b>Totally Enclosed Non Ventilated</b>
Thermal Protection	<b>No Protection</b>	Efficiency	<b>90.2 &amp; 90.2 %</b>
Ambient Temperature	<b>40 °C</b>	Frequency	<b>60 &amp; 50 Hz</b>
Current	<b>12.4/6.2 &amp; 9.6/4.8 A</b>	Power Factor	<b>83.5</b>
Duty	<b>Continuous</b>	Insulation Class	<b>F</b>
Design Code	<b>B</b>	KVA Code	<b>J</b>
Drive End Bearing Size	<b>6207</b>	Opp Drive End Bearing Size	<b>6206</b>
UL	<b>Recognized</b>	CSA	<b>Y</b>
CE	<b>Y</b>	IP Code	<b>43</b>
Number of Speeds	<b>1</b>		

### Technical Specifications

Electrical Type	<b>Squirrel Cage Induction Run</b>	Starting Method	<b>Across The Line</b>
Poles	<b>4</b>	Rotation	<b>Reversible</b>
Resistance Main	<b>2.62 Ohms</b>	Mounting	<b>Rigid Base</b>
Motor Orientation	<b>Horizontal</b>	Drive End Bearing	<b>Ball</b>
Opp Drive End Bearing	<b>Ball</b>	Frame Material	<b>Aluminum</b>
Shaft Type	<b>T</b>	Overall Length	<b>20.68 in</b>
Frame Length	<b>8.20 in</b>	Shaft Diameter	<b>1.125 in</b>
Shaft Extension	<b>2.62 in</b>	Assembly/Box Mounting	<b>F1/F2 CAPABLE</b>
Outline Drawing	<b>B-SS68966-820</b>	Connection Drawing	<b>A-EE7308</b>



NOTES:

1. BOX CAN BE MOUNTED ON OPPOSITE SIDE BY REMOVING BRACKETS & TURNING FRAME 180°.
2. BOX CAN BE ROTATED IN 90° STEPS.
3. NAMEPLATE TO BE READ FROM CONDUIT BOX SIDE OF MOTOR.

DASH	FR.	C	B	2FF	2F	BS	AG	FOOT HOLES	MOUNTING
575	182T	18.23	5.75	-	4.50	2.25	15.61	4	F1 OR F2
675	184T	19.23	6.75	5.50	-	2.75	16.61	4	F1 OR F2
720	182T	19.68	7.20	-	4.50	2.95	17.06	8	F1 OR F2
720	184T	19.68	7.20	-	5.50	2.95	17.06	4	F1 OR F2
775	184T	20.23	7.75	-	5.50	3.25	17.61	4	F1 OR F2
820	184T	20.68	8.20	-	5.50	3.45	18.06	8	F1 OR F2

NO.	REVISION	BY & DATE	CHK	ANG	FINISH	TOLERANCES UNLESS SPECIFIED	MARATHON ELECTRIC	DRAWING NO.	PAGE	OF	REV.
9	DASH -720, 4 FOOT HOLES WERE 8	ECN #25076	WGJ	07-12-2012	EMH			06-22-2000			
8	UPDATED DRAWING		RJW	04-23-2007				CHK	ML	06-29-2000	
7	REMOVE 5.50 FROM DASH 675 2F	CN32981	RJW	02-09-2005		.X		APPD	TB	06-30-2000	
6	REVISED CHART	CN33724	RJW	12-27-2004	ML	.XX		SCALE		5-16	
5	CHG. -720 2FF TO 5.5 AND - CN2084B		RWR	03-26-2004	ML	.XXX		REF			
4	ADDED 2FF TO TABULATED CHART		TAT	01-30-2004	ML	.XXXX		FMF			
THIS DRAWING IN DESIGN AND DETAIL IS OUR PROPERTY AND MUST NOT BE USED EXCEPT IN CONNECTION WITH OUR WORK ALL RIGHTS OF DESIGN AND INVENTION ARE RESERVED THIS IS AN ELECTRONICALLY GENERATED DOCUMENT - DO NOT SCALE THIS PRINT						RFP	CAD FILE	SS68966	B	SS68966	9
						DIST	LB				

EE7308

THREE PHASE  
DUAL VOLTAGE MOTOR



VIEW OF TERMINAL END

REF.  
WINDING DIAGRAM

T8Y, T2Y, T2BL, T4BX, T2EC, T2G  
T6BZ, T2B, T6BL, T4AV, T6B, T4B

OPTIONAL CORD  
CONNECTION

L1 — WHITE  
L2 — RED  
L3 — BLACK

NO.	REVISION	BY & DATE	CHK	ANG	TOLERANCES UNLESS SPECIFIED		FINISH	DRAWN RM 11/20/1990				
					DEC.	INCHES						
5	CHG TO REGAL LOGO	SL 09/10/2015	AB					CHK ML 11/21/1990				
4	REVISED IEC NOTATIONS	MSG 11/15/2011	CMN	.X	±.1			APPD SAS 04/24/2003				
3	ADDED IEC NOTATIONS... (U1), (V1) ETC. MU95194	MSG 5/10/2010	MJS	.XX	±.02			SCALE 1=1				
2	ADDED THE OPTIONAL CORD CONNECTION MU46318	RDH 04/24/2003	DRS	.XXX	±.005		TITLE CONNECTION DIAGRAM 3Ø - DUAL VOLTAGE MOTOR	REF				
1	REDRAWN	RM 11/20/1990		.XXXX	±.0005		MAT'L.	FMF				
					±7'30"			PREV				
THIS DRAWING IN DESIGN AND DETAIL IS OUR PROPERTY AND MUST NOT BE USED EXCEPT IN CONNECTION WITH OUR WORK ALL RIGHTS OF DESIGN AND INVENTION ARE RESERVED THIS IS AN ELECTRONICALLY GENERATED DOCUMENT - DO NOT SCALE THIS PRINT							RFP	CAD FILE ee7308	SIZE A	DRAWING NO. EE7308	PAGE OF 5	REV. 5
							DIST WP					



Regal Beloit America, Inc.

**CERTIFICATION DATA SHEET**

**Model#:** 184TTTL7041 DT  
**CONN. DIAGRAM:** A-EE7308  
**OUTLINE:** B-SS68966-820

**WINDING#:** K1844215 R12 1  
**ASSEMBLY:** F1/F2 CAPABLE

**TYPICAL MOTOR PERFORMANCE DATA**

HP	KW	SYNC. RPM	F.L. RPM	FRAME	ENCLOSURE	KVA CODE	DESIGN
5&3	3.7&2.24	1800	1755&1465	184TC	TENV	J	B

PH	Hz	VOLTS	FL AMPS	START TYPE	DUTY	INSL	S.F	AMB°C	ELEVATION
3	60/50	230/460#190/ 380	12.4/6.2&9.6/4 .8	ACROSS THE LINE	CONTINUOU S	F3	1.0/1.0	40	3300

FULL LOAD EFF: 90.2&90.2	3/4 LOAD EFF: 90.2	1/2 LOAD EFF: 90.2	GTD. EFF	ELEC. TYPE	NO LOAD AMPS
FULL LOAD PF: 83.5&79	3/4 LOAD PF: 78.5	1/2 LOAD PF: 70	88.5	SQ CAGE IND RUN	5.6 / 2.8

F.L. TORQUE	LOCKED ROTOR AMPS	L.R. TORQUE	B.D. TORQUE	F.L. RISE°C
15 LB-FT	92 / 46	34.5 LB-FT 230	45 LB-FT 300	96

SOUND PRESSURE @ 3 FT.	SOUND POWER	ROTOR WK^2	MAX. WK^2	SAFE STALL TIME	STARTS /HOUR	APPROX. MOTOR WGT
62 dBA	72 dBA	0.5 LB-FT^2	50 LB-FT^2	25 SEC.	2	115 LBS.

**\*\*\* SUPPLEMENTAL INFORMATION \*\*\***

DE BRACKET TYPE	ODE BRACKET TYPE	MOUNT TYPE	ORIENTATION	SEVERE DUTY	HAZARDOUS LOCATION	DRIP COVER	SCREENS	PAINT
C-FACE	BRAKE	RIGID	HORIZONTAL	FALSE	NONE	FALSE	NONE	GRAY (ENAMEL)

BEARINGS		GREASE	SHAFT TYPE	SPECIAL DE	SPECIAL ODE	SHAFT MATERIAL	FRAME MATERIAL
DE	OPE						
BALL	BALL	POLYREX EM	T	NONE	NONE	1144 STRESSPROOF (C-223)	ALUMINUM
6207	6206						

THERMO-PROTECTORS				THERMISTORS	CONTROL	SPACE /n HEATERS
THERMOSTATS	PROTECTORS	WDG RTDs	BRG RTDs			
NONE	NOT	NONE	NONE	NONE	FALSE	NONE VOLTS

If Inverter equals NONE, contact factory for further information

INVERTER TORQUE: NONE  
 INV. HP SPEED RANGE: NONE

ENCODER: NONE  
 NONE NONE  
 NONE NONE PPR

BRAKE: REGAL SUPPLIED AND MOUNT  
 NONE  
 STEARNS P/N 35467-91  
 56,000 NEMA 2  
 25 FT-LB 208-230/460-190/380 V  
 60/50 Hz

\*  
 N  
 O  
 T  
 E  
 S  
 \*

DATE: 06/20/2017 08:50:16 AM

FORM 3531 REV.3 02/07/99  
\*\* Subject to change without notice.

**MARATHON ELECTRIC CORPORATION**

TYPICAL PERFORMANCE CURVE for AC MOTOR

Customer CATALOG

Curve at

460

Volts

HP 5&3

PHASE 3

Model No 184TTTTL7041

60

HZ

VOLTS 230/460&190/380

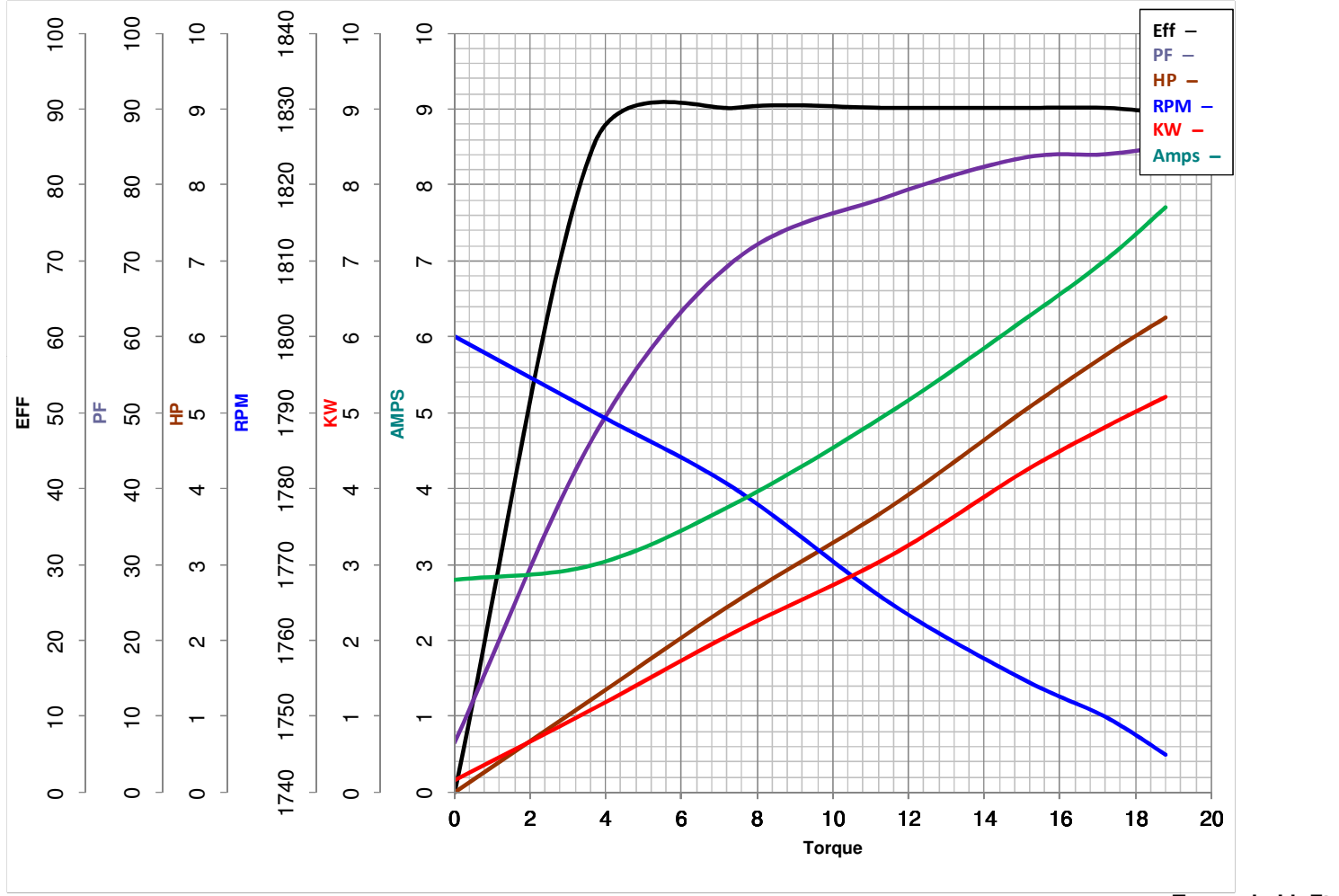
5

HP

Catalog No C406

HZ 60&50

RPM 1755&1465



Torque in Lb.Ft

FL TORQUE 15 Lb.Ft  
 BD TORQUE 45.0 Lb.Ft  
 LR TORQUE 34.5 Lb.Ft

FL AMPS 12.4/6.2  
 PU TORQUE 32.0 Lb.Ft  
 LR AMPS 46

WINDING K1844215-1 Prepared By SRIKANTH

Date 6/20/2017

## EC Declaration of Conformity

The undersigned representing  
the manufacturer:

Regal Beloit America  
100 East Randolph St.  
Wausau, WI 54401

and the authorized representative  
established within the Community:

Marathon Electric UK  
6F Thistleton Road Ind. Estate  
Market Overton  
Oakham, Rutland LE15 7PP UK

are committed to providing customers with products that comply with applicable regulations and international protocols to which they are subject, including the requirements of the European Parliament Directive on the Harmonization of the laws relating to electrical equipment designed for use within certain voltage limits (2014/35/EU).

Regal Beloit America declares that the following product(s), to which this declaration relates, are in conformity with the relevant sections of the EC standards listed below.

This statement supersedes any statements previously issued pertaining to the product(s) listed below and is subject to change without notice.

Model No : 184TTTL7041

(Model No. may contain prefix and/or suffix characters)

Catalog No : C406

Rework No : N/A

Directives :

Low Voltage Directive 2014/35/EU

Harmonized Standards Used :

EN 60034-1: 2010 (IEC 60034-1: 2010)

EN 60034-5: 2001/A1:2007 (IEC 60034-5: 2000/A1:2006)

Authorized Representative:



Michael A. Logsdon  
Vice President, Technology

Authorized Representative in the Community:



Julian Clark  
Marketing Engineer

Created on 09/01/2022

**CE 22**