

# PRODUCT INFORMATION PACKET

Model No: 184TTTCD18578  
Catalog No: S554A  
2,1200,TEAO,184T,3/60/575

Regal and are trademarks of Regal Rexnord Corporation or one of its affiliated companies.  
©2022 Regal Rexnord Corporation, All Rights Reserved. MC017097E



**Nameplate Specifications**

**Technical Specifications**

Connection Drawing

EE7300T

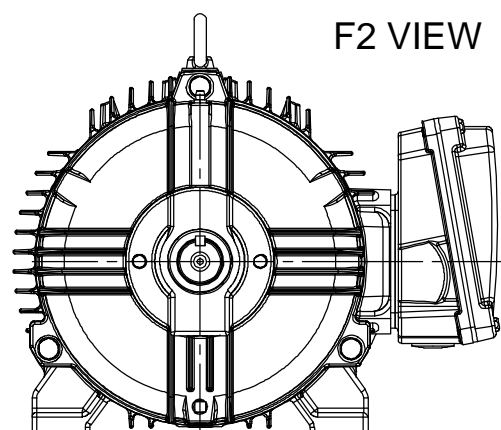
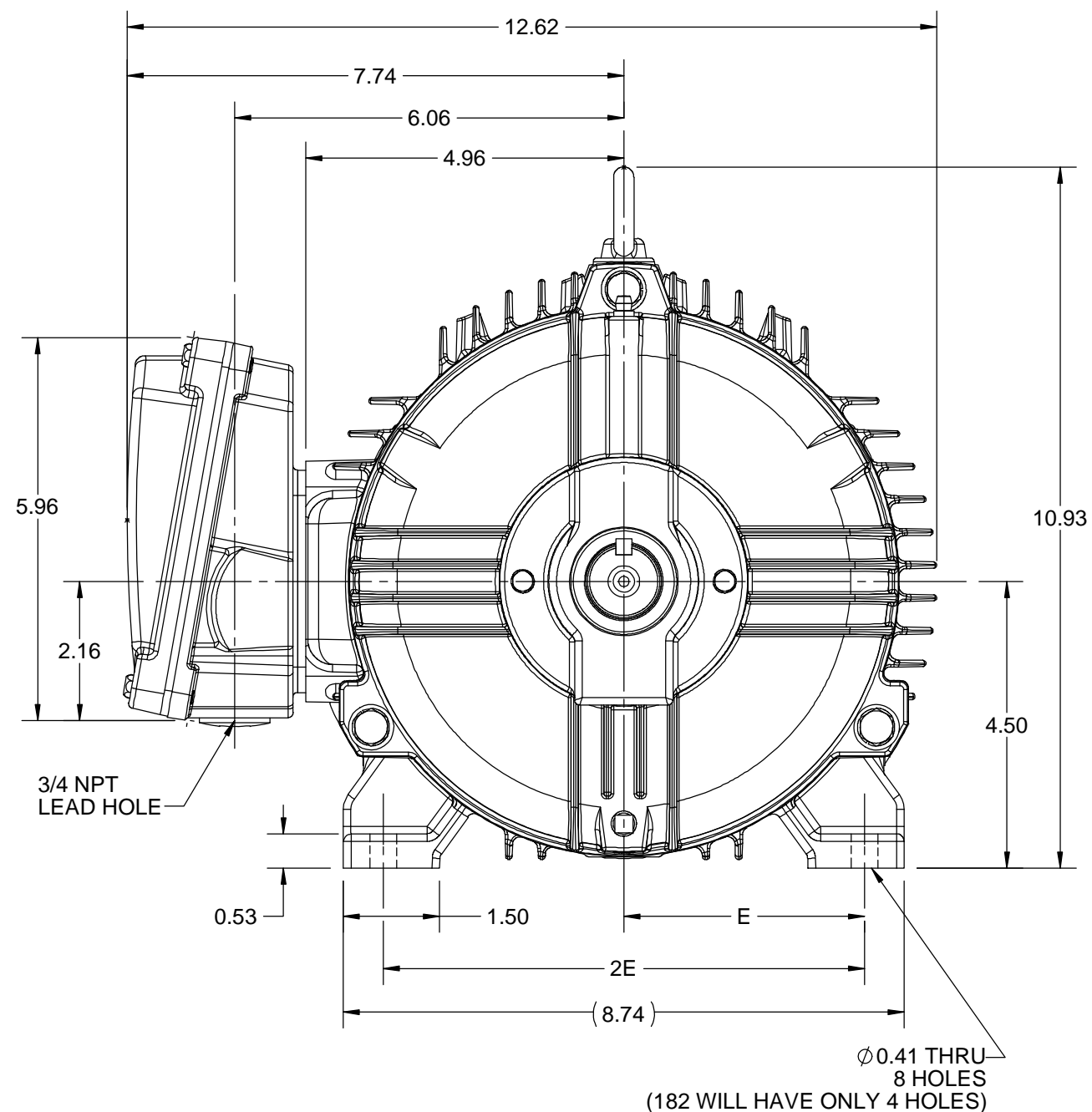
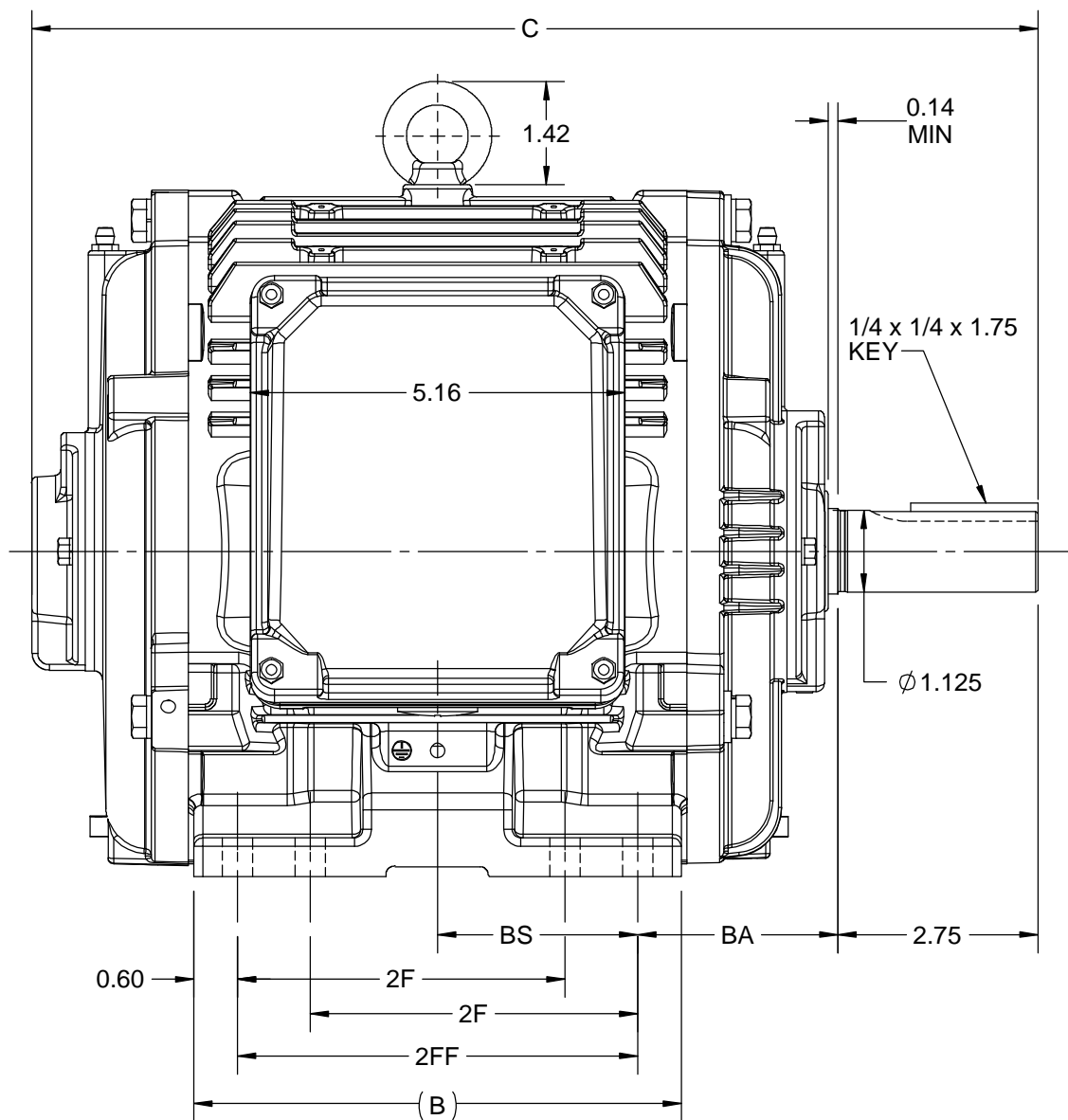
Outline Drawing

SS600211-200

---

This is an uncontrolled document once printed or downloaded and is subject to change without notice. Date Created:07/22/2022

DASH NO.	4				3				MOUNTING	FRAME
	B	C	E	2E	2F	2FF	BA	BS		
100	5.67	12.82	3.75	7.50	-	4.50	2.75	2.35	F1 OR F2	182T
200	6.69	13.82			4.50	5.50		2.75	F1 OR F2	182/184T



DRAWING REVISION B	REVISION BY BISWA	REV DATE/© DATE 06/10/2020
ECO ECO-0194180	APPROVED BY GNK	DATE 06/10/2020
ECO DESCRIPTION <b>DRAWING UPDATED.</b>		
<small>COPYRIGHT (PER REVISION DATE) REGAL BELOIT AMERICA, INC. ALL RIGHTS RESERVED. PROPRIETARY AND CONFIDENTIAL INFORMATION - THIS DOCUMENT IS THE PROPERTY OF REGAL BELOIT AMERICA, INC. ("OWNER") AND CONTAINS OWNER'S PROPRIETARY INFORMATION. ANY PERSON, CORPORATION OR OTHER FIRM RECEIVING IT IS DEEMED, BY RECEIVING IT, TO AGREE THAT IT, AND/OR ANY PART OF IT, SHALL NOT BE DISCLOSED TO ANY PERSON, CORPORATION OR OTHER ENTITY, DUPLICATED, AND/OR USED, EXCEPT AS EXPRESSLY APPROVED IN WRITING IN ADVANCE BY OWNER. THIS DOCUMENT SHALL BE RETURNED TO OWNER UPON REQUEST. IT MAY BE SUBJECT TO CERTAIN RESTRICTIONS UNDER APPLICABLE EXPORT CONTROL LAWS AND REGULATIONS.</small>		

PRIMARY DIMENSIONS ARE INCH  
mm DIMENSIONS IN [BRACKETS]  
ARE FOR REFERENCE ONLY

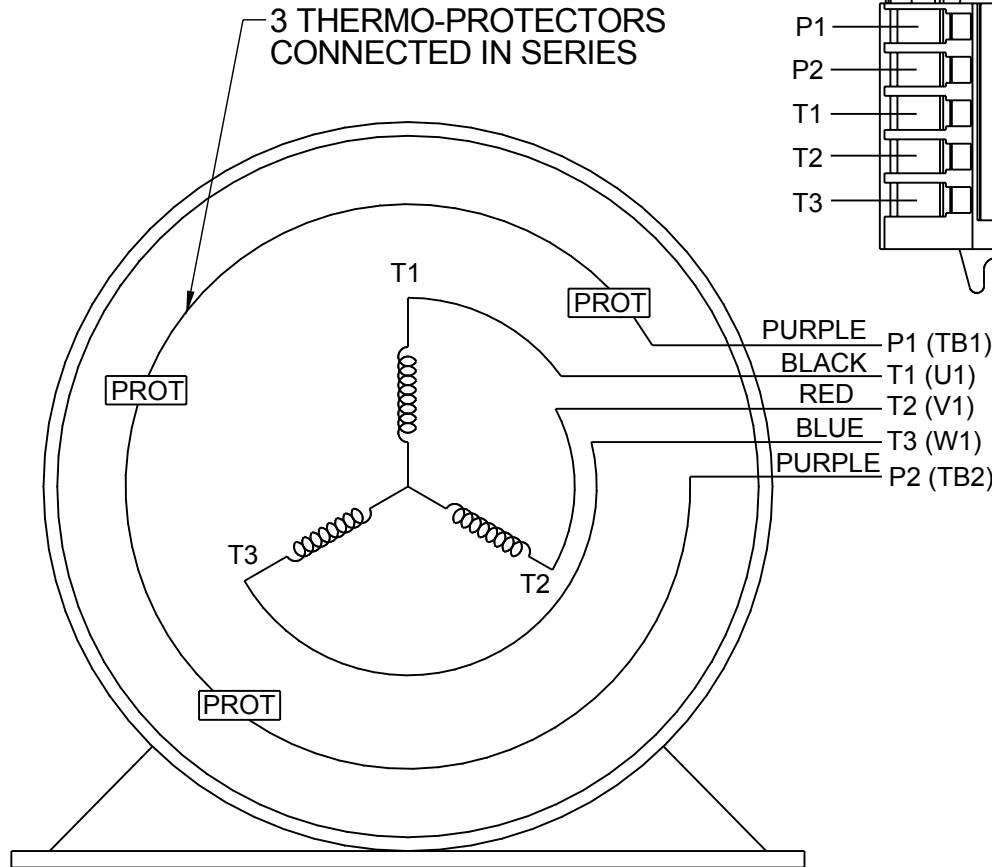
DRAWN BY BISWA	<b>REGAL</b> ® Regal Beloit America, Inc.
DATE 06/10/2020	
APPROVED BY SBD	DESCRIPTION <b>OUTLINE</b> 182/184T FR-NEMA-TEAO/TENV
DATE 06/10/2020	MATERIAL
REFERENCE	PROCESS/FINISH
THIRD ANGLE PROJECTION	SIZE B
	DRAWING NUMBER SS600211
	SHEET 1 OF 1

**THREE PHASE - SINGLE VOLTAGE  
MOTOR - CONDUIT BOX @ 'A'**

**TO REVERSE ROTATION:  
INTERCHANGE ANY TWO LINE  
LEAD CONNECTIONS**

**NOTE FOR FACTORY USE ONLY:  
TO SURGE TEST:  
FOR 3 LEAD COMMON CONNECT:  
CONNECT P1 TO T1 THEN P2 TO L1  
FOR 6 LEAD COMMON CONNECT:  
CONNECT P1 TO BOTH T1  
THEN P2 TO L1**

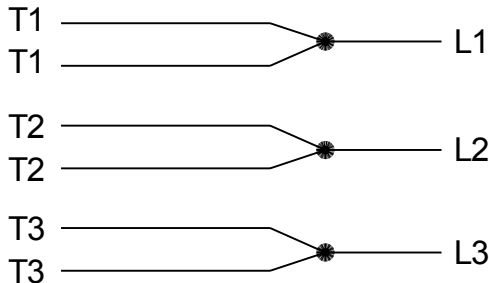
TERMINAL BLOCK WHEN SPECIFIED



PURPLE P1 (TB1)  
BLACK T1 (U1)  
RED T2 (V1)  
BLUE T3 (W1)  
PURPLE P2 (TB2)

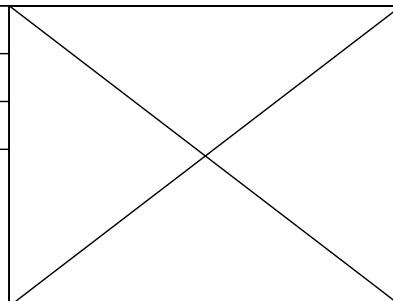
T2BM  
T6AW  
T6AL  
T6Z  
T4EG  
T4BF  
T8A  
T6H  
T6A  
T4AX  
T4A  
T2A  
T2F

**IF MOTOR HAS MULTIPLE  
T'S PER LEAD CONNECT  
TOGETHER LIKE T'S**



**A-9806 DECAL**

DRAWING REVISION AB	REVISION BY AJW	DATE 07-17-2015
ECO ECO-0081632	APPROVED BY T.VUE	DATE 07-17-2015
ECO DESCRIPTION REV'D IEC MARKINGS PER IEC-60034-8		
<small>COPYRIGHT REGAL BELOIT AMERICA, INC. ALL RIGHTS RESERVED. PROPRIETARY AND CONFIDENTIAL INFORMATION - THIS DOCUMENT IS THE PROPERTY OF REGAL BELOIT AMERICA, INC. ("OWNER") AND CONTAINS OWNER'S PROPRIETARY INFORMATION. ANY PERSON, CORPORATION OR OTHER FIRM RECEIVING IT IS DEEMED, BY RECEIVING IT, TO AGREE THAT IT, AND/OR ANY PART OF IT, SHALL NOT BE DISCLOSED TO ANY PERSON, CORPORATION OR OTHER ENTITY, DUPLICATED, AND/OR USED, EXCEPT AS EXPRESSLY APPROVED IN WRITING IN ADVANCE BY OWNER. THIS DOCUMENT SHALL BE RETURNED TO OWNER UPON REQUEST. IT MAY BE SUBJECT TO CERTAIN RESTRICTIONS UNDER APPLICABLE EXPORT CONTROL LAWS AND REGULATIONS.</small>		



DRAWN BY LZ	<b>Regal Beloit America, Inc.</b>
DATE 01-04-1994	
APPROVED BY GK	DESCRIPTION <b>CONN DIAGRAM-EXTERNAL</b> 3Ø-SINGLE VOLT-MOTOR WITH PROTECTOR
DATE 01-20-1994	MATERIAL
REFERENCE	PROCESS/FINISH
THIRD ANGLE PROJECTION	SIZE <b>A</b>
	DRAWING NUMBER <b>EE7300T</b>
	SHEET 1 OF 1



P.O. BOX 8003  
 WAUSAU, WI 54401-8003  
 PH. 715-675-3311

DATA VOLTS: 575

**CERTIFICATION DATA SHEET**

CUSTOMER:  
 ORDER #:  
 CONN. DIAGRAM: EE7300T  
 OUTLINE: SS600211-200  
 WINDING: HA31126009 R5 2  
 SPEED:

CUSTOMER P.O. #:  
 REFERENCE MODEL #: 184TTCD18578  
 CAT #: S554A  
 CUSTOMER PART #:  
 MOUNTING: F1/F2 CAPABLE

**TYPICAL MOTOR PERFORMANCE DATA**

HP	KW	SYNC RPM	FL RPM	FRAME	ENCLOSURE	TYPE	KVA CODE	DESIGN
2	1.5	1200	1175	184T	TEAO	TTC	L	B

PH	HZ	VOLTS	AMPS	START TYPE	DUTY	INSL	S.F.	AMB	ELEV.
3	60	575	2.35	LINE OR INVERTER	CONT	H	1.15	90	3300

F.L. EFF	87.5	3/4 LD EFF	87.0	1/2 LD EFF	85.5	GTD EFF	ELECT. TYPE
F.L. PF	70.0	3/4 LD PF	63.0	1/2 LD PF	51.0	86.5	SQ CAGE INV RATED

F.L. TORQUE	LR AMPS @ 460 V	L.R. TORQUE	B.D. TORQUE	F.L. RISE (°C)
9.0 LB-FT	18.8	27.0 LB-FT	300%	30.0 LB-FT 333%

SOUND PRESSURE @ 3 FT.	SOUND	POWER	ROTOR WK <sup>2</sup>	MAX. LOAD WK <sup>2</sup>	SAFE STALL TIME	STARTS/HOUR	APROX.	MOTOR WGT
50 dBA	59 dBA		0.5 LB-FT <sup>2</sup>	40 LB-FT <sup>2</sup>	15 SEC.	2	0	LB.

**\*\*\* SUPPLEMENTAL INFORMATION \*\*\***

DE BRACKET TYPE	ODE BRACKET TYPE	MOUNT TYPE	MOTOR ORIENTATION	SEVERE DUTY	HAZARDOUS LOCATION	DRIP COVER	SCREENS	PAINT
STANDARD	STANDARD	RIGID	HORIZONTAL	PREMIUM SEVERE DUTY	NONE	NO	NONE	BLUE - RAL 5003 (EPOXY)

DE	ODE	GREASE	SHAFT TYPE	SPECIAL DE	SPECIAL ODE	SHAFT MATERIAL	FRAME MATERIAL
HEAT STAIL / HEAT STABIL 6206	HEAT STABIL 6205	DC 44M	T	NONE	NONE	1045 HOT ROLLED (C-204)	CAST IRON

THERMOSTATS	PROTECTORS	WDG RTD's	BRG RTD's	THERMISTORS	CONTROL	SPACE HEATERS
TSTATS CLH (N/C)	NOT	NONE	NONE	NONE	FALSE	NA

R1 (ohms/ph)	R2 (ohms/ph)	X1 (ohms/ph)	X2 (ohms/ph)	Xm (ohms/ph)	VIBRATION (in/sec)	FLOAT
7.5734375	5.5078125	20.9984375	25.8171875	344.2390625	0.080	ODE

* N O T E S *	INVERTER TORQUE: VARIABLE 20:1 INV. HP SPEED RANGE: NONE					
	ENCODER: NONE					
	NONE					
	NONE PPR					

PREPARED BY: CHANDANA DESU DATE: 6/20/2022	BRAKE: NONE NONE NONE	FT-LB: NA VOLTAGE: NONE	HZ:
FORM: 3531 REV. 4 2/27/06	UL: V-INS, CONST, OVERHEAT PRT DEV UL REC		