

PRODUCT INFORMATION PACKET

marathon[®]
Motors

Model No: 184TTFW4914

Catalog No: U372

Close-Coupled Pump Motor, 7.50 & 5 HP, 3 Ph, 60 & 50 Hz, 230/460 & 190/380 V, 3600 & 3000 RPM,
184JP Frame, TEFC

Regal and Marathon are trademarks of Regal Rexnord Corporation or one of its affiliated companies.

©2023 Regal Rexnord Corporation, All Rights Reserved. MC017097E

RegalRexnord

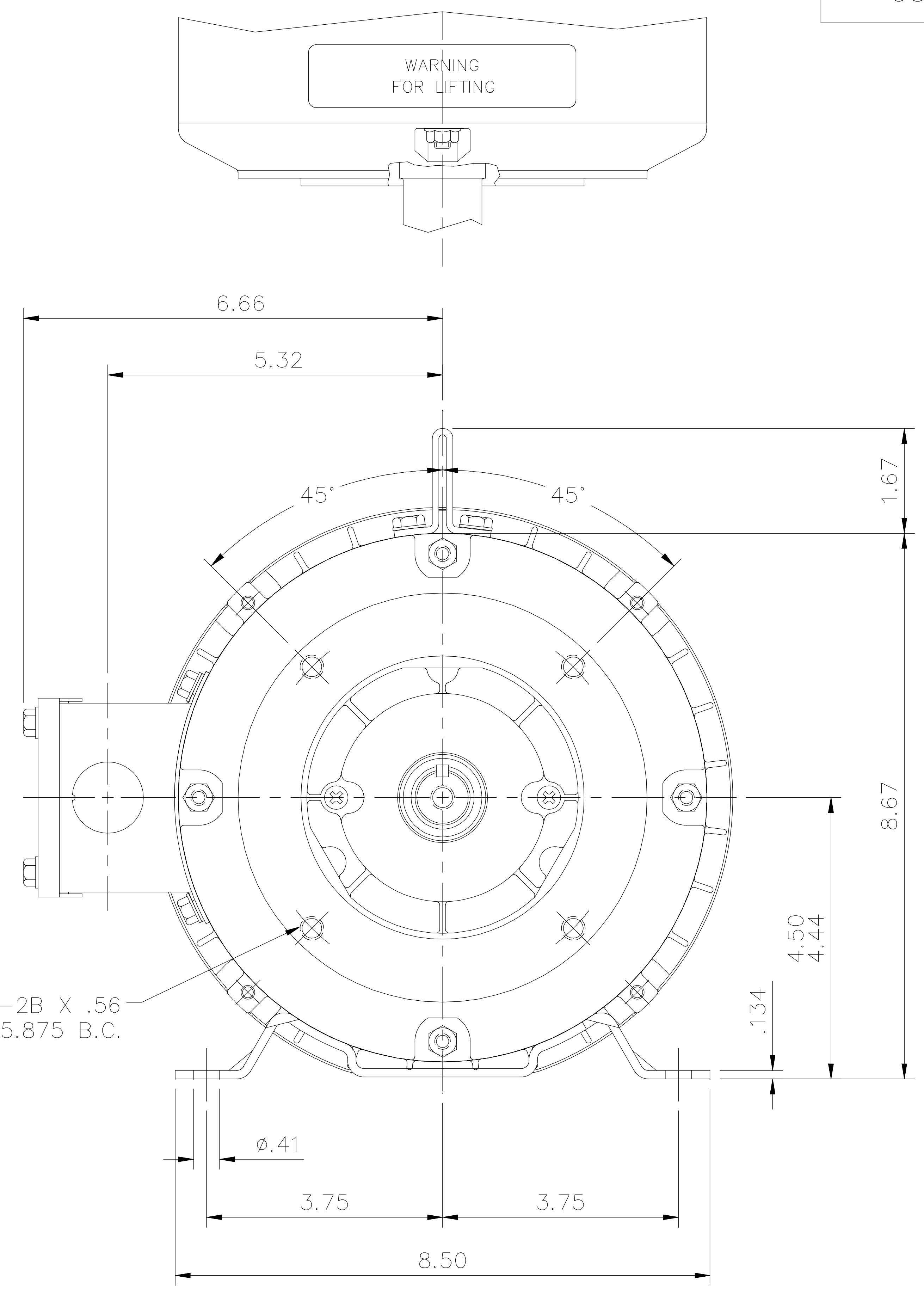
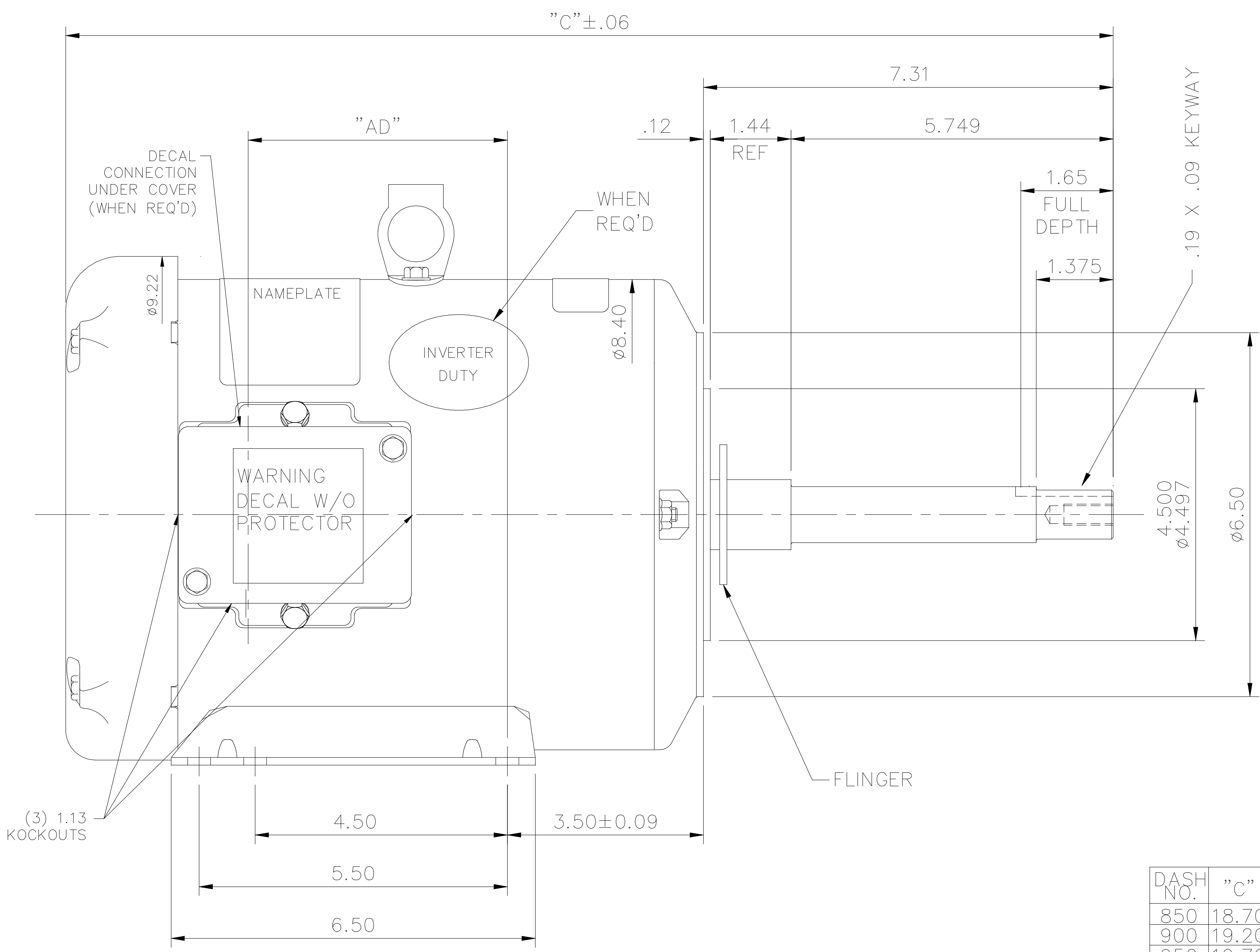
Nameplate Specifications

Phase	3	Output HP	7.50 & 5 Hp
Output KW	5.6 & 3.7 kW	Voltage	230/460 & 190/380 V
Speed	3504 & 2900 rpm	Service Factor	1.15 & 1.0
Frame	184JP	Enclosure	Totally Enclosed Fan Cooled
Thermal Protection	No Protection	Efficiency	88.5 & 87.5 %
Ambient Temperature	40 °C	Frequency	60 & 50 Hz
Current	16.8/8.4 & 14/7 A	Power Factor	94.6
Duty	Continuous	Insulation Class	F
Design Code	B	KVA Code	J
Drive End Bearing Size	6207	Opp Drive End Bearing Size	6205
UL	Recognized	CSA	Y
CE	Y	IP Code	43
Number of Speeds	1		

Technical Specifications

Electrical Type	Squirrel Cage Induction Run	Starting Method	Across The Line
Poles	2	Rotation	Reversible
Resistance Main	.27 Ohms	Mounting	Rigid Base
Motor Orientation	Horizontal	Drive End Bearing	Ball
Opp Drive End Bearing	Ball	Frame Material	Rolled Steel
Shaft Type	JP	Overall Length	21.20 in
Frame Length	11.00 in	Shaft Diameter	0.875 in
Shaft Extension	7.34 in	Assembly/Box Mounting	F1 ONLY
Connection Drawing	005010.01ME	Outline Drawing	035600-1100

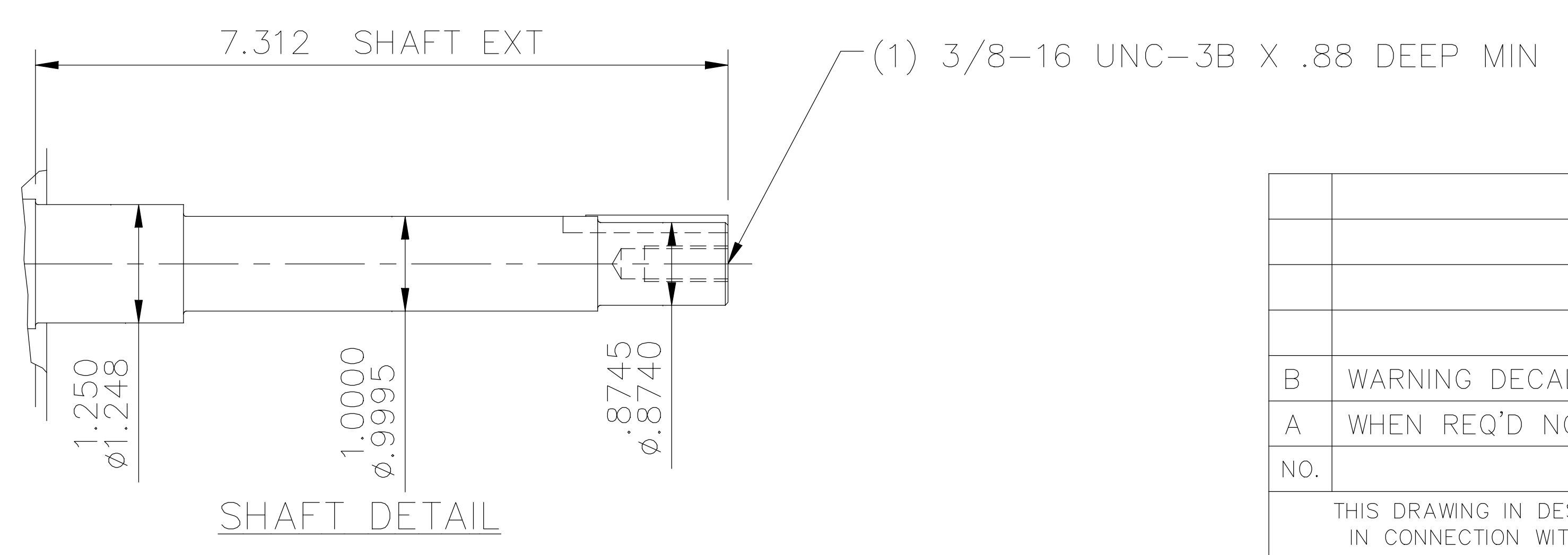
035600



(4) 3/8-16 UNC-2B X .56 DEEP ON A Ø5.875 B.C.

DASH NO.	"C"	"AD"
850	18.70	4.63
900	19.20	5.13
950	19.70	5.63
1000	20.20	7.13
1050	20.70	7.63
1100	21.20	8.13
1150	21.70	8.63

(3) 1.13 KOCKOUTS



GASKETS THROUGHOUT
 MAXIMUM FACE RUNOUT TO BE .004 T.I.R.
 MAXIMUM PILOT ECCENTRICITY TO BE .004 T.I.R.
 PERMISSIBLE SHAFT RUNOUT TO BE .008 T.I.R.

		TOLERANCES UNLESS SPECIFIED		DRAWN VV 08/16/07	
		DEC.	INCHES	CHK	
		.X	±.1	APPD	
		.XX	±.03	TITLE	
B WARNING DECAL ADDED		NK	07/03/18	RG	.XXX ±.005
A WHEN REQ'D NOTE ADDED PER ECO-0043876		UD	01/21/14	GR	.XXXX ±.0005
NO.	REVISION	BY & DATE	CHK	ANG	±1/2'
THIS DRAWING IN DESIGN AND DETAIL IS OUR PROPERTY AND MUST NOT BE USED EXCEPT IN CONNECTION WITH OUR WORK ALL RIGHTS OF DESIGN AND INVENTION ARE RESERVED THIS IS AN ELECTRONICALLY GENERATED DOCUMENT - DO NOT SCALE THIS PRINT		RFP		CAD FILE	035600
		DIST		FINISH	STOCK
				SIZE	DRAWING NO.
				B	035600
				REV.	B



OUTLINE - 180 FRAME
 TEFC - JP PUMP MOUNT

