

PRODUCT INFORMATION PACKET

Model No: 184TTFS6501
Catalog No: E602
5 HP Severe Duty Motor, 3 phase, 3600 RPM, 460 V, 184T Frame, TEFC
Severe Duty Motors



Regal and Marathon are trademarks of Regal Rexnord Corporation or one of its affiliated companies.
©2021 Regal Rexnord Corporation, All Rights Reserved. MC017097E



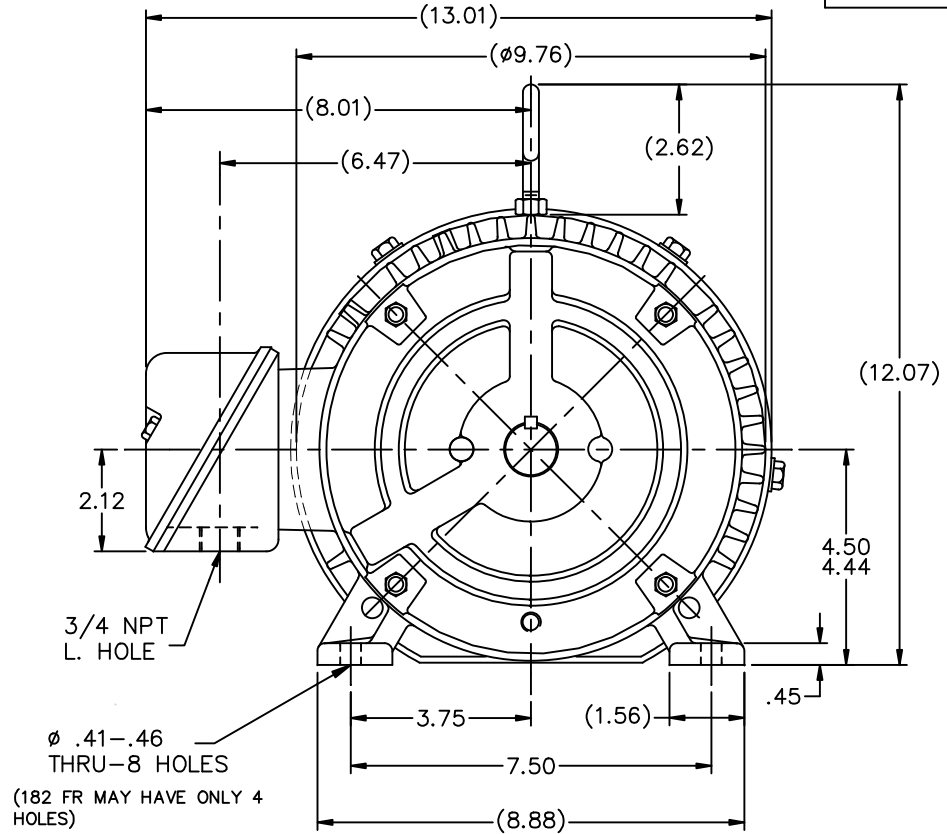
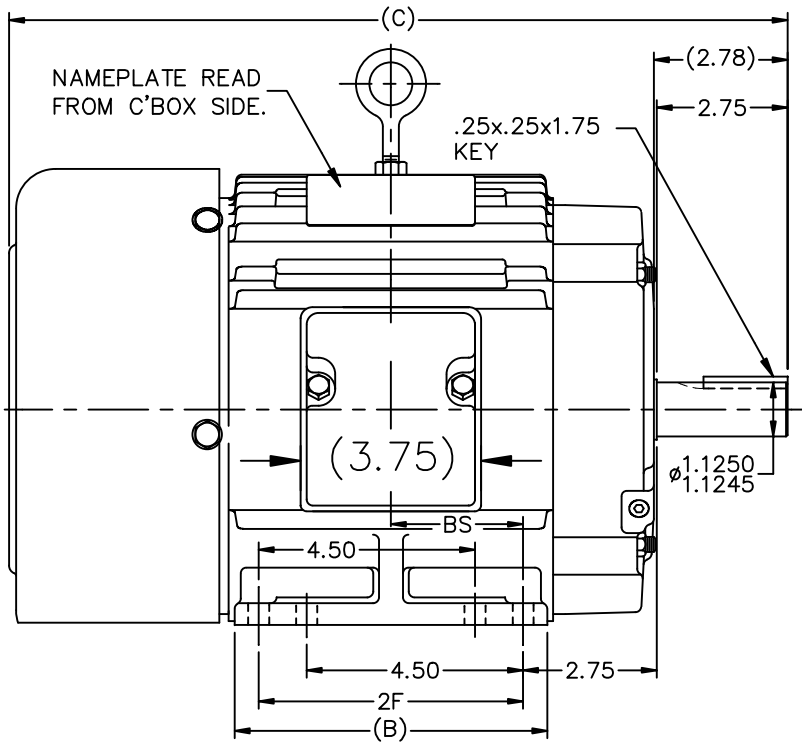
Nameplate Specifications

Output HP	5 Hp	Output KW	3.7 kW
Frequency	60 Hz	Voltage	460 V
Current	5.9 A	Speed	3505 rpm
Service Factor	1.15	Phase	3
Efficiency	88.5 %	Power Factor	88.5
Duty	Continuous	Insulation Class	F
Design Code	B	KVA Code	J
Frame	184T	Enclosure	Totally Enclosed Fan Cooled
Thermal Protection	No	Ambient Temperature	40 °C
Drive End Bearing Size	6206	Opp Drive End Bearing Size	6205
UL	Recognized	CSA	Y
CE	Y	IP Code	54
Number of Speeds	1		

Technical Specifications

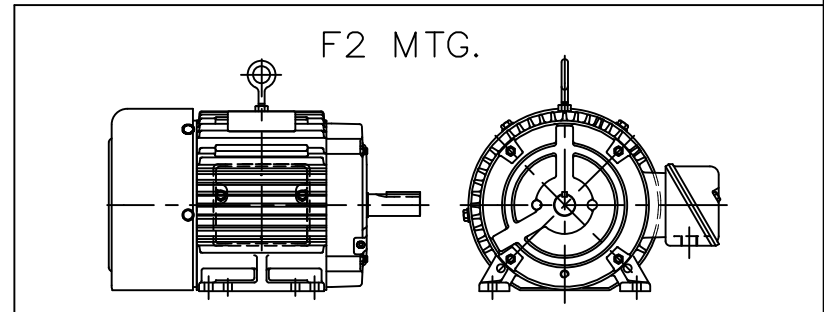
Electrical Type	Squirrel Cage Inverter Rated	Starting Method	Line Or Inverter
Poles	2	Rotation	Reversible
Resistance Main	2.32 Ohms	Mounting	Rigid Base
Motor Orientation	Horizontal	Drive End Bearing	Ball
Opp Drive End Bearing	Ball	Frame Material	Cast Iron
Shaft Type	T	Overall Length	16.19 in
Frame Length	6.75 in	Shaft Diameter	1.125 in
Shaft Extension	2.78 in	Assembly/Box Mounting	F1/F2 Capable
Connection Drawing	A-EE7300	Outline Drawing	A-SS63661-675

This is an uncontrolled document once printed or downloaded and is subject to change without notice. Date Created:10/11/2021



BOX CAN BE MOUNTED ON OPPOSITE SIDE BY REMOVING BRACKETS & TURNING FRAME 180°.

BOX CAN BE ROTATED IN 90° STEPS.



DASH	FR.	C	B	2F	BS
575	182T	15.19	5.50	4.50	2.25
675	184T	16.19	6.50	5.50	2.75
800	184T	17.44	7.75	5.50	3.38

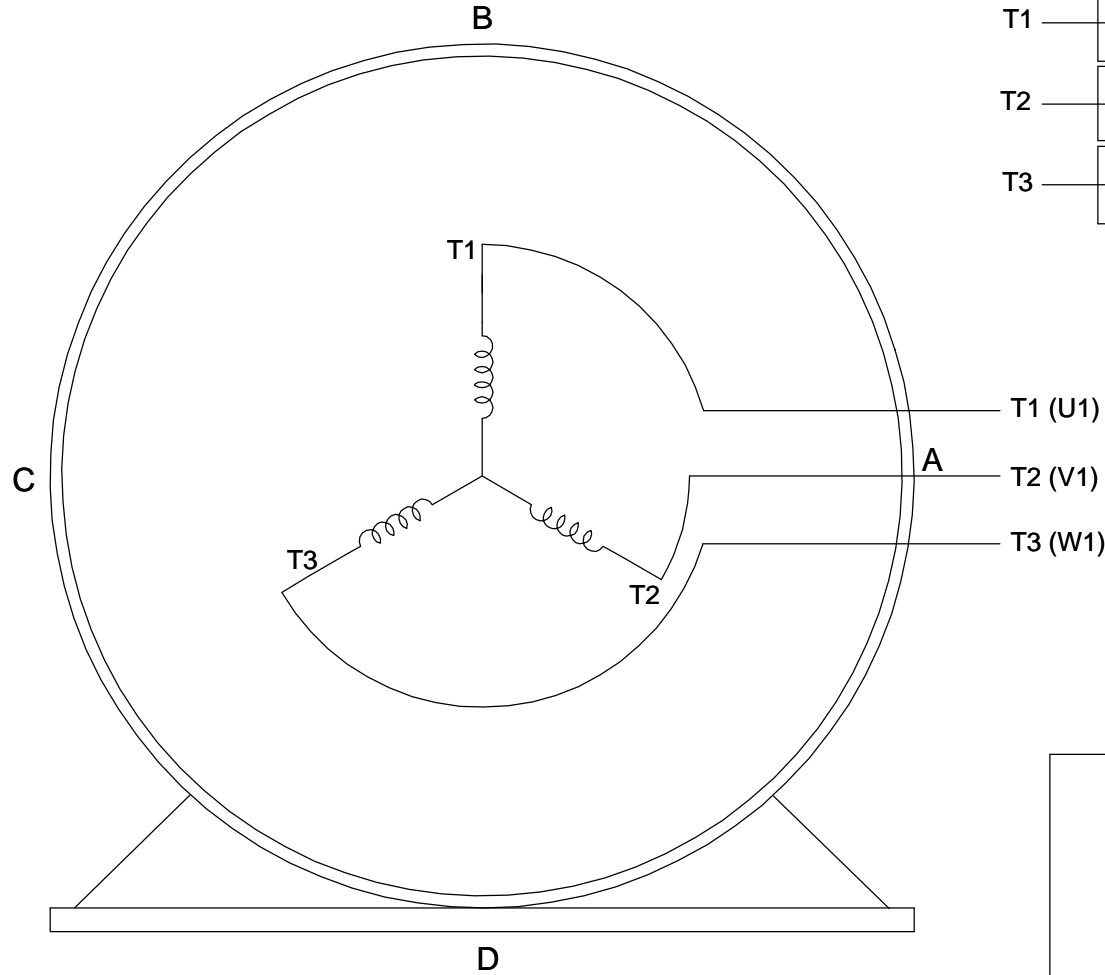
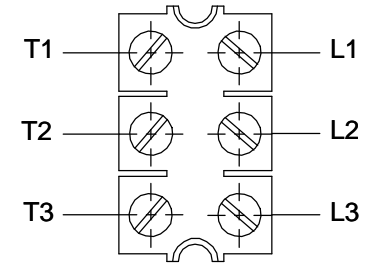
NO.	REVISION	BY & DATE	CHK	ANG	TOLERANCES UNLESS SPECIFIED
13	CHG COND. BOX DIM, WAS 5.00 NOW 3.75 ECN 18821	TF 01/31/2011	EMH		
12	REDRAWN IN AUTOCAD	TAT 06-29-2004	ML	DEC.	INCHES
11	UPDATED MOUNTING HOLE NOTE CN 26000-581	DRS 01-02-2002	ML	.X	±.1
10	ADDED 182 FR. MAY HAV... NOTE CN 26000-581	MRB 07-02-1998		.XX	±.03
9	ADDED 4 MOUNTING HOLES	MJD 06-09-1998		.XXX	±.005
8	ADDED NEMA "O" DIMENSION	MRB 09-12-1996		.XXXX	±.0005
			RFP		
			DIST	LB	

		DRAWN RM 01-08-1993	
TITLE OUTLINE 180 FR. - BB - TS - TEFC		CHK ML 01-13-1993	
MAT'L.		APPD GK 01-13-1993	
FINISH		SCALE 1=4	
CAD FILE ss63661		REF	
SIZE A	DRAWING NO. SS63661	PAGE OF	REV. 13

**THREE PHASE - SINGLE VOLTAGE
MOTOR - CONDUIT BOX @ 'A'**

**TO REVERSE ROTATION:
INTERCHANGE ANY TWO
LINE LEAD CONNECTIONS.**

TERMINAL BLOCK WHEN SPECIFIED



VIEW OF TERMINAL END

**IF MOTOR HAS
6 LEADS**



A-9806 DECAL

**OPTIONAL CORD
CONNECTION**

- L1 _____ WHITE _____
- L2 _____ RED _____
- L3 _____ BLACK _____

DRAWING REVISION AB	REVISION BY JJB	DATE 06-27-2017
ECO ECO-0125361	APPROVED BY TB	DATE 06-27-2017
ECO DESCRIPTION UPDATED TO CURRENT STANDARDS		
<small>COPYRIGHT REGAL BELOIT AMERICA, INC. ALL RIGHTS RESERVED. PROPRIETARY AND CONFIDENTIAL INFORMATION - THIS DOCUMENT IS THE PROPERTY OF REGAL BELOIT AMERICA, INC. ("OWNER") AND CONTAINS OWNER'S PROPRIETARY INFORMATION. ANY PERSON, CORPORATION OR OTHER FIRM RECEIVING IT IS DEEMED, BY RECEIVING IT, TO AGREE THAT IT, AND/OR ANY PART OF IT, SHALL NOT BE DISCLOSED TO ANY PERSON, CORPORATION OR OTHER ENTITY, DUPLICATED, AND/OR USED, EXCEPT AS EXPRESSLY APPROVED IN WRITING IN ADVANCE BY OWNER. THIS DOCUMENT SHALL BE RETURNED TO OWNER UPON REQUEST. IT MAY BE SUBJECT TO CERTAIN RESTRICTIONS UNDER APPLICABLE EXPORT CONTROL LAWS AND REGULATIONS.</small>		



DRAWN BY DA
DATE 03-26-1993
APPROVED BY TB
DATE 03-26-1993
REFERENCE
THIRD ANGLE PROJECTION

Regal Beloit America, Inc.	
MATERIAL	PROCESS/FINISH
SIZE A	DRAWING NUMBER EE7300
SHEET 1 OF 1	

Data Sheet

Date: 6/19/2017

Customer: _____

Attention: _____

Submitted by: FAREEDA DUDEKULA



184TFS6501

Submittal

Data @ 460 V

Motor Load Data

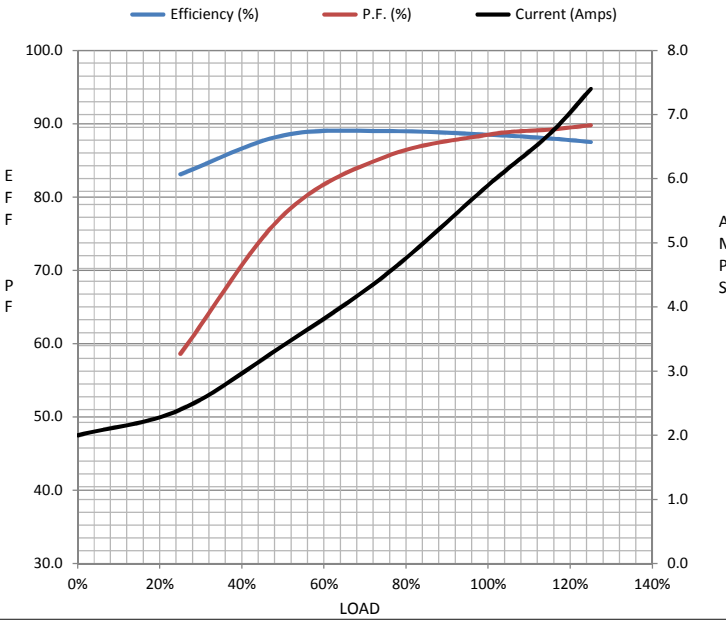
Load	0%	25%	50%	75%	100%	115%	125%	LR
Current (Amps)	2.00	2.40	3.4	4.5	5.9	6.7	7.4	40.5
Torque (ft-lb)	0.00	1.80	3.7	5.5	7.5	8.6	9.4	12.0
RPM	3600	3580	3560	3535	3505	3,490	3480	0
Efficiency (%)		83.1	88.4	89.0	88.5	88.0	87.5	
P.F. (%)	11.5	58.6	77.5	85.5	88.5	89.2	89.8	41.0

Motor Speed Data

	LR	Pull-Up	BD	Rated	Idle
Speed (RPM)	0	1800	3000	3505	3600
Current (Amps)	40.5	37.0	25.5	5.9	2.00
Torque (ft-lb)	12.0	10.5	22.0	7.5	0.00

Information Block

HP	5.0
Sync. RPM	3600
Frame	184
Enclosure	TEFC
Construction	TFS
Voltage	460 V
Frequency	60 Hz
Design	B
LR Code letter	J
Service Factor	1.15
Temp Rise @ FL	50 °C
Duty	CONT
Ambient	40 °C
Elevation	1,000 feet
Rotor/Shaft wk ²	0.30 Lb-Ft ²
Ref Wdg	1842116 NONE
Sound Pressure @ 1M	72 dBA
VFD Rating	CONSTANT 20:1
Outline Dwg	A-SS63661-675
Conn. Diag	A-EE7300



Additional Specifications:

0

0

EQUIV CKT (OHMS / PHASE)

R1	R2	X1	X2	Xm
1.3920	1.1300	4.8110	1.8460	124.9600

Speed -Torque Curve

