

# PRODUCT INFORMATION PACKET

**marathon**<sup>®</sup>  
Motors

Model No: 184TTFS4555

Catalog No: U868

Other Purpose Motor, 5 & 3 HP, 3 Ph, 60 & 50 Hz, 230/460 & 190/380 V, 1800 & 1500 RPM, 184T Frame,  
TEFC

Regal and Marathon are trademarks of Regal Rexnord Corporation or one of its affiliated companies.

©2023 Regal Rexnord Corporation, All Rights Reserved. MC017097E

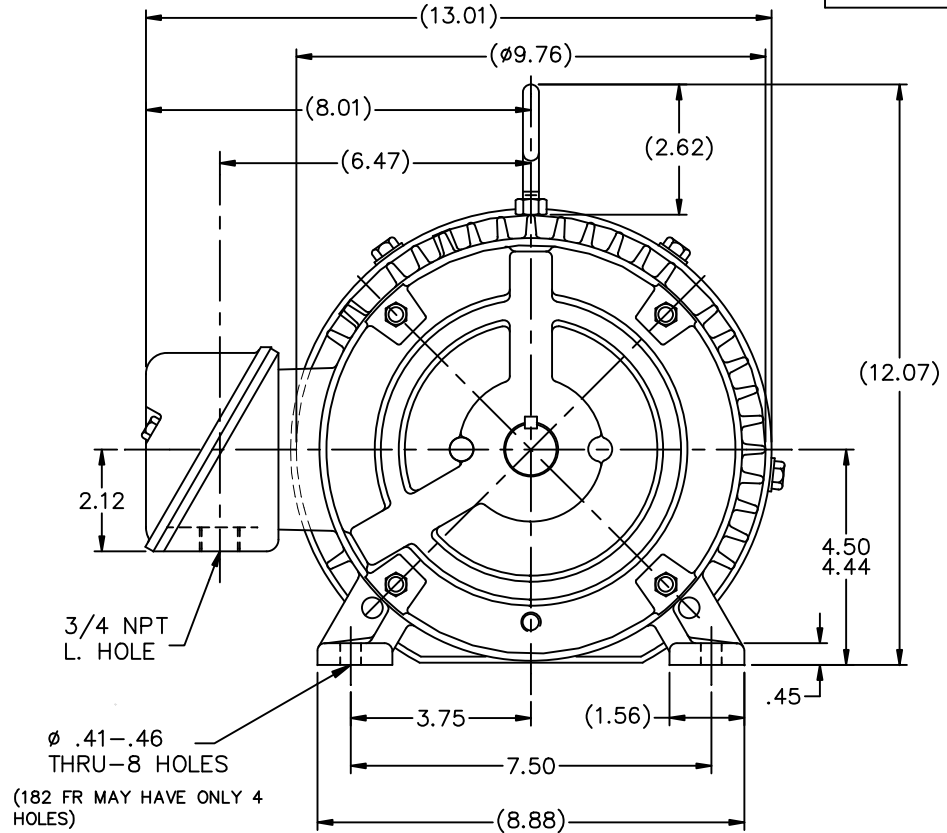
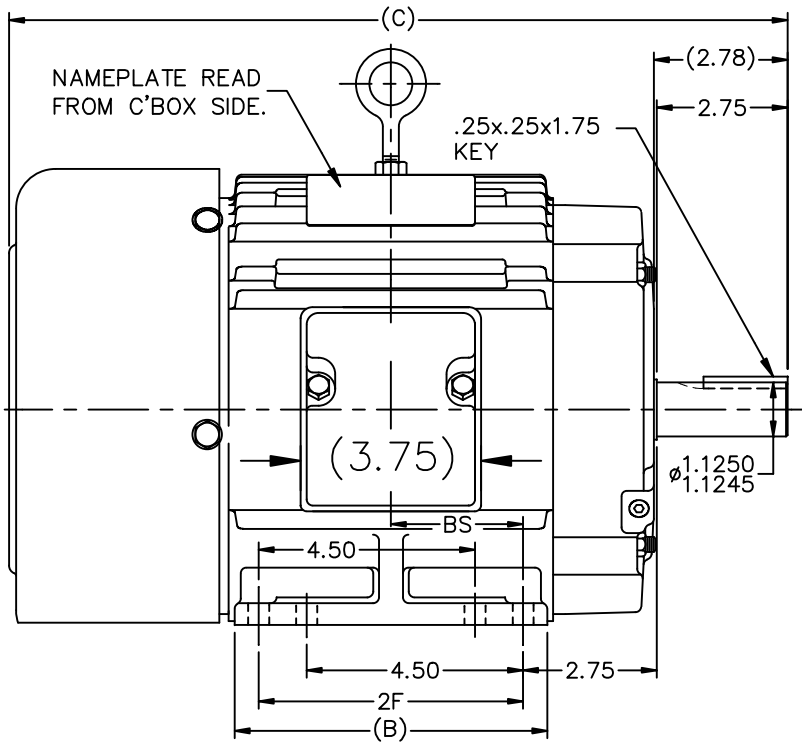
**RegalRexnord**

### Nameplate Specifications

Phase	<b>3</b>	Output HP	<b>5 &amp; 3 Hp</b>
Output KW	<b>3.7 &amp; 2.2 kW</b>	Voltage	<b>230/460 &amp; 190/380 V</b>
Speed	<b>1745 &amp; 1465 rpm</b>	Service Factor	<b>1.15 &amp; 1.15</b>
Frame	<b>184T</b>	Enclosure	<b>Totally Enclosed Fan Cooled</b>
Thermal Protection	<b>No Protection</b>	Efficiency	<b>87.5 &amp; 88.5 %</b>
Ambient Temperature	<b>40 °C</b>	Frequency	<b>60 &amp; 50 Hz</b>
Current	<b>13/6.5 &amp; 10/5 A</b>	Power Factor	<b>83</b>
Duty	<b>Continuous</b>	Insulation Class	<b>F</b>
Design Code	<b>B</b>	KVA Code	<b>J</b>
Drive End Bearing Size	<b>6206</b>	Opp Drive End Bearing Size	<b>6205</b>
UL	<b>Recognized</b>	CSA	<b>Y</b>
CE	<b>Y</b>	IP Code	<b>55</b>
Number of Speeds	<b>1</b>		

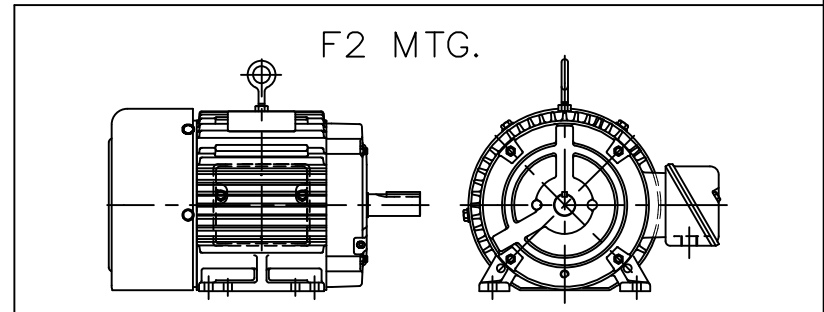
### Technical Specifications

Electrical Type	<b>Squirrel Cage Induction Run</b>	Starting Method	<b>Across The Line</b>
Poles	<b>4</b>	Rotation	<b>Reversible</b>
Resistance Main	<b>3.05 Ohms</b>	Mounting	<b>Rigid Base</b>
Motor Orientation	<b>Horizontal</b>	Drive End Bearing	<b>Ball</b>
Opp Drive End Bearing	<b>Ball</b>	Frame Material	<b>Cast Iron</b>
Shaft Type	<b>T</b>	Overall Length	<b>16.19 in</b>
Frame Length	<b>6.75 in</b>	Shaft Diameter	<b>1.125 in</b>
Shaft Extension	<b>2.78 in</b>	Assembly/Box Mounting	<b>F1/F2 CAPABLE</b>
Outline Drawing	<b>A-SS63661-675</b>	Connection Drawing	<b>A-EE7308</b>



BOX CAN BE MOUNTED ON OPPOSITE SIDE BY REMOVING BRACKETS & TURNING FRAME 180°.

BOX CAN BE ROTATED IN 90° STEPS.



DASH	FR.	C	B	2F	BS
575	182T	15.19	5.50	4.50	2.25
675	184T	16.19	6.50	5.50	2.75
800	184T	17.44	7.75	5.50	3.38

NO.	REVISION	BY & DATE	CHK	ANG	TOLERANCES UNLESS SPECIFIED
13	CHG COND. BOX DIM, WAS 5.00 NOW 3.75 ECN 18821	TF 01/31/2011	EMH		
12	REDRAWN IN AUTOCAD	TAT 06-29-2004	ML	DEC.	INCHES
11	UPDATED MOUNTING HOLE NOTE CN 26000-581	DRS 01-02-2002	ML	.X	±.1
10	ADDED 182 FR. MAY HAV... NOTE CN 26000-581	MRB 07-02-1998		.XX	±.03
9	ADDED 4 MOUNTING HOLES	MJD 06-09-1998		.XXX	±.005
8	ADDED NEMA "O" DIMENSION	MRB 09-12-1996		.XXXX	±.0005
					±.7'30"

		DRAWN RM 01-08-1993	
		CHK ML 01-13-1993	
		APPD GK 01-13-1993	
TITLE OUTLINE		SCALE 1=4	
180 FR. - BB - TS - TEFC		REF	
MAT'L.		FMF	
FINISH		PREV	
RFP	CAD FILE ss63661	SIZE A	DRAWING NO. SS63661
DIST LB		PAGE	OF 13

THIS DRAWING IN DESIGN AND DETAIL IS OUR PROPERTY AND MUST NOT BE USED EXCEPT IN CONNECTION WITH OUR WORK ALL RIGHTS OF DESIGN AND INVENTION ARE RESERVED THIS IS AN ELECTRONICALLY GENERATED DOCUMENT - DO NOT SCALE THIS PRINT



NO.	REVISION	BY & DATE	CHK	ANG	TOLERANCES UNLESS SPECIFIED		FINISH	DRAWN RM 11/20/1990				
					DEC.	INCHES						
5	CHG TO REGAL LOGO	SL 09/10/2015	AB					CHK ML 11/21/1990				
4	REVISED IEC NOTATIONS	MSG 11/15/2011	CMN	.X	±.1			APPD SAS 04/24/2003				
3	ADDED IEC NOTATIONS... (U1), (V1) ETC. MU95194	MSG 5/10/2010	MJS	.XX	±.02			SCALE 1=1				
2	ADDED THE OPTIONAL CORD CONNECTION MU46318	RDH 04/24/2003	DRS	.XXX	±.005		TITLE CONNECTION DIAGRAM 3Ø - DUAL VOLTAGE MOTOR	REF				
1	REDRAWN	RM 11/20/1990		.XXXX	±.0005		MAT'L.	FMF				
					±7'30"			PREV				
THIS DRAWING IN DESIGN AND DETAIL IS OUR PROPERTY AND MUST NOT BE USED EXCEPT IN CONNECTION WITH OUR WORK ALL RIGHTS OF DESIGN AND INVENTION ARE RESERVED THIS IS AN ELECTRONICALLY GENERATED DOCUMENT - DO NOT SCALE THIS PRINT							RFP	CAD FILE ee7308	SIZE A	DRAWING NO. EE7308	PAGE OF 5	REV. 5
							DIST WP					