

PRODUCT INFORMATION PACKET

marathon[®]
Motors

Model No: 184TTFR4345

Catalog No: C387

5 HP General Purpose Motor, 3 phase, 1800 RPM, 575 V, 184TC Frame, TEFC
General Purpose Motors

Regal and Marathon are trademarks of Regal Rexnord Corporation or one of its affiliated companies.
©2021 Regal Rexnord Corporation, All Rights Reserved. MC017097E

RegalRexnord



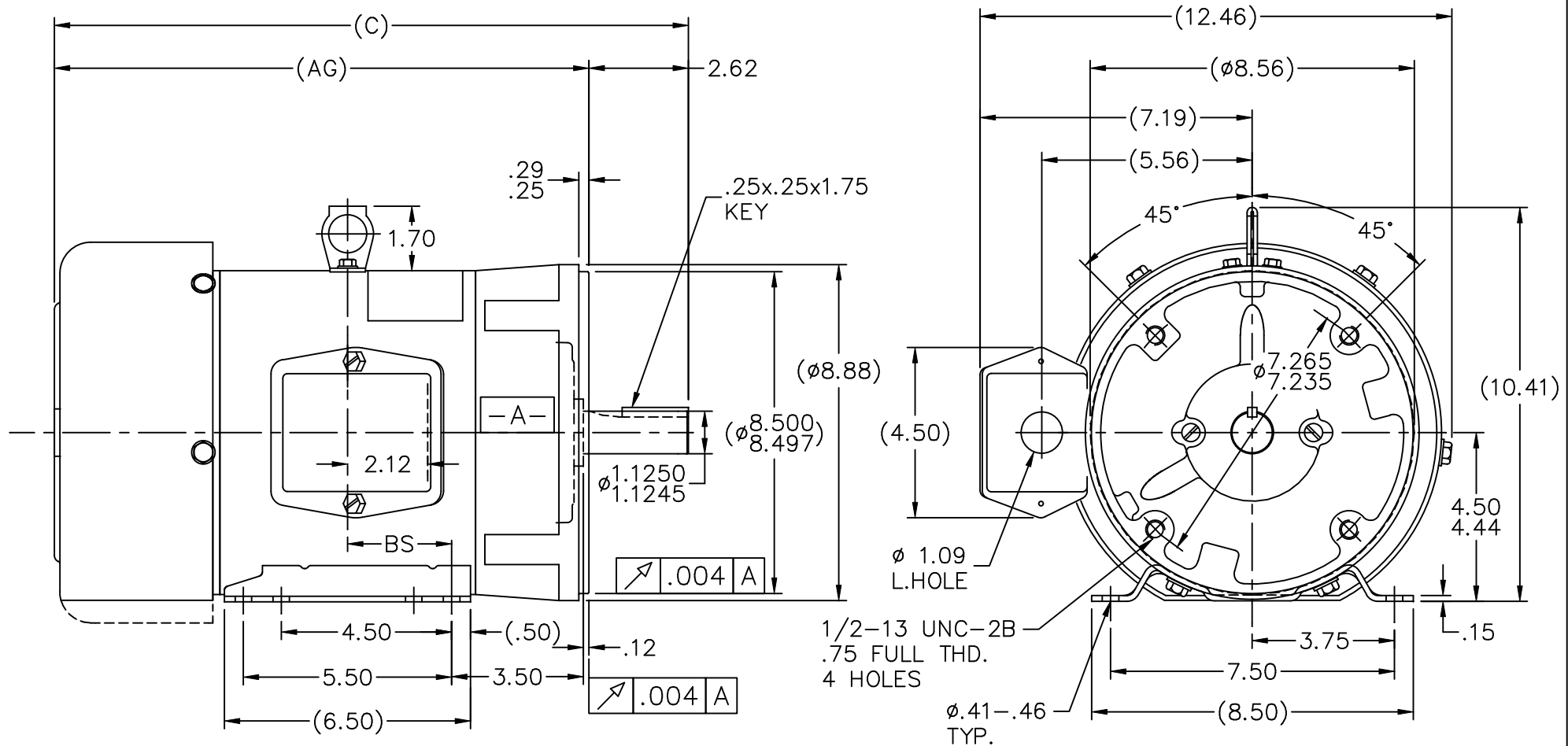
Nameplate Specifications

Output HP	5 Hp	Output KW	3.7 kW
Frequency	60 Hz	Voltage	575 V
Current	5.2 A	Speed	1745 rpm
Service Factor	1.15	Phase	3
Efficiency	87.5 %	Power Factor	82.5
Duty	Continuous	Insulation Class	F
Design Code	B	KVA Code	J
Frame	184TC	Enclosure	Totally Enclosed Fan Cooled
Thermal Protection	No	Ambient Temperature	40 °C
Drive End Bearing Size	6207	Opp Drive End Bearing Size	6205
UL	Recognized	CSA	Y
CE	Y	IP Code	43
Number of Speeds	1		

Technical Specifications

Electrical Type	Squirrel Cage Induction Run	Starting Method	Across The Line
Poles	4	Rotation	Reversible
Resistance Main	3.05 Ohms	Mounting	Bolt-on Base
Motor Orientation	Horizontal Or Shaft Down	Drive End Bearing	Ball
Opp Drive End Bearing	Ball	Frame Material	Rolled Steel
Shaft Type	T	Overall Length	16.50 in
Frame Length	6.75 in	Shaft Diameter	1.125 in
Shaft Extension	2.75 in	Assembly/Box Mounting	F1/F2 CAPABLE
Outline Drawing	A-SS69258-675	Connection Drawing	A-EE7300

This is an uncontrolled document once printed or downloaded and is subject to change without notice. Date Created:10/11/2021



NOTES:

1. CONDUIT BOX CAN BE ROTATED IN 90° STEPS.
2. NAMEPLATE TO BE READ FROM SHAFT END OF MOTOR.
3. REMOVABLE BASE
4. PROVISIONS FOR DRIP COVER

DASH	FR.	C	AG	BS
575	182T	15.50	12.88	2.25
625	182T	16.00	13.38	2.50
675	184T	16.50	13.88	2.75

				TOLERANCES UNLESS SPECIFIED		MARATHON ELECTRIC	DRAWN HLB 04-17-2002					
				DEC.	INCHES		CHK	ML	PH	04-17-2002		
4	REVISED DASH'S (AG)	RJW	12-21-2004	ML	.X	±.1	APPD	PH	04-18-2002	SCALE	1=4	
3	REDRAWN IN AUTOCAD	TAT	06-29-2004	ML	.XX	±.03	TITLE	OUTLINE		REF		
2	REM'D MIN. FRAME LENGTH NOTE, ADD'D -575 MU41322	HLB	04-23-2002	ML	.XXX	±.005	180 FR. - TEFC - C' FACE					
1	NEW DRAWING MU41322	HLB	04-18-2002	PH	.XXXX	±.0005	MAT'L.			FMF		
NO.	REVISION	BY & DATE		CHK	ANG	±7'30"	FINISH			PREV		
THIS DRAWING IN DESIGN AND DETAIL IS OUR PROPERTY AND MUST NOT BE USED EXCEPT IN CONNECTION WITH OUR WORK ALL RIGHTS OF DESIGN AND INVENTION ARE RESERVED THIS IS AN ELECTRONICALLY GENERATED DOCUMENT - DO NOT SCALE THIS PRINT				RFP	CAD FILE ss69258			SIZE	DRAWING NO.	PAGE	OF	REV.
				DIST	LB		A	SS69258			4	

**THREE PHASE - SINGLE VOLTAGE
MOTOR - CONDUIT BOX @ 'A'**

**TO REVERSE ROTATION:
INTERCHANGE ANY TWO
LINE LEAD CONNECTIONS.**

TERMINAL BLOCK WHEN SPECIFIED



VIEW OF TERMINAL END

**IF MOTOR HAS
6 LEADS**



A-9806 DECAL

**OPTIONAL CORD
CONNECTION**

- L1 _____ WHITE _____
- L2 _____ RED _____
- L3 _____ BLACK _____

DRAWING REVISION AB	REVISION BY JJB	DATE 06-27-2017
ECO ECO-0125361	APPROVED BY TB	DATE 06-27-2017
ECO DESCRIPTION UPDATED TO CURRENT STANDARDS		
<small>COPYRIGHT REGAL BELOIT AMERICA, INC. ALL RIGHTS RESERVED. PROPRIETARY AND CONFIDENTIAL INFORMATION - THIS DOCUMENT IS THE PROPERTY OF REGAL BELOIT AMERICA, INC. ("OWNER") AND CONTAINS OWNER'S PROPRIETARY INFORMATION. ANY PERSON, CORPORATION OR OTHER FIRM RECEIVING IT IS DEEMED, BY RECEIVING IT, TO AGREE THAT IT, AND/OR ANY PART OF IT, SHALL NOT BE DISCLOSED TO ANY PERSON, CORPORATION OR OTHER ENTITY, DUPLICATED, AND/OR USED, EXCEPT AS EXPRESSLY APPROVED IN WRITING IN ADVANCE BY OWNER. THIS DOCUMENT SHALL BE RETURNED TO OWNER UPON REQUEST. IT MAY BE SUBJECT TO CERTAIN RESTRICTIONS UNDER APPLICABLE EXPORT CONTROL LAWS AND REGULATIONS.</small>		



DRAWN BY DA
DATE 03-26-1993
APPROVED BY TB
DATE 03-26-1993
REFERENCE
THIRD ANGLE PROJECTION

Regal Beloit America, Inc.		
		DESCRIPTION CONNECTION DIAGRAM EXTERNAL - SINGLE VOLTAGE - 3Ø MOTOR
MATERIAL	PROCESS/FINISH	
SIZE A	DRAWING NUMBER EE7300	SHEET 1 OF 1