

PRODUCT INFORMATION PACKET

Model No: 184TTFC7290

Catalog No: Y380A

Multispeed Motor, 3 & 0.75 HP, 3 Ph, 60 & 60 Hz, 460 & 460 V, 1800 & 1800 RPM, 184T Frame, TEFC



Regal and Marathon are trademarks of Regal Rexnord Corporation or one of its affiliated companies.

©2023 Regal Rexnord Corporation, All Rights Reserved. MC017097E

Nameplate Specifications

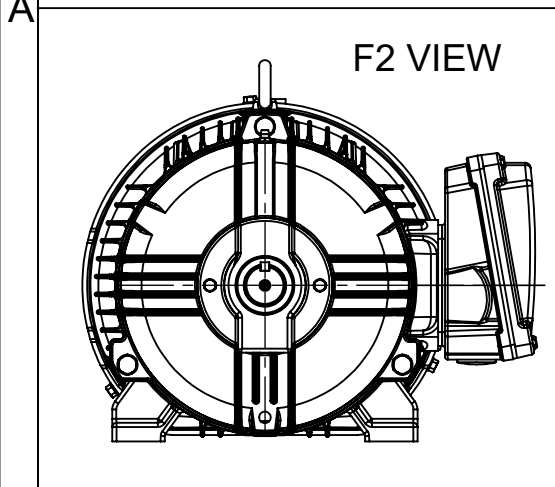
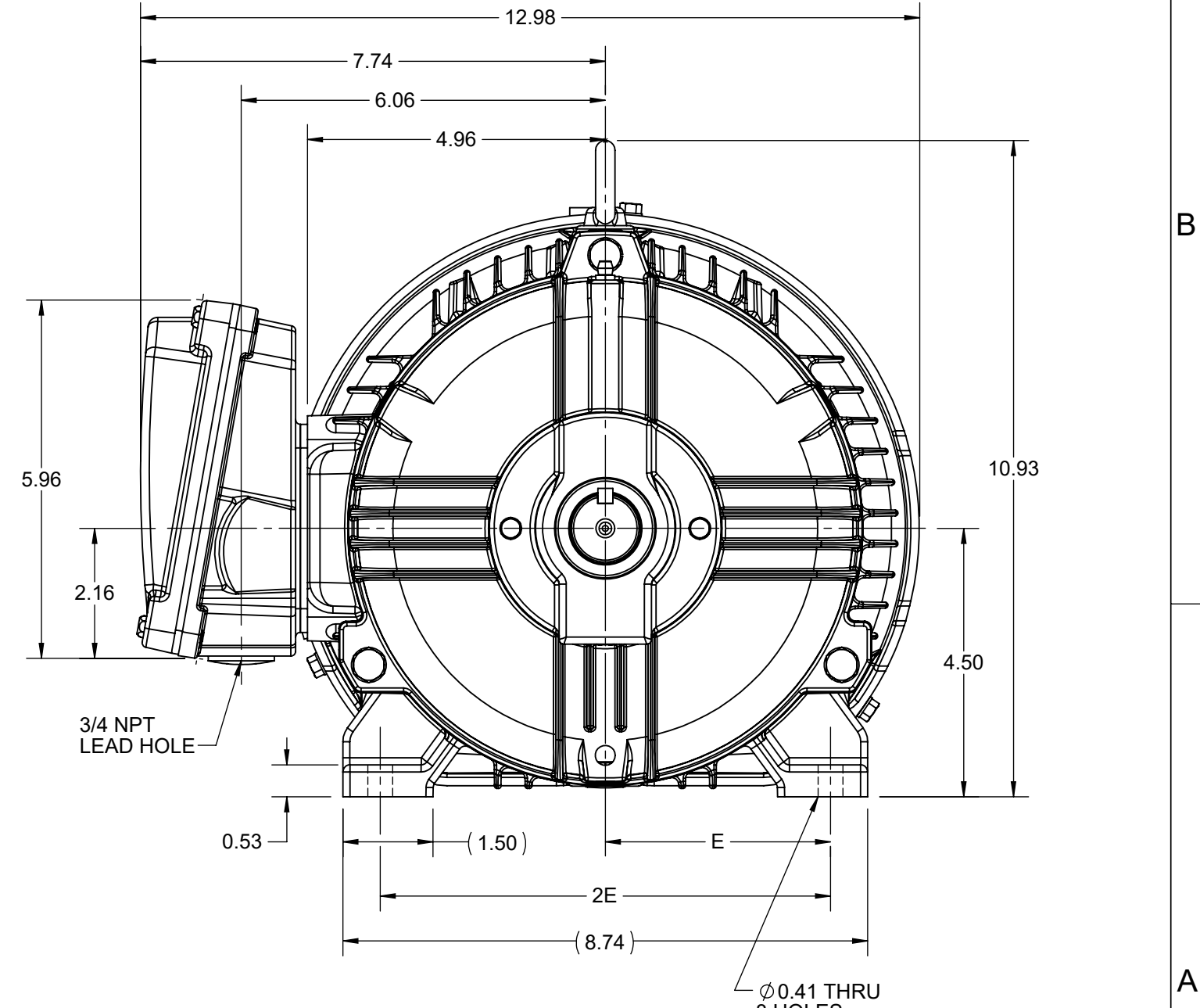
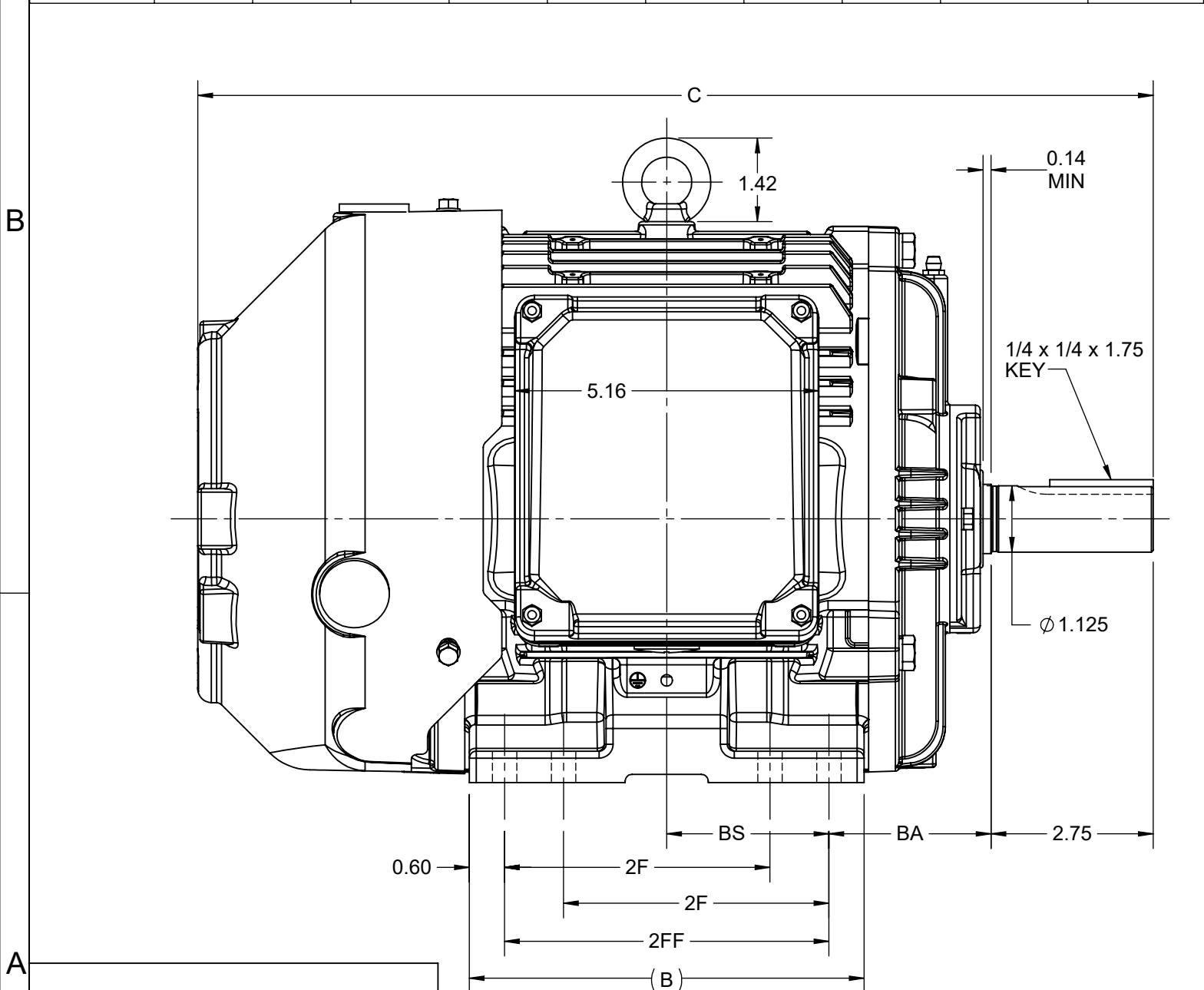
Phase	3	Output HP	3 & 0.75 Hp
Output KW	2.2 & 0.56 kW	Voltage	460 & 460 V
Speed	1768 & 875 rpm	Service Factor	1.15 & 1.15
Frame	184T	Enclosure	Totally Enclosed Fan Cooled
Thermal Protection	No Protection	Efficiency	86.5 & 77 %
Ambient Temperature	40 °C	Frequency	60 & 60 Hz
Current	4 & 1.7 A	Power Factor	81
Duty	Continuous	Insulation Class	H
Design Code	1VT	KVA Code	K
Drive End Bearing Size	6206	Opp Drive End Bearing Size	6205
UL	Recognized	CSA	Y
CE	Y	IP Code	55
Number of Speeds	2		

Technical Specifications

Electrical Type	Squirrel Cage Induction Run	Starting Method	Across The Line
Poles	4/8	Rotation	Reversible
Resistance Main	4.7756 Ohms	Mounting	Rigid Base
Motor Orientation	Horizontal	Drive End Bearing	Ball
Opp Drive End Bearing	Ball	Frame Material	Cast Iron
Shaft Type	T	Shaft Diameter	1.125 in
Assembly/Box Mounting	F1/F2 CAPABLE		
Connection Drawing	EE7322	Outline Drawing	SS600210-200

This is an uncontrolled document once printed or downloaded and is subject to change without notice. Date Created:06/23/2023

DASH NO.	4			3				MOUNTING	FRAME	
	B	C	E	2E	2F	2FF	BA			BS
100	5.67	15.20	3.75	7.50	-	4.50	2.75	2.35	F1 OR F2	182T
200	6.69	16.20			4.50	5.50			2.75	F1 OR F2



DRAWING REVISION D	REVISION BY SRK	REV DATE/© DATE 03/04/2023
REQUEST NUMBER CR-0014591	APPROVED BY BISWA	DATE 03/04/2023
REQUEST NUMBER DESCRIPTION DRAWING UPDATED.		
<small>COPYRIGHT (PER REVISION DATE) REGAL BELOIT AMERICA, INC. ALL RIGHTS RESERVED. PROPRIETARY AND CONFIDENTIAL INFORMATION - THIS DOCUMENT IS THE PROPERTY OF REGAL BELOIT AMERICA, INC. ("OWNER") AND CONTAINS OWNER'S PROPRIETARY INFORMATION. ANY PERSON, CORPORATION OR OTHER FIRM RECEIVING IT IS DEEMED, BY RECEIVING IT, TO AGREE THAT IT, AND/OR ANY PART OF IT, SHALL NOT BE DISCLOSED TO ANY PERSON, CORPORATION OR OTHER ENTITY, DUPLICATED, AND/OR USED, EXCEPT AS EXPRESSLY APPROVED IN WRITING IN ADVANCE BY OWNER. THIS DOCUMENT SHALL BE RETURNED TO OWNER UPON REQUEST. IT MAY BE SUBJECT TO CERTAIN RESTRICTIONS UNDER APPLICABLE EXPORT CONTROL LAWS AND REGULATIONS.</small>		

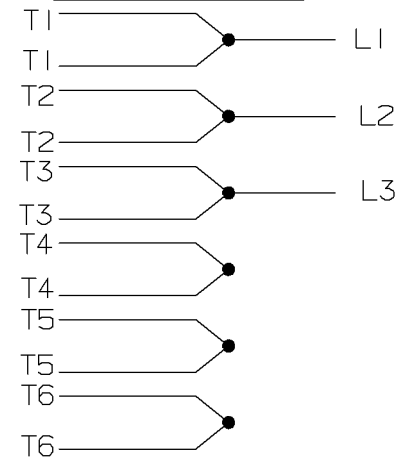
PRIMARY DIMENSIONS ARE INCH
mm DIMENSIONS IN [BRACKETS]
ARE FOR REFERENCE ONLY

DRAWN BY BISWA	Regal Beloit America, Inc.
DATE 24/12/2018	
APPROVED BY SBD	DESCRIPTION OUTLINE 182/184T FR-NEMA-SD & IEEE841
DATE 24/12/2018	MATERIAL
REFERENCE	PROCESS/FINISH
THIRD ANGLE PROJECTION	SIZE B
	DRAWING NUMBER SS600210
	SHEET 1 OF 1

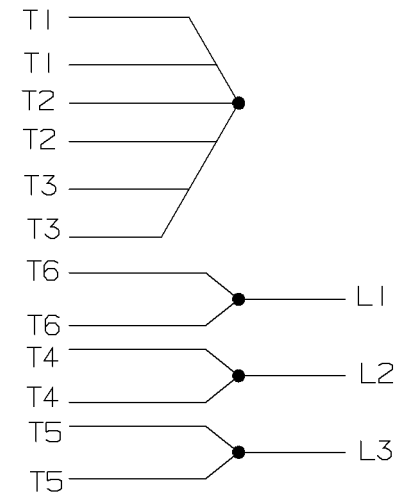
A- EE7322

FOR DUAL LEADS

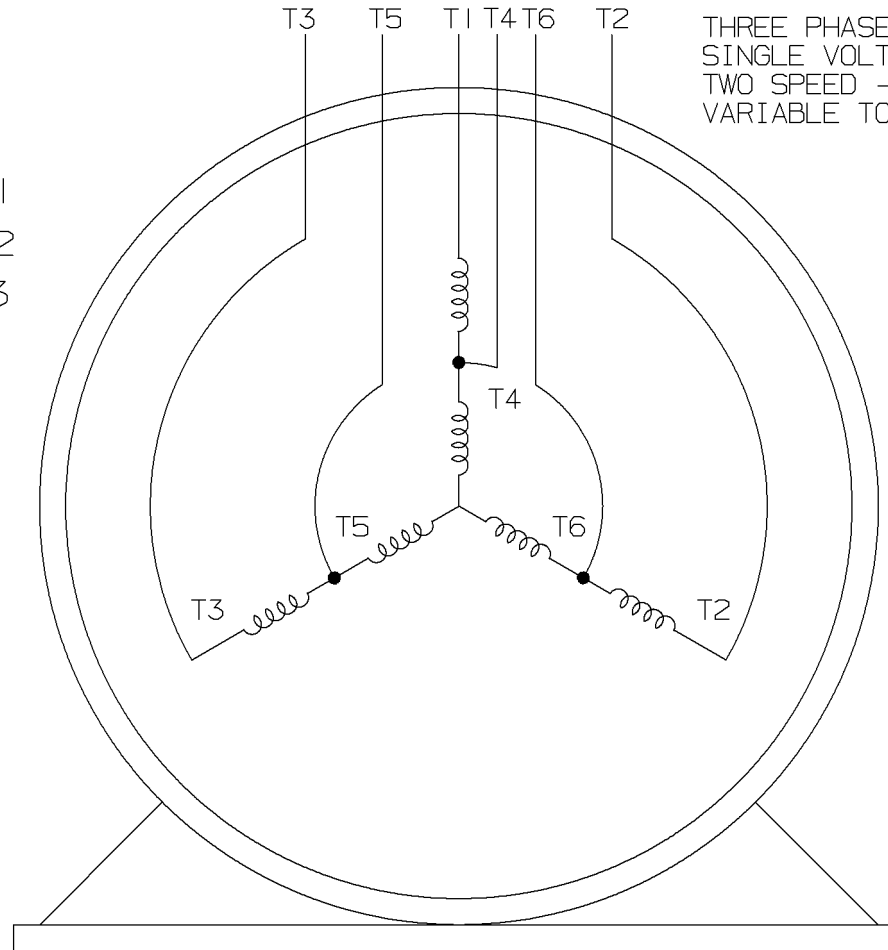
LOW SPEED



HIGH SPEED

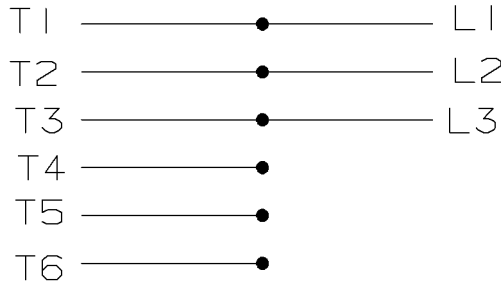


THREE PHASE MOTOR
SINGLE VOLTAGE
TWO SPEED - SGL. WDG.
VARIABLE TORQUE

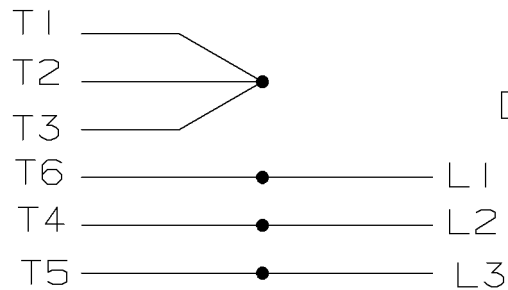


VIEW OF TERMINAL END

LOW SPEED




HIGH SPEED



T612C

T48B

				✓ MAX. SURFACE ROUGHNESS UNLESS NOTED OTHERWISE	UNLESS OTHERWISE SPECIFIED DIMENSIONS ARE IN INCHES TOL. ON XX± XXX±.005 XXXX±.0005 ANGLES±		
				MATL SPEC			DRAWN BY PGK 12-26-1996
				FINISH			CHKD BY ML 01-07-1997
				REFERENCE DRW.			WAUSAU, WISCONSIN 54401
7	01-08-1997	REDRAWN ON CADD	CN 24000-27	PGK	PART NAME CONNECTION DIAGRAM		DRWG NO A-EE7322
REV	DATE	CHANGE	NAME	3Ø - SINGLE VOLTAGE - 2 SPEED			

SHOP BOOK

PURCHASED

DISTRIBUTION - WA - LB - WP - LM - BR

CADD FILE NO.

EE7322

Data Sheet

Date: 12/14/2021
 Customer: _____
 Attention: _____
 Submitted by: SHERYL KUEHMICHEL



184TTFCD7290

Submittal

Data @ 460 V

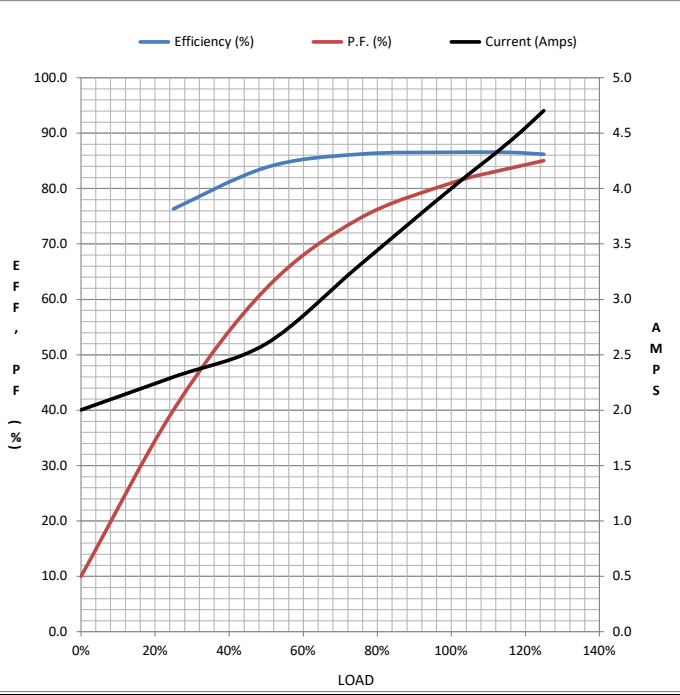
Motor Load Data

Load	0%	25%	50%	75%	100%	115%	125%	LR
Current (Amps)	2.00	2.30	2.60	3.3	4.0	4.4	4.7	34.0
Torque(ft-lb)	0.00	2.20	4.4	6.7	8.9	10.2	11.1	18.7
RPM	1800	1792	1785	1778	1768	1,765	1760	0
Efficiency (%)		76.3	83.8	86.2	86.5	86.5	86.2	
P.F. (%)	10.0	40.0	62.0	74.5	81.0	83.5	85.0	51

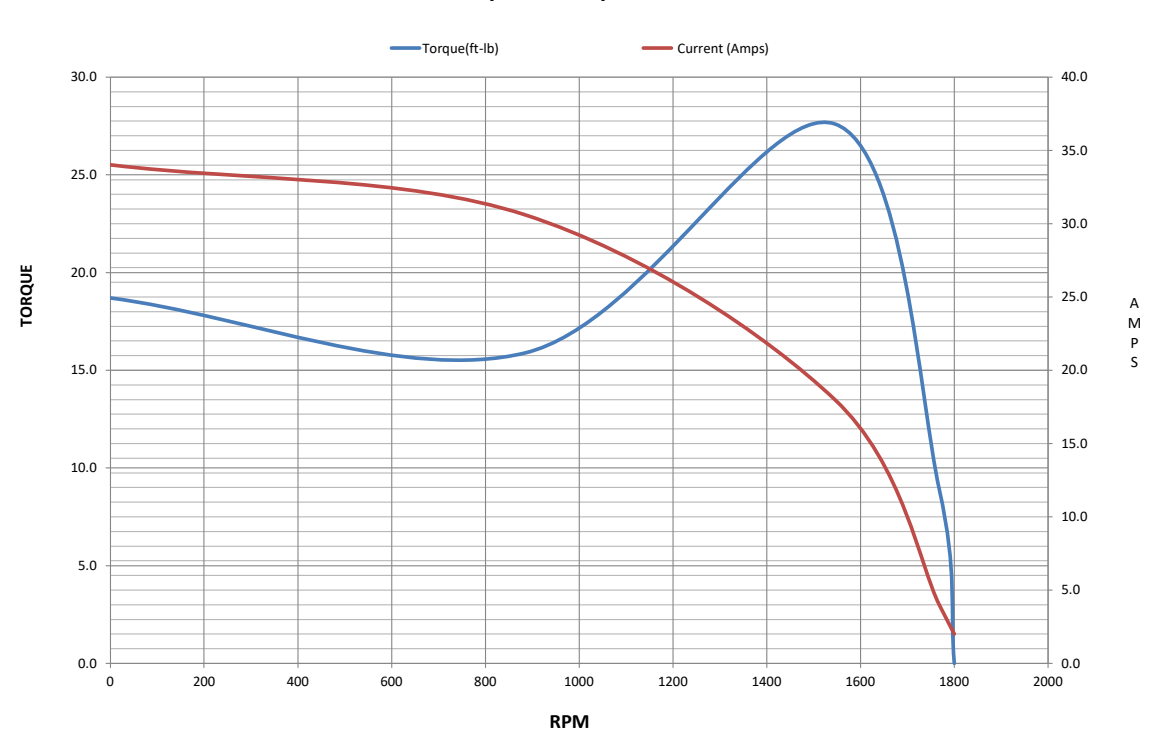
Motor Speed Data

	LR	Pull-Up	BD	Rated	Idle
Speed (RPM)	0	884	1545	1768	1800
Current (Amps)	34.0	30.6	18.0	4.0	2.00
Torque(ft-lb)	18.7	15.9	27.6	8.9	0.00

Information Block				
HP	3.0			
Sync. RPM	1800			
Frame	184T			
Enclosure	TEFC			
Construction	TFC			
Voltage	460 V			
Frequency	60 Hz			
Design	1VT			
LR Code letter	K			
Service Factor	1.15			
Temp Rise @ FL	60 °C			
Duty	CONT			
Ambient	40 °C			
Elevation	3,300 feet			
Rotor/Shaft wk ²	0.00 Lb-Ft ²			
Ref Wdg	HA3112(4-8)07 HS			
Sound Pressure @ 1M	0 dBA			
VFD Rating	NA			
Outline Dwg	SS600210-200			
Conn. Diag	EE7322			
Additional Specifications:				
CATALOG # Y380A				
HIGH SPEED PERFORMANCE				
EQUIV CKT (OHMS / PHASE)				
R1	R2	X1	X2	Xm
2.8457	1.2479	4.7743	5.2659	124.6983



Speed - Torque Curve



Data Sheet

Date: 12/14/2021
 Customer: _____
 Attention: _____
 Submitted by: SHERYL KUEHMICHEL



184TTFCD7290

Submittal

Data @ 460 V

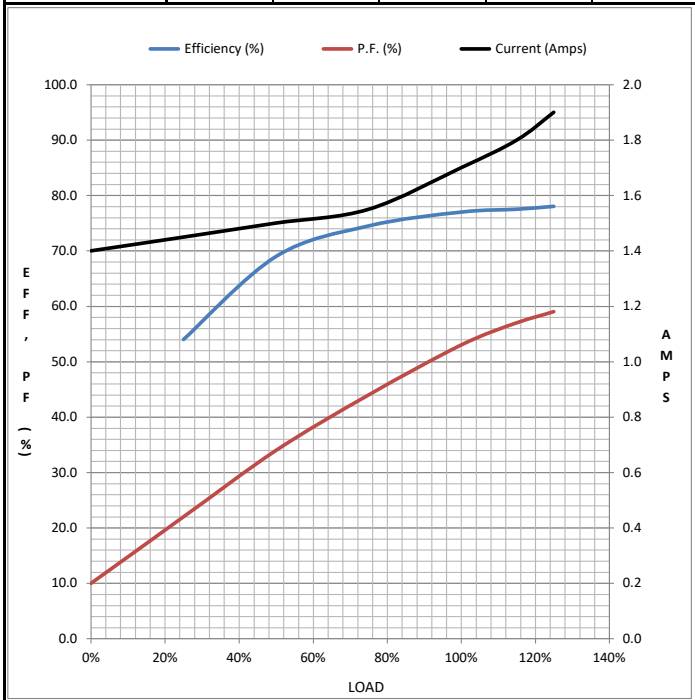
Motor Load Data

Load	0%	25%	50%	75%	100%	115%	125%	LR
Current (Amps)	1.40	1.45	1.50	1.55	1.70	1.80	1.90	6.2
Torque(ft-lb)	0.00	1.10	2.23	3.4	4.5	5.2	5.7	4.7
RPM	900	895	890	882	875	875	872	0
Efficiency (%)		54.0	69.0	74.5	77.0	77.5	78.0	
P.F. (%)	10.0	22.0	34.0	44.0	53.0	57.0	59.0	37

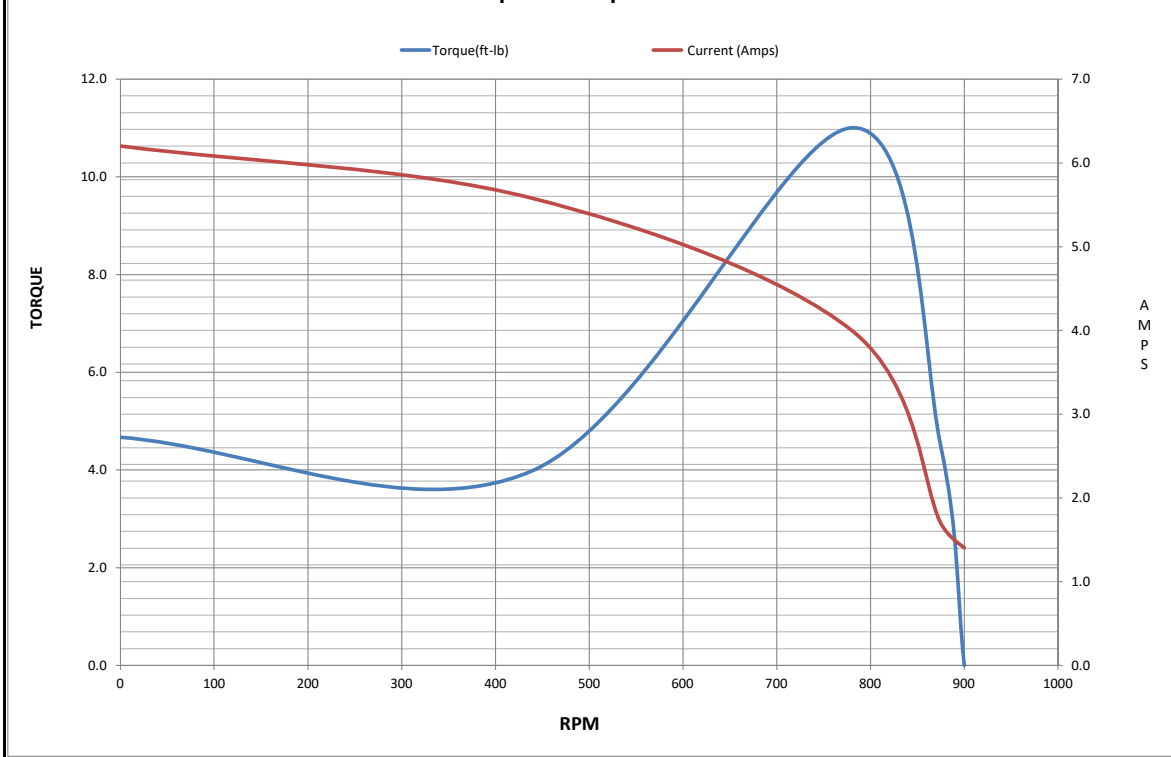
Motor Speed Data

	LR	Pull-Up	BD	Rated	Idle
Speed (RPM)	0	438	780	875	900
Current (Amps)	6.2	5.6	4.0	1.70	1.40
Torque(ft-lb)	4.7	4.0	11.0	4.5	0.00

Information Block				
HP	0.75			
Sync. RPM	900			
Frame	184T			
Enclosure	TEFC			
Construction	TFC			
Voltage	460 V			
Frequency	60 Hz			
Design	1VT			
LR Code letter	H			
Service Factor	1.15			
Temp Rise @ FL	35 °C			
Duty	CONT			
Ambient	40 °C			
Elevation	3,300 feet			
Rotor/Shaft wk ²	0.00 Lb-Ft ²			
Ref Wdg	HA3112(4-8)07 HS			
Sound Pressure @ 1M	0 dBA			
VFD Rating	NA			
Outline Dwg	SS600210-200			
Conn. Diag	EE7322			
Additional Specifications:				
CATALOG # Y380A				
LOW SPEED PERFORMANCE				
EQUIV CKT (OHMS / PHASE)				
R1	R2	X1	X2	Xm
11.9510	5.9377	19.4770	27.2679	166.7840



Speed - Torque Curve



EC Declaration of Conformity

The undersigned representing
the manufacturer:

Regal Beloit America
100 East Randolph St.
Wausau, WI 54401

and the authorized representative
established within the Community:

Marathon Electric UK
6F Thistleton Road Ind. Estate
Market Overton
Oakham, Rutland LE15 7PP UK

are committed to providing customers with products that comply with applicable regulations and international protocols to which they are subject, including the requirements of the European Parliament Directive on the Harmonization of the laws relating to electrical equipment designed for use within certain voltage limits (2014/35/EU).

Regal Beloit America declares that the following product(s), to which this declaration relates, are in conformity with the relevant sections of the EC standards listed below.

This statement supersedes any statements previously issued pertaining to the product(s) listed below and is subject to change without notice.

Model No : 184TTFCD7290

(Model No. may contain prefix and/or suffix characters)

Catalog No : Y380A

Rework No : N/A

Directives :

Low Voltage Directive 2014/35/EU

Harmonized Standards Used :

EN 60034-1: 2010 (IEC 60034-1: 2010)

EN 60034-5: 2001/A1:2007 (IEC 60034-5: 2000/A1:2006)

Authorized Representative:



Michael A. Logsdon
Vice President, Technology

Authorized Representative in the Community:



Julian Clark
Marketing Engineer

Created on 09/01/2022

CE 22