

# PRODUCT INFORMATION PACKET

Model No: 184TTFC6844

Catalog No: E473A

XRI®-SD Severe Duty Motor, 5 HP, 3 Ph, 60 Hz, 230/460 V, 1800 RPM, 184T Frame, TEFC



Regal and Marathon are trademarks of Regal Rexnord Corporation or one of its affiliated companies.

©2024 Regal Rexnord Corporation, All Rights Reserved. MC017097E



**Nameplate Specifications**

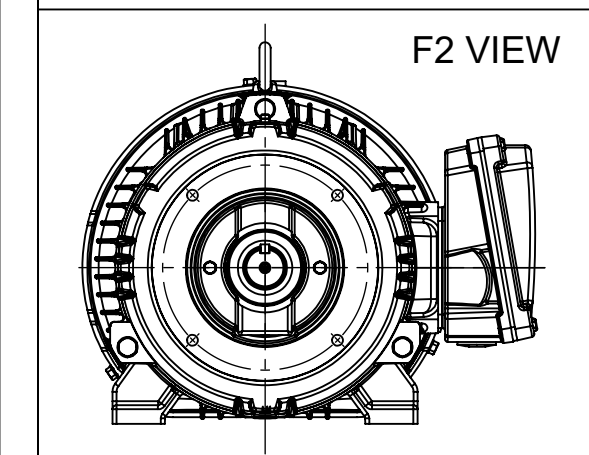
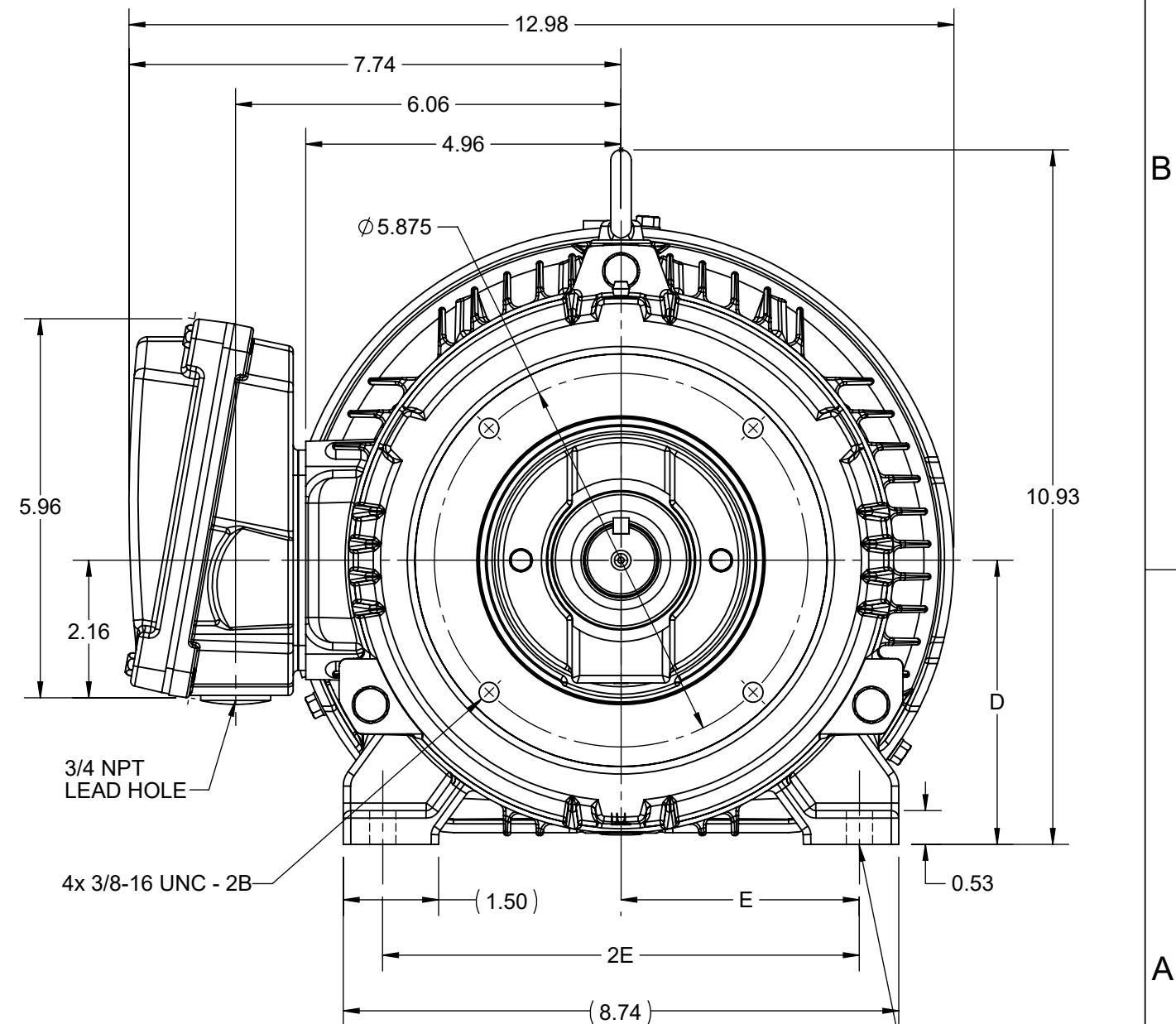
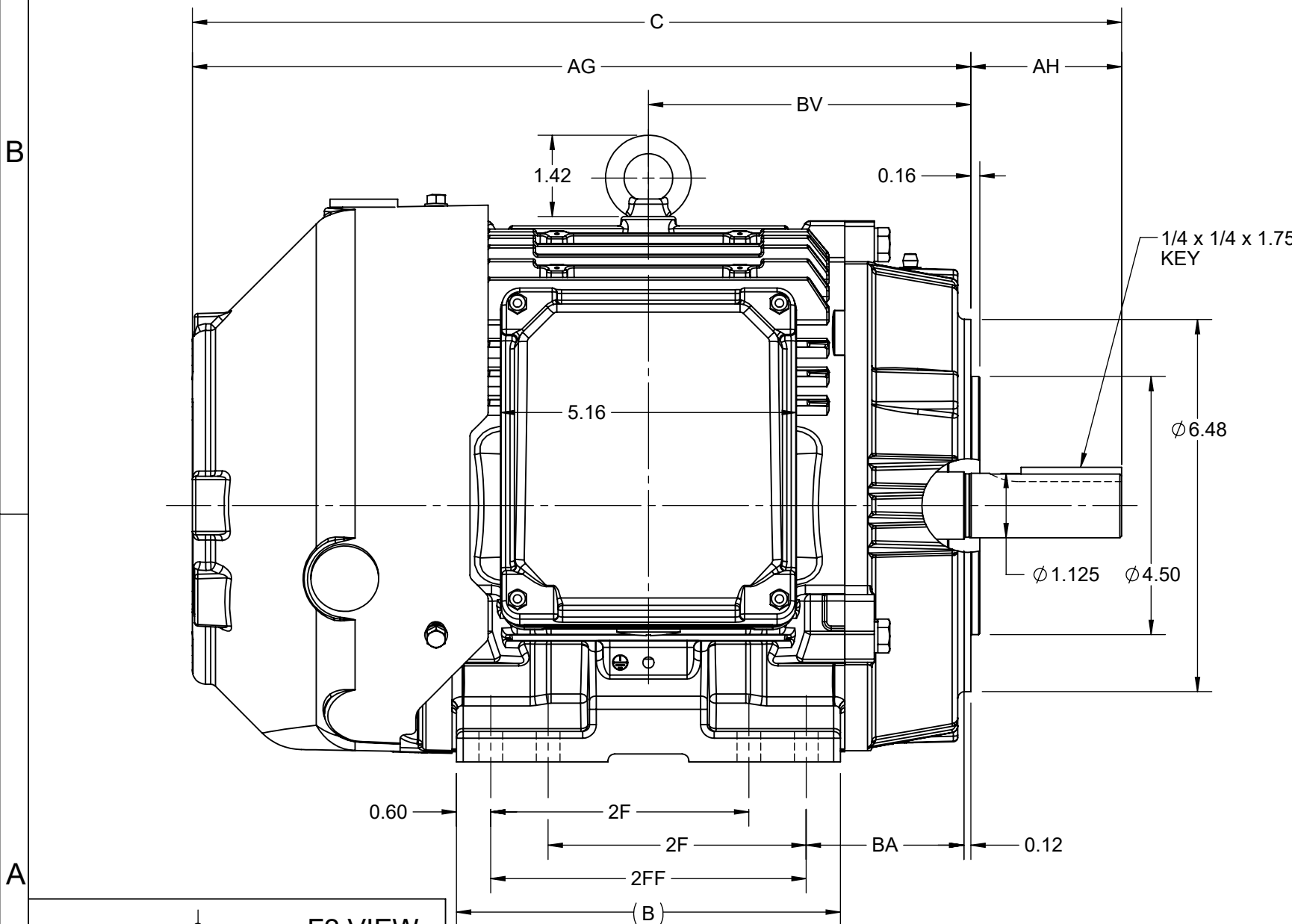
|                        |                      |                            |                                    |
|------------------------|----------------------|----------------------------|------------------------------------|
| Phase                  | <b>3</b>             | Output HP                  | <b>5 Hp</b>                        |
| Output KW              | <b>3.7 kW</b>        | Voltage                    | <b>230/460 V</b>                   |
| Speed                  | <b>1755 rpm</b>      | Service Factor             | <b>1.15</b>                        |
| Frame                  | <b>184T</b>          | Enclosure                  | <b>Totally Enclosed Fan Cooled</b> |
| Thermal Protection     | <b>No Protection</b> | Efficiency                 | <b>89.5 %</b>                      |
| Ambient Temperature    | <b>40 °C</b>         | Frequency                  | <b>60 Hz</b>                       |
| Current                | <b>13.0/6.5 A</b>    | Power Factor               | <b>80</b>                          |
| Duty                   | <b>Continuous</b>    | Insulation Class           | <b>H</b>                           |
| Design Code            | <b>B</b>             | KVA Code                   | <b>J</b>                           |
| Drive End Bearing Size | <b>6206</b>          | Opp Drive End Bearing Size | <b>6205</b>                        |
| UL                     | <b>Listed</b>        | CSA                        | <b>Y</b>                           |
| CE                     | <b>Y</b>             | IP Code                    | <b>55</b>                          |
| Number of Speeds       | <b>1</b>             | Hazardous Location         | <b>DIVISION 2 T2B</b>              |

**Technical Specifications**

|                       |                                     |                    |                                    |
|-----------------------|-------------------------------------|--------------------|------------------------------------|
| Electrical Type       | <b>Squirrel Cage Inverter Rated</b> | Starting Method    | <b>Line Or Inverter</b>            |
| Poles                 | <b>4</b>                            | Rotation           | <b>Reversible</b>                  |
| Resistance Main       | <b>2.69 Ohms</b>                    | Mounting           | <b>Rigid Base</b>                  |
| Motor Orientation     | <b>Horizontal</b>                   | Drive End Bearing  | <b>Ball</b>                        |
| Opp Drive End Bearing | <b>Ball</b>                         | Frame Material     | <b>Cast Iron</b>                   |
| Shaft Type            | <b>T</b>                            | Shaft Diameter     | <b>1.125 in</b>                    |
| Assembly/Box Mounting | <b>F1/F2 CAPABLE</b>                | Inverter Load      | <b>CONSTANT 20:1/VARIABLE 10:1</b> |
| Outline Drawing       | <b>SS600210-200</b>                 | Connection Drawing | <b>EE7308</b>                      |

This is an uncontrolled document once printed or downloaded and is subject to change without notice. Date Created:10/18/2024

| DASH NO. | 4    |       |      |      | 3    |      |      |       | 2    |      |      | 1        |           |
|----------|------|-------|------|------|------|------|------|-------|------|------|------|----------|-----------|
|          | B    | C     | D    | E    | 2E   | 2F   | 2FF  | AG    | AH   | BA   | BV   | MOUNTING | FRAME     |
| 100      | 5.67 | 15.20 | 4.50 | 3.75 | 7.50 | -    | 4.50 | 12.58 | 2.62 | 2.75 | 5.12 | F1 OR F2 | 182TC     |
| 200      | 6.69 | 16.20 |      |      |      | 4.50 | 5.50 | 13.58 |      |      | 5.62 |          | 182/184TC |



|   |                      |                               |
|---|----------------------|-------------------------------|
| DRAWING REVISION<br>B   | REVISION BY<br>SRK   | REV DATE/© DATE<br>04/04/2023 |
| REQUEST NUMBER<br>CR-0014630  | APPROVED BY<br>BISWA | DATE<br>04/04/2023            |
| REQUEST NUMBER DESCRIPTION<br>DRAWING UPDATED.  |                      |                               |
| <small>COPYRIGHT (PER REVISION DATE) REGAL BELOIT AMERICA, INC. ALL RIGHTS RESERVED. PROPRIETARY AND CONFIDENTIAL INFORMATION - THIS DOCUMENT IS THE PROPERTY OF REGAL BELOIT AMERICA, INC. ("OWNER") AND CONTAINS OWNER'S PROPRIETARY INFORMATION. ANY PERSON, CORPORATION OR OTHER FIRM RECEIVING IT IS DEEMED, BY RECEIVING IT, TO AGREE THAT IT, AND/OR ANY PART OF IT, SHALL NOT BE DISCLOSED TO ANY PERSON, CORPORATION OR OTHER ENTITY, DUPLICATED, AND/OR USED, EXCEPT AS EXPRESSLY APPROVED IN WRITING IN ADVANCE BY OWNER. THIS DOCUMENT SHALL BE RETURNED TO OWNER UPON REQUEST. IT MAY BE SUBJECT TO CERTAIN RESTRICTIONS UNDER APPLICABLE EXPORT CONTROL LAWS AND REGULATIONS.</small> |                      |                               |

PRIMARY DIMENSIONS ARE INCH  
mm DIMENSIONS IN [BRACKETS]  
ARE FOR REFERENCE ONLY

|                            |  |
|----------------------------|--|
| DRAWN BY<br>RAM            | <br>Regal Beloit America, Inc.                     |
| DATE<br>22/08/2022         |  |
| APPROVED BY<br>SBD         | DESCRIPTION<br><b>OUTLINE</b>                      |
| DATE<br>22/08/2022         | 182/184TC FR-NEMA-SD & IEEE841 - 4.5 AK C-FACE KIT |
| REFERENCE<br>SS600210      | MATERIAL<br>PROCESS/FINISH                         |
| THIRD ANGLE PROJECTION<br> | SIZE<br>B  |
|                            | DRAWING NUMBER<br><b>SS600210C</b>                 |
|                            | SHEET<br>1 OF 1                                    |

EE7308

THREE PHASE  
DUAL VOLTAGE MOTOR



REF.  
WINDING DIAGRAM

T8Y, T2Y, T2BL, T4BX, T2EC, T2G  
T6BZ, T2B, T6BL, T4AV, T6B, T4B

VIEW OF TERMINAL END

OPTIONAL CORD  
CONNECTION

L1 — WHITE  
L2 — RED  
L3 — BLACK

| NO.  | REVISION                                       | BY & DATE      | CHK | ANG   | TOLERANCES<br>UNLESS SPECIFIED |        | FINISH  | DRAWN RM 11/20/1990 |        |                    |           |        |
|--|--|----------------|-----|-------|--------------------------------|--------|---|---------------------|--------|--------------------|-----------|--------|
|  |  |                |     |       | DEC.                           | INCHES |   |                     |        |                    |           |        |
| 5  | CHG TO REGAL LOGO                              | SL 09/10/2015  | AB  |       |                                |        |   | CHK ML 11/21/1990   |        |                    |           |        |
| 4  | REVISED IEC NOTATIONS                          | MSG 11/15/2011 | CMN | .X    | ±.1                            |        |   | APPD SAS 04/24/2003 |        |                    |           |        |
| 3  | ADDED IEC NOTATIONS... (U1), (V1) ETC. MU95194 | MSG 5/10/2010  | MJS | .XX   | ±.02                           |        |   | SCALE 1=1           |        |                    |           |        |
| 2  | ADDED THE OPTIONAL CORD CONNECTION MU46318     | RDH 04/24/2003 | DRS | .XXX  | ±.005                          |        | TITLE CONNECTION DIAGRAM<br>3Ø - DUAL VOLTAGE MOTOR | REF                 |        |                    |           |        |
| 1  | REDRAWN  | RM 11/20/1990  |     | .XXXX | ±.0005                         |        | MAT'L.  | FMF                 |        |                    |           |        |
|  |  |                |     |       | ±7'30"                         |        |   | PREV                |        |                    |           |        |
| THIS DRAWING IN DESIGN AND DETAIL IS OUR PROPERTY AND MUST NOT BE USED EXCEPT IN CONNECTION WITH OUR WORK ALL RIGHTS OF DESIGN AND INVENTION ARE RESERVED THIS IS AN ELECTRONICALLY GENERATED DOCUMENT - DO NOT SCALE THIS PRINT |  |                |     |       |                                |        | RFP   | CAD FILE ee7308     | SIZE A | DRAWING NO. EE7308 | PAGE OF 5 | REV. 5 |
|  |  |                |     |       |                                |        | DIST WP   |                     |        |                    |           |        |



Regal Beloit America, Inc.



DATA VOLTS: 460

**CERTIFICATION DATA SHEET**

CONN. DIAGRAM: EE7308  
 REFERENCE MODEL #: 184TTFC6844  
 OUTLINE: SS600210-184T  
 CAT #: E473A  
 WINDING: HE31124020 NONE 3  
 MOUNTING: F1/F2 CAPABLE

**TYPICAL MOTOR PERFORMANCE DATA**

| HP | KW  | SYNC RPM | FL RPM | FRAME | ENCLOSURE | TYPE | KVA CODE | DESIGN |
|----|-----|----------|--------|-------|-----------|------|----------|--------|
| 5  | 3.7 | 1800     | 1755   | 184T  | TEFC      | TFC  | J        | B      |

| PH | HZ | VOLTS   | AMPS   | START TYPE       | DUTY | INSL | S.F. | AMB (° C) | ELEV.(Ft) |
|----|----|---------|--------|------------------|------|------|------|-----------|-----------|
| 3  | 60 | 230/460 | 13/6.5 | LINE OR INVERTER | CONT | H    | 1.15 | 40        | 3300      |

| F.L. EFF | 89.5 | 3/4 LD EFF | 89.5 | 1/2 LD EFF | 88.5 | GTD EFF | 88.5 | ELECT. TYPE       |
|----------|------|------------|------|------------|------|---------|------|-------------------|
| F.L. PF  | 80.0 | 3/4 LD PF  | 75.0 | 1/2 LD PF  | 64.0 |         |      | SQ CAGE INV RATED |

| F.L. TORQUE | LR AMPS @ 460 V | L.R. TORQUE     | B.D. TORQUE     | F.L. RISE (° C) |
|-------------|-----------------|-----------------|-----------------|-----------------|
| 15.0 LB-FT  | 49.5            | 33.0 LB-FT 220% | 42.0 LB-FT 280% | 60              |

| SOUND PRESSURE @ | SOUND  | ROTOR WK²   | MAX. LOAD WK² | SAFE STALL TIME | STARTS/HOUR | APROX.  |
|------------------|--------|-------------|---------------|-----------------|-------------|---------|
| 62 dBA           | 71 dBA | 0.40 LB-FT² | 45 LB-FT²     | 15 SEC.         | 2           | 126 LB. |

**\*\*\* SUPPLEMENTAL INFORMATION \*\*\***

| DE BRACKET TYPE | ODE BRACKET TYPE | MOUNT TYPE | MOTOR ORIENTATION | SEVERE DUTY         | HAZARDOUS LOCATION | DRIP COVER | SCREENS | PAINT        |
|-----------------|------------------|------------|-------------------|---------------------|--------------------|------------|---------|--------------|
| STANDARD        | STANDARD         | RIGID      | HORIZONTAL        | PREMIUM SEVERE DUTY | DIVISION 2 T2B     | NO         | NONE    | BLUE (EPOXY) |

| BEARINGS  |           | GREASE     | SHAFT TYPE | SPECIAL DE | SPECIAL ODE | SHAFT MATERIAL           | FRAME MATERIAL |
|-----------|-----------|------------|------------|------------|-------------|--------------------------|----------------|
| DE        | ODE       | POLYREX EM | T          | NONE       | NONE        | 1144 STRESSPROOF (C-223) | CAST IRON      |
| BALL 6206 | BALL 6205 |            |            |            |             |                          |                |

| THERMOSTATS | PROTECTORS | WDG RTD's | BRG RTD's | THERMISTORS | CONTROL | SPACE HEATERS |
|-------------|------------|-----------|-----------|-------------|---------|---------------|
| NONE        | NOT        | NONE      | NONE      | NONE        | FALSE   | NA            |

| R1 (ohms/ph) | R2 (ohms/ph) | X1 (ohms/ph) | X2 (ohms/ph) | Xm (ohms/ph) | VIBRATION (in/sec) | FLOAT |
|--------------|--------------|--------------|--------------|--------------|--------------------|-------|
| 1.531        | 0.964        | 3.686        | 3.969        | 88.849       | 0.080              | ODE   |

|                                 |  |  |
|---------------------------------|--|--|
| *<br>N<br>O<br>T<br>E<br>S<br>* | If Inverter equals NONE, contact factory for further information |  |
|                                 | INVERTER TORQUE: CONSTANT 20:1/VARIABLE 10:1                     |  |
|                                 | INV. HP SPEED RANGE: NONE  |  |
|                                 | ENCODER: NONE  |  |
|                                 | NONE<br>NONE<br>NONE PPR   |  |

|                       |                   |
|-----------------------|-------------------|
| PREPARED BY: ANUSHA M | BRAKE: NONE       |
| DATE: 3/18/2020       | NONE NONE         |
|                       | FT-LB: NA         |
|                       | VOLTAGE: NONE HZ: |

FORM: 3531 REV\_4 2/27/06  
 \*\* Subject to change without notice.

Data Sheet

Date: 3/10/2020  
 Customer: \_\_\_\_\_  
 Attention: \_\_\_\_\_  
 Submitted by: ANUSHA M

184TTFCD6844



Submittal

Data @ 460 V

Motor Load Data

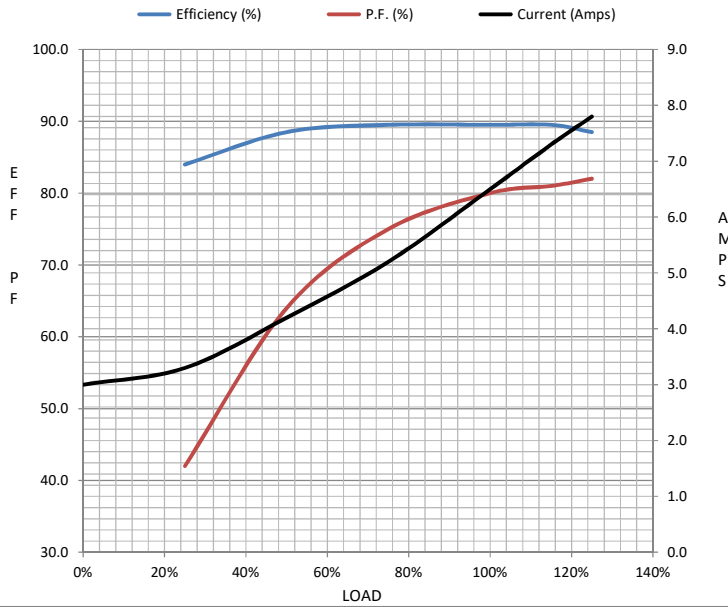
| Load           | 0%   | 25%  | 50%  | 75%  | 100% | 115%  | 125% | LR   |
|----------------|------|------|------|------|------|-------|------|------|
| Current (Amps) | 3.0  | 3.3  | 4.2  | 5.2  | 6.5  | 7.3   | 7.8  | 49.5 |
| Torque (ft-lb) | 0.00 | 3.7  | 7.5  | 11.1 | 15.0 | 17.2  | 18.8 | 33.0 |
| RPM            | 1800 | 1790 | 1780 | 1768 | 1755 | 1,750 | 1745 | 0    |
| Efficiency (%) |      | 84.0 | 88.5 | 89.5 | 89.5 | 89.5  | 88.5 |      |
| P.F. (%)       | 7.0  | 42.0 | 64.0 | 75.0 | 80.0 | 81.0  | 82.0 | 48.0 |

Motor Speed Data

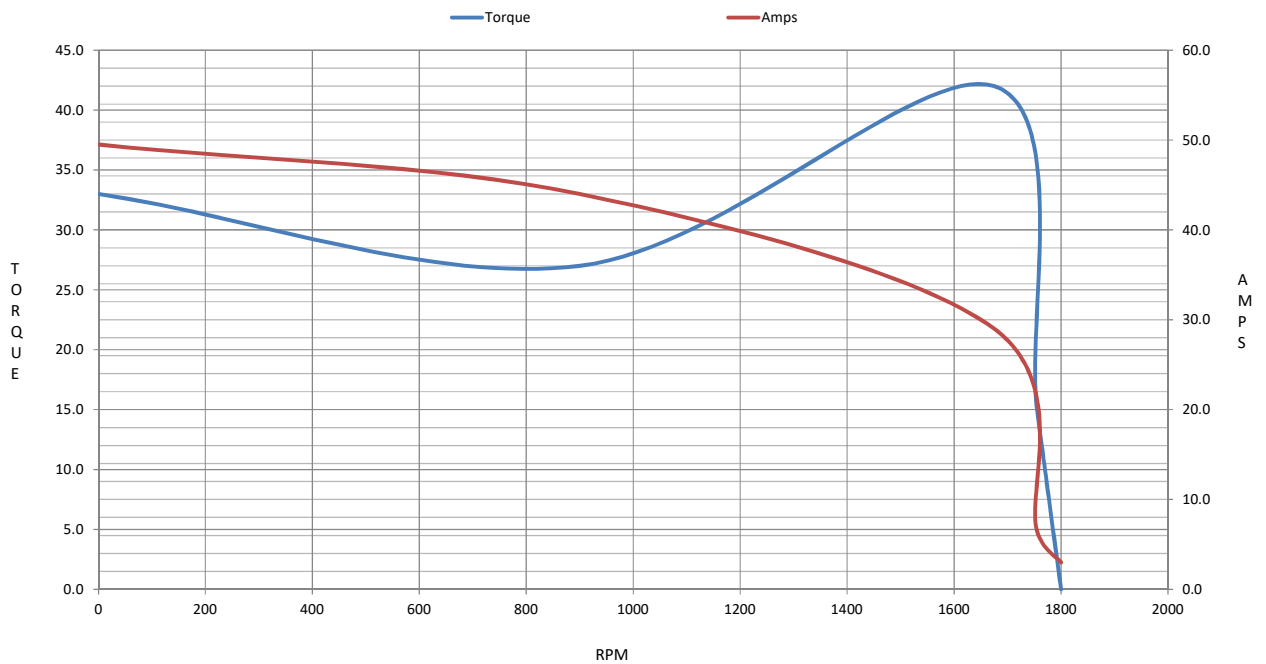
|                | LR   | Pull-Up | BD   | Rated | Idle |
|----------------|------|---------|------|-------|------|
| Speed (RPM)    | 0    | 900     | 1675 | 1755  | 1800 |
| Current (Amps) | 49.5 | 44.0    | 29.0 | 6.5   | 3.0  |
| Torque (ft-lb) | 33.0 | 27.0    | 42.0 | 15.0  | 0.00 |

Information Block

|                             |                             |        |        |         |
|-----------------------------|-----------------------------|--------|--------|---------|
| HP                          | 5.0                         |        |        |         |
| Sync. RPM                   | 1800                        |        |        |         |
| Frame                       | 184                         |        |        |         |
| Enclosure                   | TEFC                        |        |        |         |
| Construction                | TFC                         |        |        |         |
| Voltage                     | 230/460 V                   |        |        |         |
| Frequency                   | 60 Hz                       |        |        |         |
| Design                      | B                           |        |        |         |
| LR Code letter              | J                           |        |        |         |
| Service Factor              | 1.15                        |        |        |         |
| Temp Rise @ FL              | 60 ° C                      |        |        |         |
| Duty                        | CONT                        |        |        |         |
| Ambient                     | 50 ° C                      |        |        |         |
| Elevation                   | 1,000 feet                  |        |        |         |
| Rotor/Shaft wk <sup>2</sup> | 0.00 Lb-Ft <sup>2</sup>     |        |        |         |
| Ref Wdg                     | HE31124020 NONE             |        |        |         |
| Sound Pressure @ 1M         | 62 dBA                      |        |        |         |
| VFD Rating                  | CONSTANT 20:1/VARIABLE 10:1 |        |        |         |
| Outline Dwg                 | SS600210-184T               |        |        |         |
| Conn. Diag                  | EE7308                      |        |        |         |
| Additional Specifications:  |                             |        |        |         |
| 0                           |                             |        |        |         |
| 0                           |                             |        |        |         |
| EQUIV CKT (OHMS / PHASE)    |                             |        |        |         |
| R1                          | R2                          | X1     | X2     | Xm      |
| 1.5310                      | 0.9640                      | 3.6860 | 3.9690 | 88.8490 |



Speed - Torque Curve



## EC Declaration of Conformity

The undersigned representing  
the manufacturer:

Regal Beloit America  
100 East Randolph St.  
Wausau, WI 54401

and the authorized representative  
established within the Community:

Marathon Electric UK  
6F Thistleton Road Ind. Estate  
Market Overton  
Oakham, Rutland LE15 7PP UK

are committed to providing customers with products that comply with applicable regulations and international protocols to which they are subject, including the requirements of the European Parliament Directive on the Harmonization of the laws relating to electrical equipment designed for use within certain voltage limits (2014/35/EU).

Regal Beloit America declares that the following product(s), to which this declaration relates, are in conformity with the relevant sections of the EC standards listed below.

This statement supersedes any statements previously issued pertaining to the product(s) listed below and is subject to change without notice.

Model No : 184TTFCD6844

(Model No. may contain prefix and/or suffix characters)

Catalog No : E473A

Rework No : N/A

Directives :

Low Voltage Directive 2014/35/EU

Harmonized Standards Used :

EN 60034-1: 2010 (IEC 60034-1: 2010)

EN 60034-5: 2001/A1:2007 (IEC 60034-5: 2000/A1:2006)

Authorized Representative:



Michael A. Logsdon  
Vice President, Technology

Authorized Representative in the Community:



Julian Clark  
Marketing Engineer

Created on 09/01/2022

**CE 22**