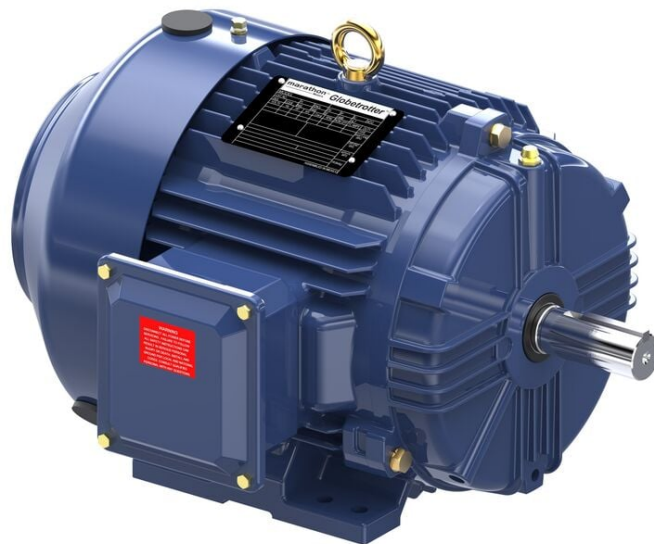


# PRODUCT INFORMATION PACKET

Model No: 184TTFC6080

Catalog No: GT1108A

Globetrotter® General Purpose Motor, 2 HP, 3 Ph, 60 Hz, 575 V, 1200 RPM, 184T Frame, TEFC



Regal and Marathon are trademarks of Regal Rexnord Corporation or one of its affiliated companies.  
©2024 Regal Rexnord Corporation, All Rights Reserved. MC017097E

### Nameplate Specifications

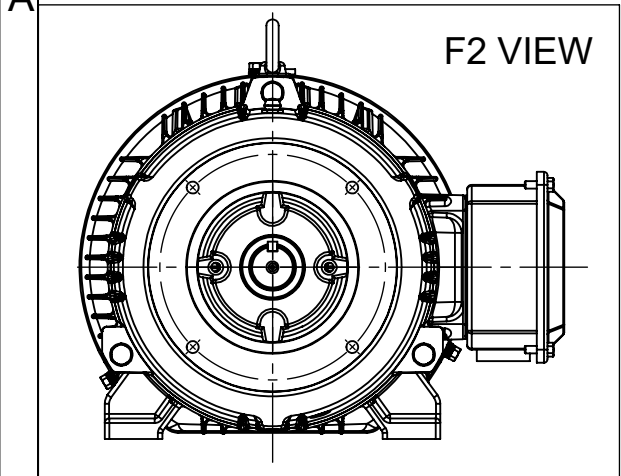
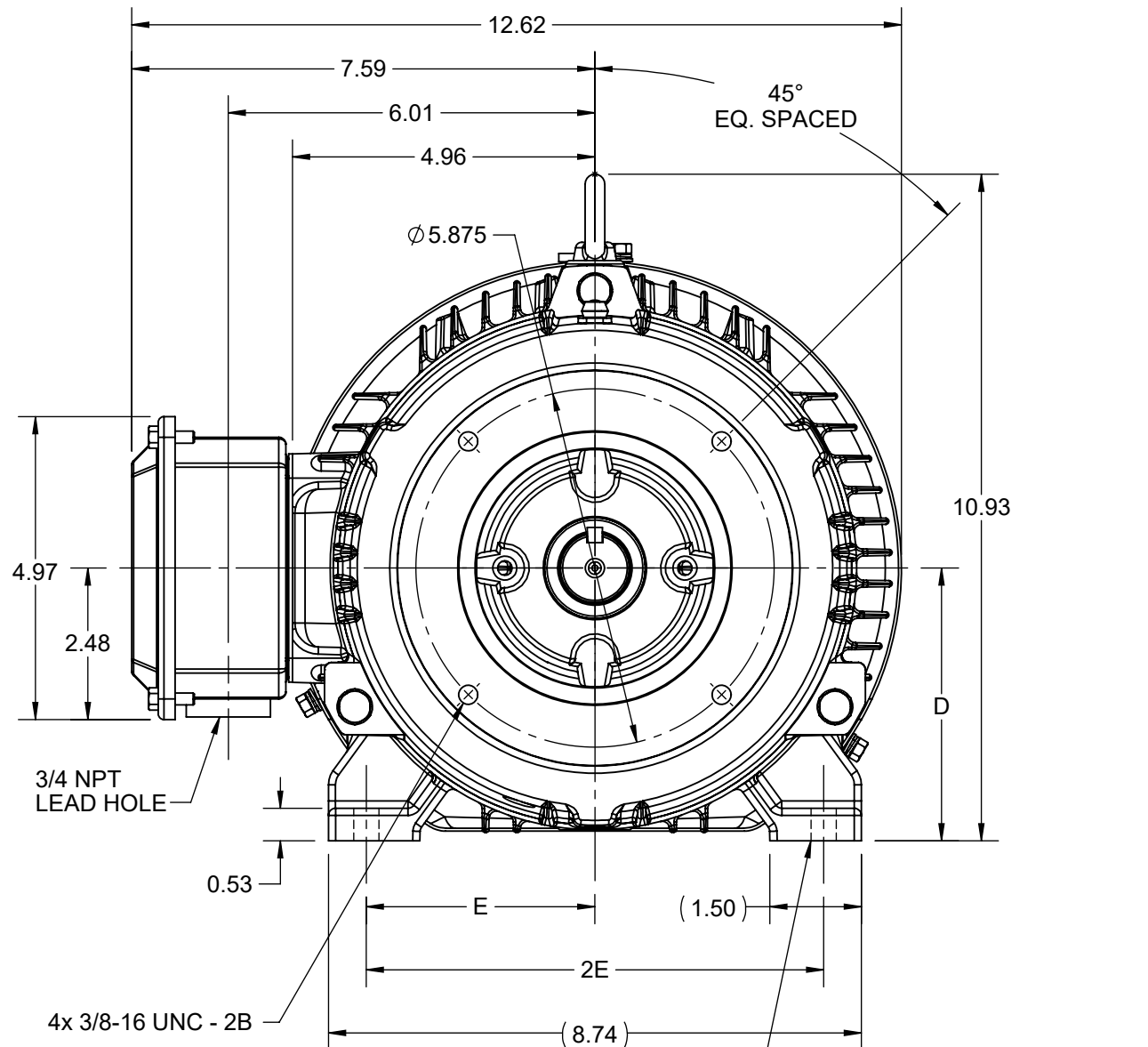
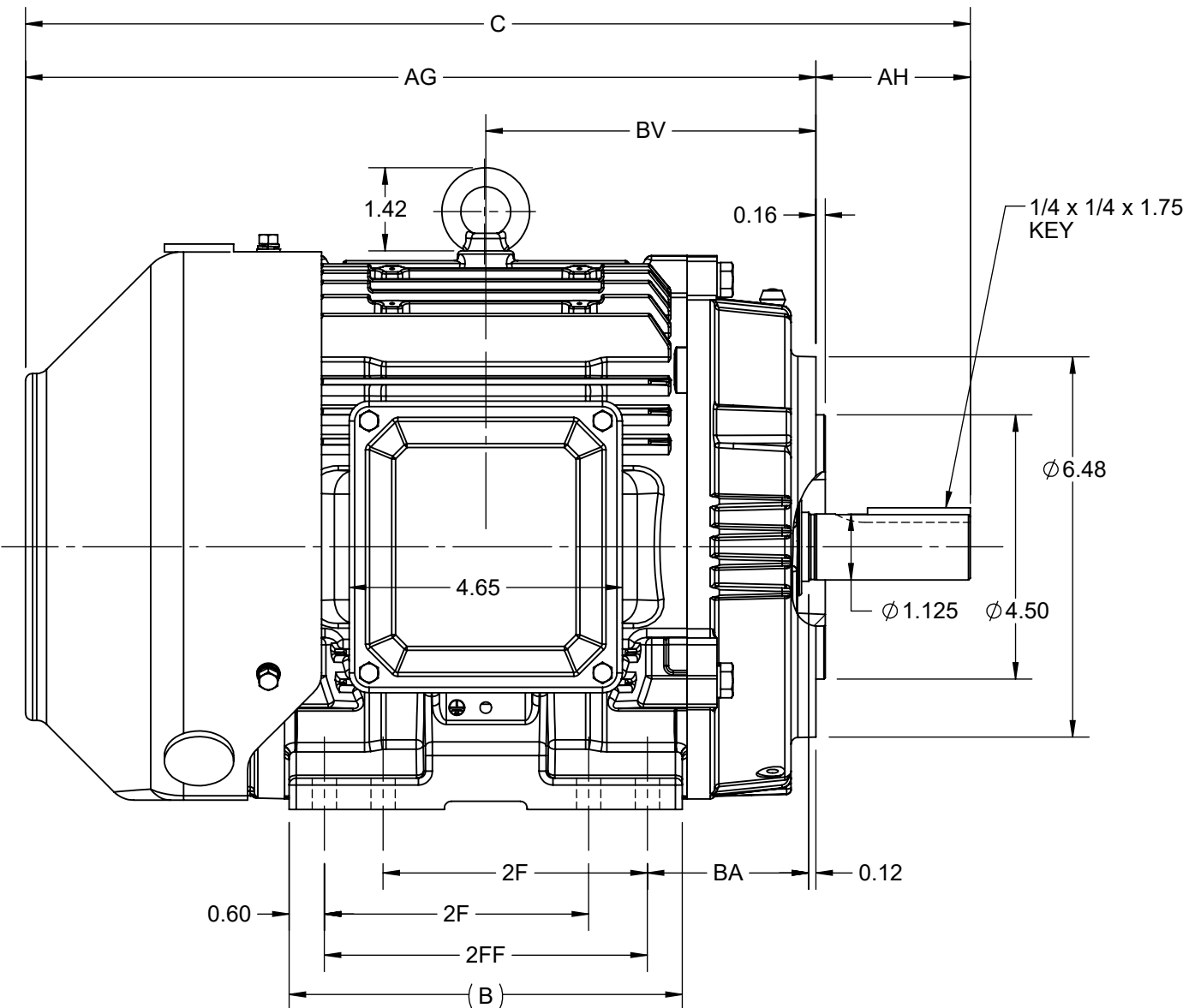
Phase	<b>3</b>	Output HP	<b>2 Hp</b>
Output KW	<b>1.5 kW</b>	Voltage	<b>575 V</b>
Speed	<b>1178 rpm</b>	Service Factor	<b>1.15</b>
Frame	<b>184T</b>	Enclosure	<b>Totally Enclosed Fan Cooled</b>
Thermal Protection	<b>No Protection</b>	Efficiency	<b>88.5 %</b>
Ambient Temperature	<b>40 °C</b>	Frequency	<b>60 Hz</b>
Current	<b>2.5 A</b>	Power Factor	<b>70</b>
Duty	<b>Continuous</b>	Insulation Class	<b>F</b>
Design Code	<b>A</b>	KVA Code	<b>M</b>
Drive End Bearing Size	<b>6206</b>	Opp Drive End Bearing Size	<b>6205</b>
UL	<b>Listed</b>	CSA	<b>Y</b>
CE	<b>Y</b>	IP Code	<b>55</b>
Number of Speeds	<b>1</b>	Hazardous Location	<b>DIVISION 2 T2B</b>

### Technical Specifications

Electrical Type	<b>Squirrel Cage Inverter Rated</b>	Starting Method	<b>Line Or Inverter</b>
Poles	<b>6</b>	Rotation	<b>Reversible</b>
Resistance Main	<b>4.89 Ohms</b>	Mounting	<b>Rigid Base</b>
Motor Orientation	<b>Horizontal</b>	Drive End Bearing	<b>Ball</b>
Opp Drive End Bearing	<b>Ball</b>	Frame Material	<b>Cast Iron</b>
Shaft Type	<b>T</b>	Overall Length	<b>16.08 in</b>
Frame Length	<b>6.85 in</b>	Shaft Diameter	<b>1.125 in</b>
Shaft Extension	<b>2.75 in</b>	Assembly/Box Mounting	<b>F1/F2 CAPABLE</b>
Inverter Load	<b>CONSTANT 10:1/VARIABLE 10:1</b>		
Outline Drawing	<b>SS620855-200</b>	Connection Drawing	<b>EE7300</b>

This is an uncontrolled document once printed or downloaded and is subject to change without notice. Date Created:10/18/2024

4				3				2				1	
DASH NO.	B	C	D	E	2E	2F	2FF	AG	AH	BA	BV	MOUNTING	FRAME
100	5.67	15.08	4.50	3.75	7.50	-	4.50	12.46	2.62	2.75	5.12	F1 OR F2	182TC
200	6.69	16.08				4.50	5.50	13.46			5.62		182/184TC



DRAWING REVISION A	REVISION BY RAM	REV DATE/© DATE 22/08/2022
REQUEST NUMBER CR-0010970	APPROVED BY SBD	DATE 22/08/2022
REQUEST NUMBER DESCRIPTION NEW DRAWING RELEASE		
<small>COPYRIGHT (PER REVISION DATE) REGAL BELOIT AMERICA, INC. ALL RIGHTS RESERVED. PROPRIETARY AND CONFIDENTIAL INFORMATION - THIS DOCUMENT IS THE PROPERTY OF REGAL BELOIT AMERICA, INC. ("OWNER") AND CONTAINS OWNER'S PROPRIETARY INFORMATION. ANY PERSON, CORPORATION OR OTHER FIRM RECEIVING IT IS DEEMED, BY RECEIVING IT, TO AGREE THAT IT, AND/OR ANY PART OF IT, SHALL NOT BE DISCLOSED TO ANY PERSON, CORPORATION OR OTHER ENTITY, DUPLICATED, AND/OR USED, EXCEPT AS EXPRESSLY APPROVED IN WRITING IN ADVANCE BY OWNER. THIS DOCUMENT SHALL BE RETURNED TO OWNER UPON REQUEST. IT MAY BE SUBJECT TO CERTAIN RESTRICTIONS UNDER APPLICABLE EXPORT CONTROL LAWS AND REGULATIONS.</small>		

PRIMARY DIMENSIONS ARE INCH  
mm DIMENSIONS IN [BRACKETS]  
ARE FOR REFERENCE ONLY

DRAWN BY RAM	 Regal Beloit America, Inc.
DATE 22/08/2022	
APPROVED BY SBD	DESCRIPTION
DATE 22/08/2022	182/184TC FR NEMA TEFC CAST IRON - 4.5 AK C-FACE KIT
REFERENCE SS620855	MATERIAL
THIRD ANGLE PROJECTION	PROCESS/FINISH
SIZE B	DRAWING NUMBER SS620855C
	SHEET 1 OF 1

THREE PHASE - SINGLE VOLTAGE  
MOTOR - CONDUIT BOX @ 'A'

TERMINAL BLOCK WHEN SPECIFIED

TO REVERSE ROTATION:  
INTERCHANGE ANY TWO LINE  
LEAD CONNECTIONS



VIEW OF TERMINAL END

**OPTIONAL CORD CONNECTION**

L1	WHITE
L2	RED
L3	BLACK

DRAWING REVISION AC	REVISION BY BS	REV DATE/© DATE 26/07/2022
REQUEST NUMBER CR-0010402	APPROVED BY SN	DATE 26/07/2022
REQUEST NUMBER DESCRIPTION DRAWING UPDATED		
<small>COPYRIGHT (PER REVISION DATE) REGAL BELOIT AMERICA, INC. ALL RIGHTS RESERVED. PROPRIETARY AND CONFIDENTIAL INFORMATION - THIS DOCUMENT IS THE PROPERTY OF REGAL BELOIT AMERICA, INC. ("OWNER") AND CONTAINS OWNER'S PROPRIETARY INFORMATION. ANY PERSON, CORPORATION OR OTHER FIRM RECEIVING IT IS DEEMED, BY RECEIVING IT, TO AGREE THAT IT, AND/OR ANY PART OF IT, SHALL NOT BE DISCLOSED TO ANY PERSON, CORPORATION OR OTHER ENTITY, DUPLICATED, AND/OR USED, EXCEPT AS EXPRESSLY APPROVED IN WRITING IN ADVANCE BY OWNER. THIS DOCUMENT SHALL BE RETURNED TO OWNER UPON REQUEST. IT MAY BE SUBJECT TO CERTAIN RESTRICTIONS UNDER APPLICABLE EXPORT CONTROL LAWS AND REGULATIONS.</small>		

PRIMARY DIMENSIONS ARE INCH  
mm DIMENSIONS IN [BRACKETS]  
ARE FOR REFERENCE ONLY

DRAWN BY DA
DATE 03-26-1993
APPROVED BY TB
DATE 03-26-1993
REFERENCE
THIRD ANGLE PROJECTION

		Regal Beloit America, Inc.	
DESCRIPTION <b>CONNECTION DIAGRAM</b> EXTERNAL - SINGLE VOLTAGE - 3Ø MOTOR			
MATERIAL		PROCESS/FINISH	
SIZE <b>A</b>	DRAWING NUMBER <b>EE7300</b>		SHEET 1 OF 1



**P.O. BOX 8003  
WAUSAU, WI 54401-8003  
PH. 715-675-3311**

**CERTIFICATION DATA SHEET**

**CUSTOMER:**

**CUSTOMER**

**ORDER #:**

**PO#:**

**CONN. DIAGRAM:** EE7300

**MODEL #:** 184TTFCD6080 AA

**CUSTOMER PART**

**OUTLINE:** SS620855-184T

**#:**

**WINDING #:** HE31126009 2

**MOUNTING:** F1/F2 CAPABLE

**TYPICAL MOTOR PERFORMANCE DATA**

HP	kW	SYNC. RPM	F.L. RPM	FRAME	ENCLOSURE	KVA CODE	DESIGN
2	1.49	1200	1173	184T	TEFC	K	B

PH	Hz	VOLTS	AMPS	START TYPE	DUTY	INSL	S.F.	AMB°C
3	60	575	2.4	LINE OR INVERTER	CONTINUOUS	F7	1.15	40

FULL LOAD EFF:	88.5	3/4 LOAD EFF:	87.5	1/2 LOAD EFF:	85.5	GTD. EFF		ELEC. TYPE	
FULL LOAD PF:	70	3/4 LOAD PF:	63	1/2 LOAD PF:	51	87.5	SQ CAGE INV RATED		

F.L. TORQUE	LOCKED ROTOR AMPS	L.R. TORQUE	B.D. TORQUE	F.L. RISE°C
9 LB-FT	18.8	23.5 LB-FT 260 %	31 LB-FT 350 %	60

SOUND PRESSURE @ 3 FT.	SOUND POWER	ROTOR WK^2	MAX. WK^2	SAFE STALL TIME	STARTS / HOUR	APPROX. MOTOR WGT
50 dBA	60 dBA	- LB-FT^2	- LB-FT^2	15 SEC.	2	192 LBS.

**\*\*\* SUPPLEMENTAL INFORMATION \*\*\***

DE BRACKET TYPE	ODE BRACKET TYPE	MOUNT TYPE	ORIENTATION	SEVERE DUTY	HAZARDOUS LOCATION	DRIP COVER	SCREENS	PAINT
STANDARD	STANDARD	RIGID	HORIZONTAL	FALSE	DIVISION 2 T2B	FALSE	NONE	BLUE (EPOXY)

BEARINGS		GREASE	SHAFT TYPE	SPECIAL DE	SPECIAL ODE	SHAFT MATERIAL	FRAME MATERIAL
DE	ODE						
BALL	BALL	POLYREX EM	T	NONE	NONE	1045 HOT ROLLED (C-204)	CAST IRON
6206	6205						

THERMO-PROTECTORS				THERMISTORS	CONTROL	SPACE HEATERS
THERMOSTATS	PROTECTORS	WDG RTDs	BRG RTDs			
NONE	NOT	NONE	NONE	NONE	FALSE	NONE VOLTS

\*  
N  
O  
T  
E  
S  
\*

<b>INVERTER</b> <b>TORQUE:</b> CONSTANT 20:1/VARIABLE 20:1
<b>INV. HP SPEED RANGE:</b> NONE
<b>ENCODER:</b> NONE NONE NONE NONE NONE PPR
<b>BRAKE:</b> NONE NONE NONE P/N NONE NONE NONE NONE FT-LB NONE V NONE Hz

**PREPARED BY:** Anusha Muthyala  
**DATE:** 09/24/2019 01:46:44 AM  
FORM 3531 REV.3 02/07/99  
\*\* Subject to change without notice.

**MARATHON ELECTRIC CORPORATION**

TYPICAL PERFORMANCE CURVE for AC MOTOR

Customer

Curve at

575

Volts

HP 2.00

PHASE 3

Model No 184TTFC6080

60

HZ

VOLTS 575

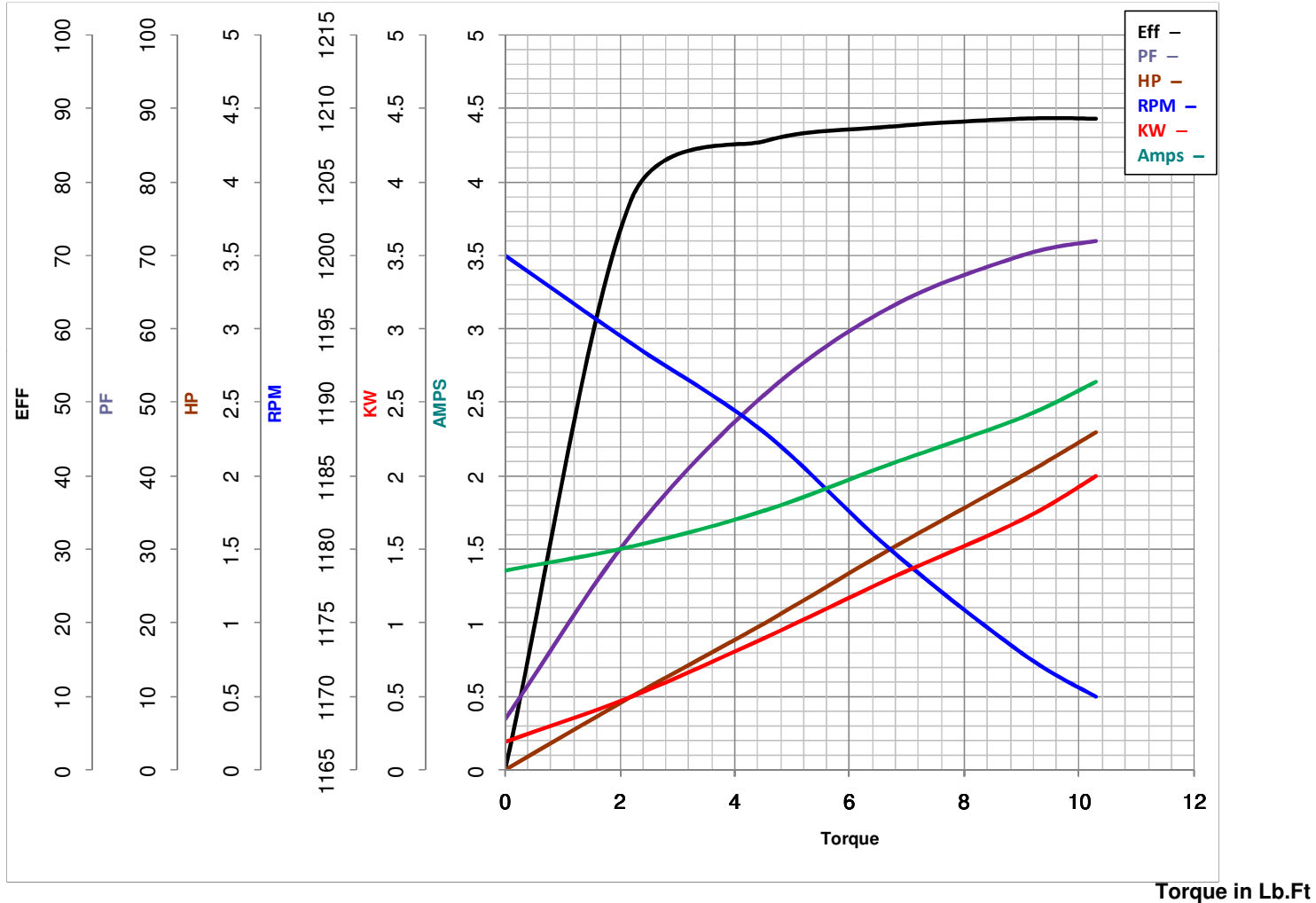
2

HP

Catalog No GT1108A

HZ 60

RPM 1173



Torque in Lb.Ft

FL TORQUE 9 Lb.Ft  
 BD TORQUE 31.0 Lb.Ft  
 LR TORQUE 23.5 Lb.Ft

FL AMPS 2.4  
 PU TORQUE 18.0 Lb.Ft  
 LR AMPS 18.8

WINDING HE31126009-2

Prepared By ANUSHA M

Date 5/4/2018

## EC Declaration of Conformity

The undersigned representing  
the manufacturer:

Regal Beloit America  
100 East Randolph St.  
Wausau, WI 54401

and the authorized representative  
established within the Community:

Marathon Electric UK  
6F Thistleton Road Ind. Estate  
Market Overton  
Oakham, Rutland LE15 7PP UK

are committed to providing customers with products that comply with applicable regulations and international protocols to which they are subject, including the requirements of the European Parliament Directive on the Harmonization of the laws relating to electrical equipment designed for use within certain voltage limits (2014/35/EU).

Regal Beloit America declares that the following product(s), to which this declaration relates, are in conformity with the relevant sections of the EC standards listed below.

This statement supersedes any statements previously issued pertaining to the product(s) listed below and is subject to change without notice.

Model No : 184TTFC6080

(Model No. may contain prefix and/or suffix characters)

Catalog No : GT1108A

Rework No : N/A

Directives :

Low Voltage Directive 2014/35/EU

Harmonized Standards Used :

EN 60034-1: 2010 (IEC 60034-1: 2010)

EN 60034-5: 2001/A1:2007 (IEC 60034-5: 2000/A1:2006)

Authorized Representative:



Michael A. Logsdon  
Vice President, Technology

Authorized Representative in the Community:



Julian Clark  
Marketing Engineer

Created on 09/01/2022

**CE 22**