

PRODUCT INFORMATION PACKET

marathon®
Motors

Model No: 184TTFBD6031

Catalog No: GT3113A

Globetrotter® Close-Coupled Pump Motor, 5 & 3 HP, 3 Ph, 60 & 50 Hz, 230/460 & 190/380 V,
1800 & 1500 RPM, 184JM Frame, TEFC



Regal and Marathon are trademarks of Regal Rexnord Corporation or one of its affiliated companies.
©2024 Regal Rexnord Corporation, All Rights Reserved. MC017097E

RegalRexnord

Nameplate Specifications

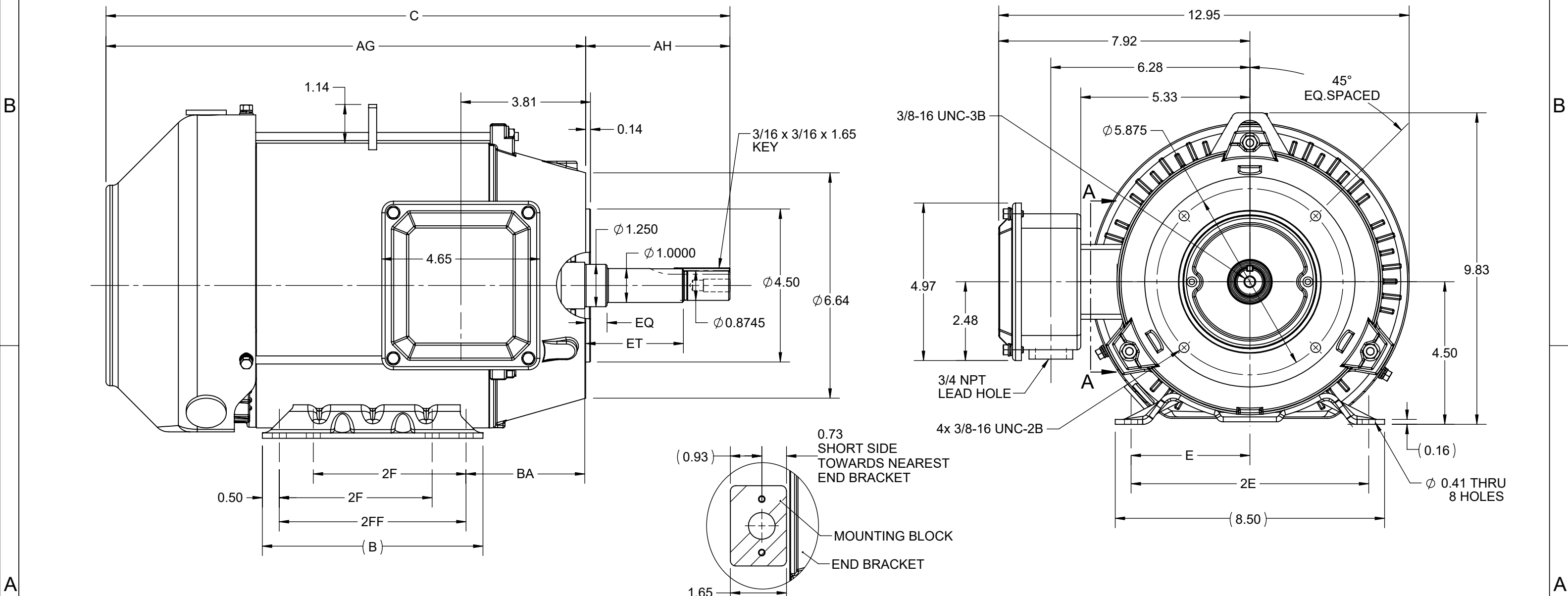
| | | | |
|------------------------|----------------------------------|----------------------------|------------------------------------|
| Phase | 3 | Output HP | 5 & 3 Hp |
| Output KW | 3.7 & 2.2 kW | Voltage | 230/460 & 190/380 V |
| Speed | 1765 & 1462 rpm | Service Factor | 1.15 & 1.15 |
| Frame | 184JM | Enclosure | Totally Enclosed Fan Cooled |
| Thermal Protection | No Protection | Efficiency | 89.5 & 86.5 % |
| Ambient Temperature | 40 °C | Frequency | 60 & 50 Hz |
| Current | 13.2/6.6 & 10.2/5.1 A | Power Factor | 80 |
| Duty | Continuous | Insulation Class | F |
| Design Code | A | KVA Code | K |
| Drive End Bearing Size | 6307 | Opp Drive End Bearing Size | 6205 |
| UL | Listed | CSA | Y |
| CE | Y | IP Code | 43 |
| Number of Speeds | 1 | Hazardous Location | DIVISION 2 T2B |

Technical Specifications

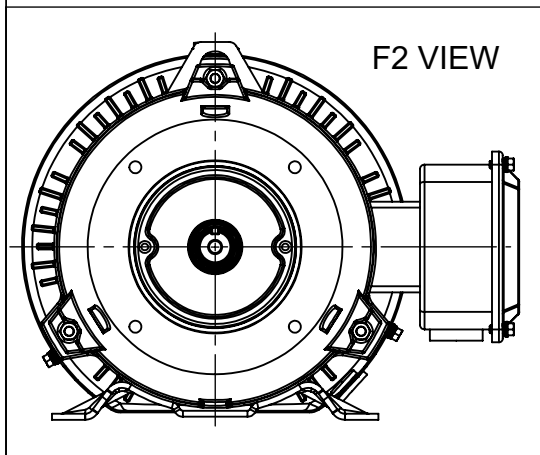
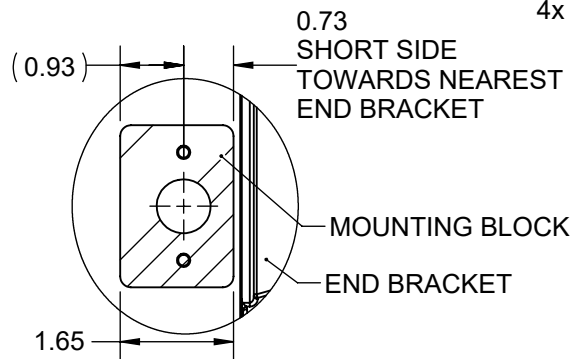
| | | | |
|-----------------------|-------------------------------------|--------------------|------------------------------------|
| Electrical Type | Squirrel Cage Inverter Rated | Starting Method | Line Or Inverter |
| Poles | 4 | Rotation | Reversible |
| Resistance Main | 2.75 Ohms | Mounting | Rigid Base |
| Motor Orientation | Horizontal | Drive End Bearing | Ball |
| Opp Drive End Bearing | Ball | Frame Material | Rolled Steel |
| Shaft Type | JM | Shaft Diameter | 1.250 in |
| Assembly/Box Mounting | F1/F2 CAPABLE | Inverter Load | CONSTANT 10:1/VARIABLE 10:1 |
| Outline Drawing | SS600202-200 | Connection Drawing | EE7308 |

This is an uncontrolled document once printed or downloaded and is subject to change without notice. Date Created:10/18/2024

| DASH NO. | 4 | | | 3 | | | | 2 | | | | 1 | |
|----------|------|-------|------|------|------|------|-------|------|------|------|------|----------|-------|
| | B | C | E | 2E | 2F | 2FF | AG | AH | BA | EQ | ET | MOUNTING | FRAME |
| 100 | 6.50 | 17.37 | 3.75 | 7.50 | 4.50 | 5.50 | 13.12 | 4.25 | 3.50 | 0.62 | 2.87 | F1 OR F2 | 182JM |
| 200 | | 18.37 | | | | | 14.12 | | | | | | 184JM |



**SECTION A-A
MOUNTING BLOCK
ORIENTATION**



| | | | | |
|---|----------------------|-------------------------------|------------------------|--|
| DRAWING REVISION D | REVISION BY BISWA | REV DATE/© DATE 17/03/2021 | DRAWN BY PRIYA | REGAL ® Regal Beloit America, Inc. |
| ECO CR-0001658 | APPROVED BY GNK | DATE 17/03/2021 | DATE 08/03/2018 | |
| ECO DESCRIPTION Unsymmetrical bracket mtg. positional view added COPYRIGHT (PER REVISION DATE) REGAL BELOIT AMERICA, INC. ALL RIGHTS RESERVED. PROPRIETARY AND CONFIDENTIAL INFORMATION - THIS DOCUMENT IS THE PROPERTY OF REGAL BELOIT AMERICA, INC. ("OWNER") AND CONTAINS OWNER'S PROPRIETARY INFORMATION. ANY PERSON, CORPORATION OR OTHER FIRM RECEIVING IT IS DEEMED, BY RECEIVING IT, TO AGREE THAT IT, AND/OR ANY PART OF IT, SHALL NOT BE DISCLOSED TO ANY PERSON, CORPORATION OR OTHER ENTITY, DUPLICATED, AND/OR USED, EXCEPT AS EXPRESSLY APPROVED IN WRITING IN ADVANCE BY OWNER. THIS DOCUMENT SHALL BE RETURNED TO OWNER UPON REQUEST. IT MAY BE SUBJECT TO CERTAIN RESTRICTIONS UNDER APPLICABLE EXPORT CONTROL LAWS AND REGULATIONS. | | | APPROVED BY SBD | DESCRIPTION OUTLINE 182/184JM FR-NEMA-TEFC-RS |
| | | | DATE 08/03/2018 | MATERIAL |
| | | | REFERENCE | PROCESS/FINISH |
| | | | THIRD ANGLE PROJECTION | SIZE B |
| | | | | DRAWING NUMBER SS600202 |
| | | | | SHEET 1 OF 1 |

PRIMARY DIMENSIONS ARE INCH
mm DIMENSIONS IN [BRACKETS]
ARE FOR REFERENCE ONLY

EE7308

THREE PHASE
DUAL VOLTAGE MOTOR



VIEW OF TERMINAL END

REF.
WINDING DIAGRAM

T8Y, T2Y, T2BL, T4BX, T2EC, T2G
T6BZ, T2B, T6BL, T4AV, T6B, T4B

OPTIONAL CORD
CONNECTION

L1 — WHITE
L2 — RED
L3 — BLACK

| NO. | REVISION | BY & DATE | CHK | ANG | TOLERANCES UNLESS SPECIFIED | | FINISH | DRAWN RM 11/20/1990 | | | | |
|--|--|----------------|-----|-------|--------------------------------|--------|---|---------------------|--------|--------------------|-----------|--------|
| | | | | | DEC. | INCHES | | | | | | |
| 5 | CHG TO REGAL LOGO | SL 09/10/2015 | AB | | | | | CHK ML 11/21/1990 | | | | |
| 4 | REVISED IEC NOTATIONS | MSG 11/15/2011 | CMN | .X | ±.1 | | | APPD SAS 04/24/2003 | | | | |
| 3 | ADDED IEC NOTATIONS... (U1), (V1) ETC. MU95194 | MSG 5/10/2010 | MJS | .XX | ±.02 | | | SCALE 1=1 | | | | |
| 2 | ADDED THE OPTIONAL CORD CONNECTION MU46318 | RDH 04/24/2003 | DRS | .XXX | ±.005 | | TITLE CONNECTION DIAGRAM 3Ø - DUAL VOLTAGE MOTOR | REF | | | | |
| 1 | REDRAWN | RM 11/20/1990 | | .XXXX | ±.0005 | | MAT'L. | FMF | | | | |
| | | | | | ±7'30" | | | PREV | | | | |
| THIS DRAWING IN DESIGN AND DETAIL IS OUR PROPERTY AND MUST NOT BE USED EXCEPT IN CONNECTION WITH OUR WORK ALL RIGHTS OF DESIGN AND INVENTION ARE RESERVED THIS IS AN ELECTRONICALLY GENERATED DOCUMENT - DO NOT SCALE THIS PRINT | | | | | | | RFP | CAD FILE ee7308 | SIZE A | DRAWING NO. EE7308 | PAGE OF 5 | REV. 5 |
| | | | | | | | DIST WP | | | | | |



Regal Beloit America, Inc.



**P.O. BOX 8003
WAUSAU, WI 54401-8003
PH. 715-675-3311**

CERTIFICATION DATA SHEET

CUSTOMER:
ORDER #:
CONN. DIAGRAM: EE7308
OUTLINE: SS600202-184JM
WINDING #: HE31124020 3

CUSTOMER PO#:
MODEL #: 184TTFBD6031 AA
CUSTOMER PART #:
MOUNTING: F1/F2 CAPABLE

TYPICAL MOTOR PERFORMANCE DATA

| HP | kW | SYNC. RPM | F.L. RPM | FRAME | ENCLOSURE | KVA CODE | DESIGN |
|-----|-----------|-----------|-----------|-------|-----------|----------|--------|
| 5&3 | 3.70&2.24 | 1800 | 1755&1462 | 184JM | TEFC | J | B |

| PH | Hz | VOLTS | AMPS | START TYPE | DUTY | INSL | S.F. | AMB°C |
|----|-------|-----------------|-----------------|------------------|------------|------|-----------|-------|
| 3 | 60/50 | 230/460&190/380 | 13/6.5&10.2/5.1 | LINE OR INVERTER | CONTINUOUS | F7 | 1.15/1.15 | 40 |

| FULL LOAD EFF: | 89.5&86.5 | 3/4 LOAD EFF: | 89.5 | 1/2 LOAD EFF: | 88.5 | GTD. EFF | | ELEC. TYPE | |
|----------------|-----------|---------------|------|---------------|------|----------|--|-------------------|--|
| FULL LOAD PF: | 80&77 | 3/4 LOAD PF: | 75 | 1/2 LOAD PF: | 64 | 88.5 | | SQ CAGE INV RATED | |

| F.L. TORQUE | LOCKED ROTOR AMPS | L.R. TORQUE | B.D. TORQUE | F.L. RISE°C |
|-------------|-------------------|----------------|----------------|-------------|
| 15 LB-FT | 99 / 49.5 | 33 LB-FT 220 % | 42 LB-FT 290 % | 60 |

| SOUND PRESSURE @ 3 FT. | SOUND POWER | ROTOR WK^2 | MAX. WK^2 | SAFE STALL TIME | STARTS / HOUR | APPROX. MOTOR WGT |
|------------------------|-------------|------------|-----------|-----------------|---------------|-------------------|
| 50 dBA | 60 dBA | - LB-FT^2 | - LB-FT^2 | 15 SEC. | 2 | 114 LBS. |

***** SUPPLEMENTAL INFORMATION *****

| DE BRACKET TYPE | ODE BRACKET TYPE | MOUNT TYPE | ORIENTATION | SEVERE DUTY | HAZARDOUS LOCATION | DRIP COVER | SCREENS | PAINT |
|-----------------|------------------|------------|-------------|-------------|--------------------|-----------------|---------|--------------|
| C-FACE | STANDARD | RIGID | HORIZONTAL | FALSE | DIVISION 2 T2B | PROVISIONS ONLY | NONE | BLUE (EPOXY) |

| BEARINGS | | GREASE | SHAFT TYPE | SPECIAL DE | SPECIAL ODE | SHAFT MATERIAL | FRAME MATERIAL |
|----------|------|------------|------------|------------|-------------|-------------------------|----------------|
| DE | ODE | | | | | | |
| BALL | BALL | POLYREX EM | JM | NONE | NONE | 1045 HOT ROLLED (C-204) | ROLLED STEEL |
| 6307 | 6205 | | | | | | |

| THERMO-PROTECTORS | | | | THERMISTORS | CONTROL | SPACE HEATERS |
|-------------------|------------|----------|----------|-------------|---------|---------------|
| THERMOSTATS | PROTECTORS | WDG RTDs | BRG RTDs | | | |
| NONE | NOT | NONE | NONE | NONE | FALSE | NONE VOLTS |

*
N
O
T
E
S
*

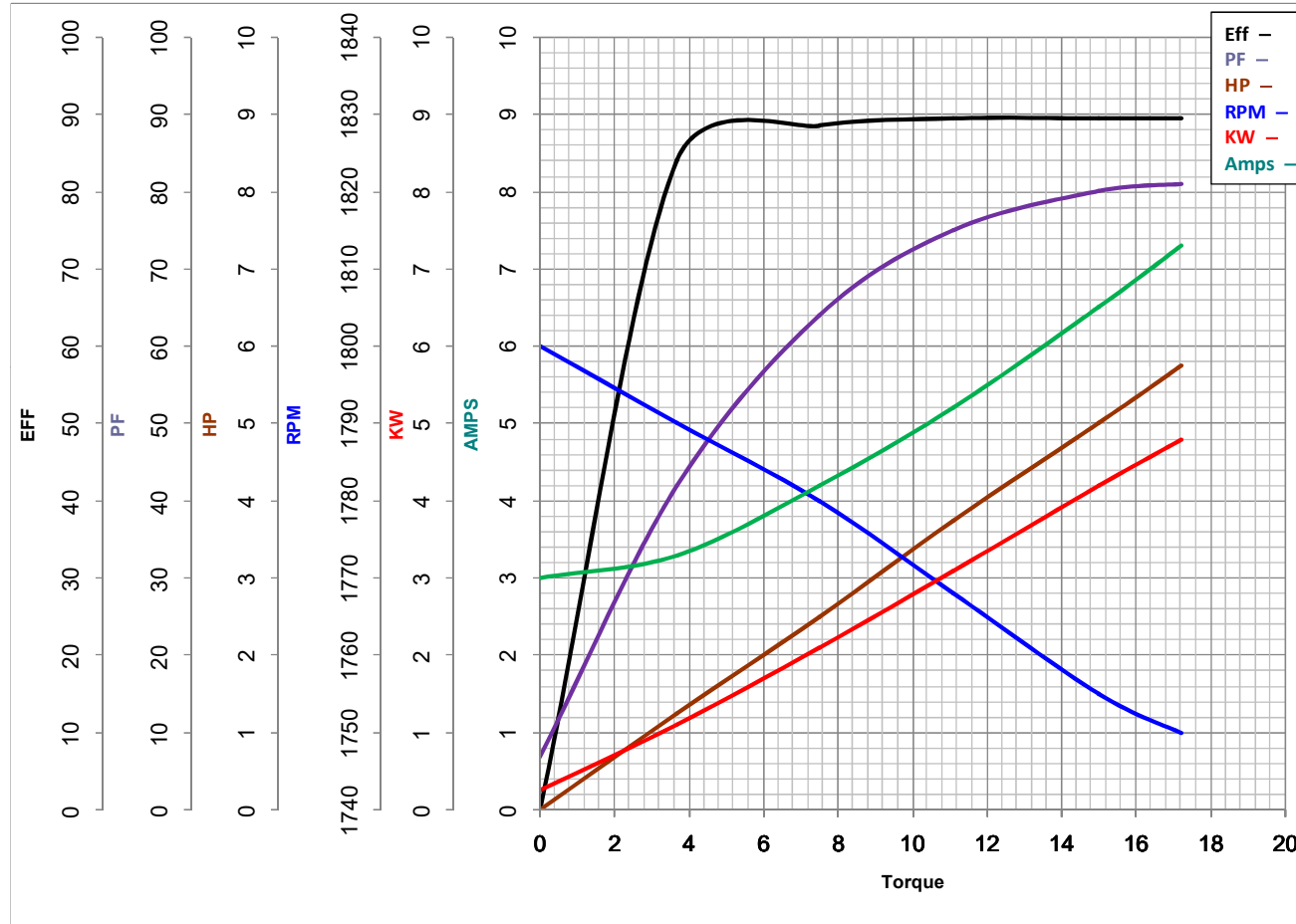
| |
|--|
| INVERTER TORQUE: CONSTANT 10:1/VARIABLE 10:1 INV. HP SPEED RANGE: NONE |
| ENCODER: NONE NONE NONE NONE NONE PPR |
| BRAKE: NONE NONE NONE P/N NONE NONE NONE NONE FT-LB NONE V NONE Hz |

PREPARED BY: Dinesh
Suddula **DATE:**
02/14/2019 01:00:01 AM
FORM 3531 REV.3 02/07/99
** Subject to change without
notice.



MARATHON ELECTRIC CORPORATION
TYPICAL PERFORMANCE CURVE for AC MOTOR

Customer _____ Curve at 460 Volts HP 5&3 PHASE 3
 Model No 184TTFB6031 60 HZ
5 HP VOLTS 230/460&190/380
 Catalog No GT3113A HZ 60&50 RPM 1755&1462



| | | | | | |
|-----------|--------------|-------|-----------|---------------|-------|
| FL TORQUE | <u>15</u> | Lb.Ft | FL AMPS | <u>13/6.5</u> | |
| BD TORQUE | <u>42.0</u> | Lb.Ft | PU TORQUE | <u>27.0</u> | Lb.Ft |
| LR TORQUE | <u>33</u> | Lb.Ft | LR AMPS | <u>49.5</u> | |
| WINDING | HE31124020-3 | | Date | 1/7/2019 | |

EC Declaration of Conformity

The undersigned representing
the manufacturer:

Regal Beloit America
100 East Randolph St.
Wausau, WI 54401

and the authorized representative
established within the Community:

Marathon Electric UK
6F Thistleton Road Ind. Estate
Market Overton
Oakham, Rutland LE15 7PP UK

are committed to providing customers with products that comply with applicable regulations and international protocols to which they are subject, including the requirements of the European Parliament Directive on the Harmonization of the laws relating to electrical equipment designed for use within certain voltage limits (2014/35/EU).

Regal Beloit America declares that the following product(s), to which this declaration relates, are in conformity with the relevant sections of the EC standards listed below.

This statement supersedes any statements previously issued pertaining to the product(s) listed below and is subject to change without notice.

Model No : 184TTFBD6031

(Model No. may contain prefix and/or suffix characters)

Catalog No : GT3113A

Rework No : N/A

Directives :

Low Voltage Directive 2014/35/EU

Harmonized Standards Used :

EN 60034-1: 2010 (IEC 60034-1: 2010)

EN 60034-5: 2001/A1:2007 (IEC 60034-5: 2000/A1:2006)

Authorized Representative:



Michael A. Logsdon
Vice President, Technology

Authorized Representative in the Community:



Julian Clark
Marketing Engineer

Created on 09/01/2022

CE 22