

PRODUCT INFORMATION PACKET

marathon[®]
Motors

Model No: 184TTDW9308

Catalog No: C1105

Other Purpose Motor, 7.50 & 5 HP, 3 Ph, 60 & 50 Hz, 208-230/460 & 190/380 V, 3600 & 3000 RPM,
184TC Frame, DP

Regal and Marathon are trademarks of Regal Rexnord Corporation or one of its affiliated companies.

©2023 Regal Rexnord Corporation, All Rights Reserved. MC017097E

RegalRexnord

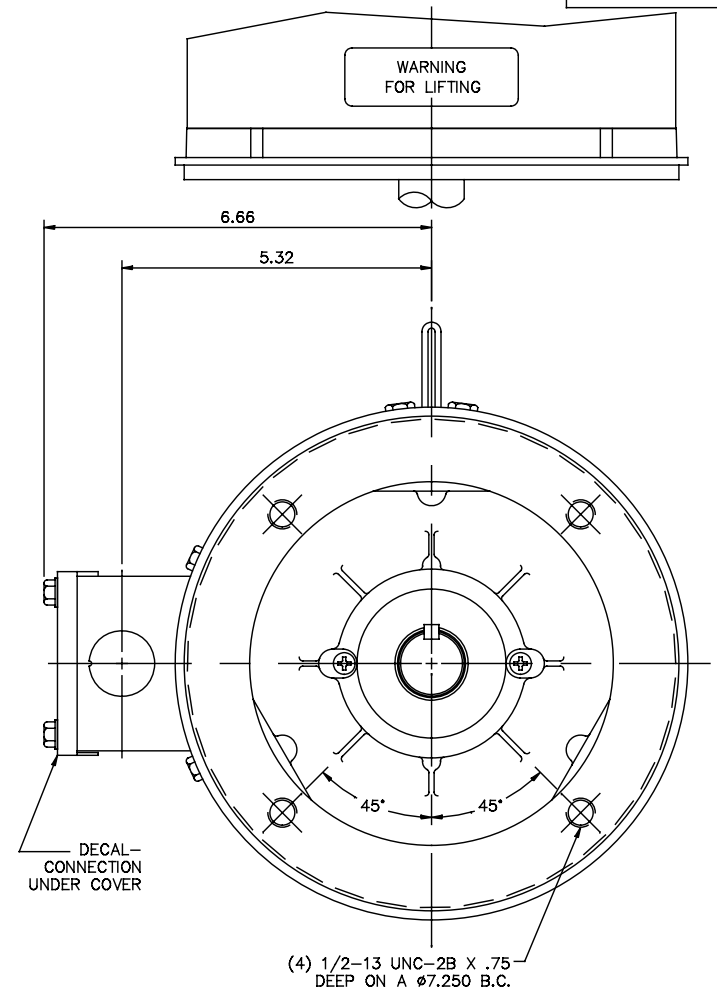
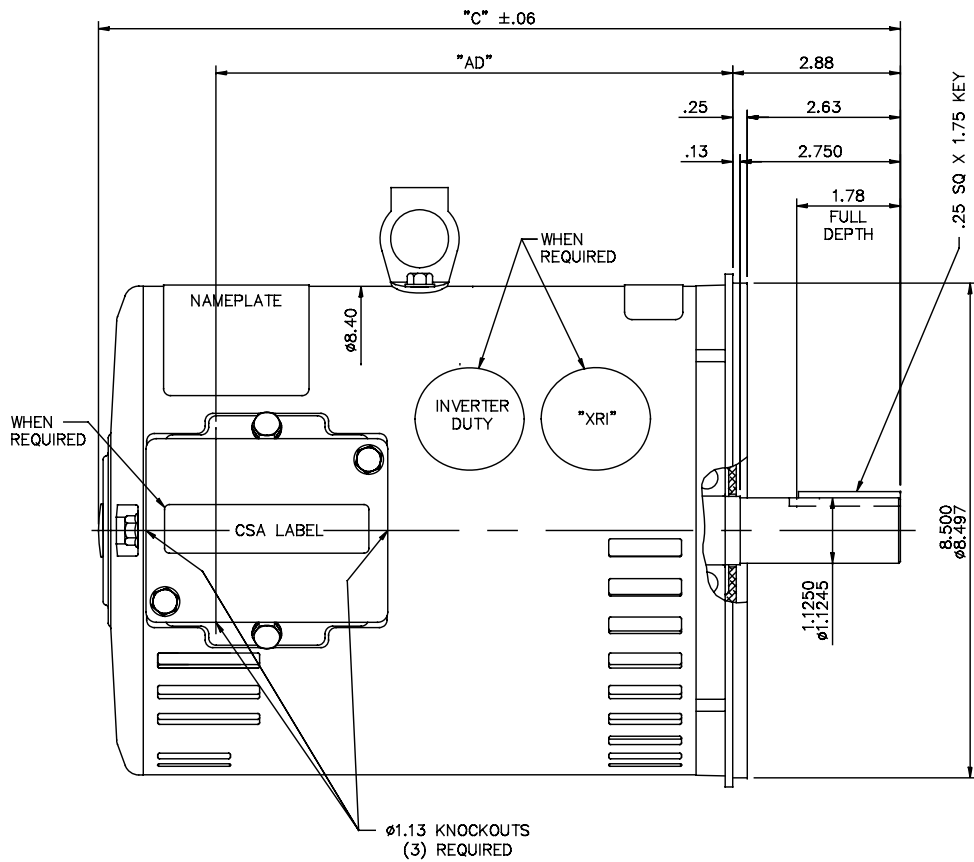
Nameplate Specifications

Phase	3	Output HP	7.50 & 5 Hp
Output KW	5.6 & 3.7 kW	Voltage	208-230/460 & 190/380 V
Speed	3485 & 2915 rpm	Service Factor	1.15 & 1.15
Frame	184TC	Enclosure	Drip Proof
Thermal Protection	No Protection	Efficiency	84 & 85.5 %
Ambient Temperature	40 °C	Frequency	60 & 50 Hz
Current	21.1-19/9.5 & 15.8/7.9 A	Power Factor	87
Duty	Continuous	Insulation Class	F
Design Code	B	KVA Code	H
Drive End Bearing Size	6206	Opp Drive End Bearing Size	6205
UL	Recognized	CSA	Y
CE	Y	IP Code	22
Number of Speeds	1		

Technical Specifications

Electrical Type	Squirrel Cage Induction Run	Starting Method	Across The Line
Poles	2	Rotation	Reversible
Resistance Main	0 Ohms	Mounting	Round
Motor Orientation	Horizontal	Drive End Bearing	Ball
Opp Drive End Bearing	Ball	Frame Material	Rolled Steel
Shaft Type	T	Overall Length	13.78 in
Frame Length	9.50 in	Shaft Diameter	1.125 in
Shaft Extension	2.75 in	Assembly/Box Mounting	F1 ONLY
Connection Drawing	005010.01ME	Outline Drawing	035593-950

035593



GASKETS THROUGHOUT
 MAXIMUM FACE RUNOUT TO BE .004 T.I.R.
 MAXIMUM PILOT ECCENTRICITY TO BE .004 T.I.R.
 PERMISSIBLE SHAFT RUNOUT TO BE .002 T.I.R.

DASH NO.	"C"	"AD"
850	12.78	7.88
900	13.28	8.38
950	13.78	8.88
1000	14.28	9.38
1050	14.78	9.88
1100	15.28	10.38
1150	15.78	10.88

				TOLERANCES UNLESS SPECIFIED		MARATHON ELECTRIC		DRAWN KVN 12/11/2007		
				DEC.	INCHES			CHK		
				.X	±.1			APPD		
03	CSA LABEL and XRI DECAL ADDED	SAJ	07/03/15	GR	.XX	±.03	TITLE	SCALE	1=2	
02	CONDUIT BOX UPDATED	PVR	04/08/14	JD	.XXX	±.005	TITLE	SCALE	1=2	
01	ADD DECAL 080994-01 PER ISAAC 11-0611	LST	2/10/11	J	.XXXX	±.0005	MAT'L	REF	035574 & 35445	
NO.	REVISION	BY	DATE	CHK	ANG	±1/2"	FINISH	FMF	184TDW9308	
THIS DRAWING IN DESIGN AND DETAIL IS OUR PROPERTY AND MUST NOT BE USED EXCEPT IN CONNECTION WITH OUR WORK. ALL RIGHTS OF DESIGN AND INVENTION ARE RESERVED. THIS IS AN ELECTRONICALLY GENERATED DOCUMENT - DO NOT SCALE THIS PRINT.				RFP			CAD FILE	035593	SIZE	DRAWING NO.
				DIST	NLV			B	035593	
									REV.	
									03	

VIEW FROM OUTSIDE OF MOTOR AT SWITCH END.



VOLTAGE	L1	L2	L3	JOIN & INSULATE
HIGH	T1	T2	T3	(T4,T7) (T5,T8) (T6,T9)
LOW	T1,T7	T2,T8	T3,T9	T4,T5,T6

		TOLERANCES UNLESS SPECIFIED		DRAWN RDW 04/12/02		
		DEC.	INCHES	CHK		
		.X	±.1	APPD		
		.XX	±.01	SCALE 1=1		
		.XXX	±.005	REF FIG.2-51		
		.XXXX	±.0005	FMF		
NO.	REVISION	BY & DATE	CHK	ANG	FINISH	PREV
			RFP	04/12/02	CAD FILE 00501001ME	SIZE A
					DRAWING NO. 005010-01ME	REV.
				DIST		

THIS DRAWING IN DESIGN AND DETAIL IS OUR PROPERTY AND MUST NOT BE USED EXCEPT IN CONNECTION WITH OUR WORK ALL RIGHTS OF DESIGN AND INVENTION ARE RESERVED THIS IS AN ELECTRONICALLY GENERATED DOCUMENT - DO NOT SCALE THIS PRINT