

PRODUCT INFORMATION PACKET

marathon[®]
Motors

Model No: 184TTDW7322

Catalog No: M1319A

Close-Coupled Pump Motor, 7.50 & 5 HP, 3 Ph, 60 & 50 Hz, 208-230/460 & 190/380 V, 3600 & 3000 RPM,
184JM Frame, DP

Regal and Marathon are trademarks of Regal Rexnord Corporation or one of its affiliated companies.

©2023 Regal Rexnord Corporation, All Rights Reserved. MC017097E

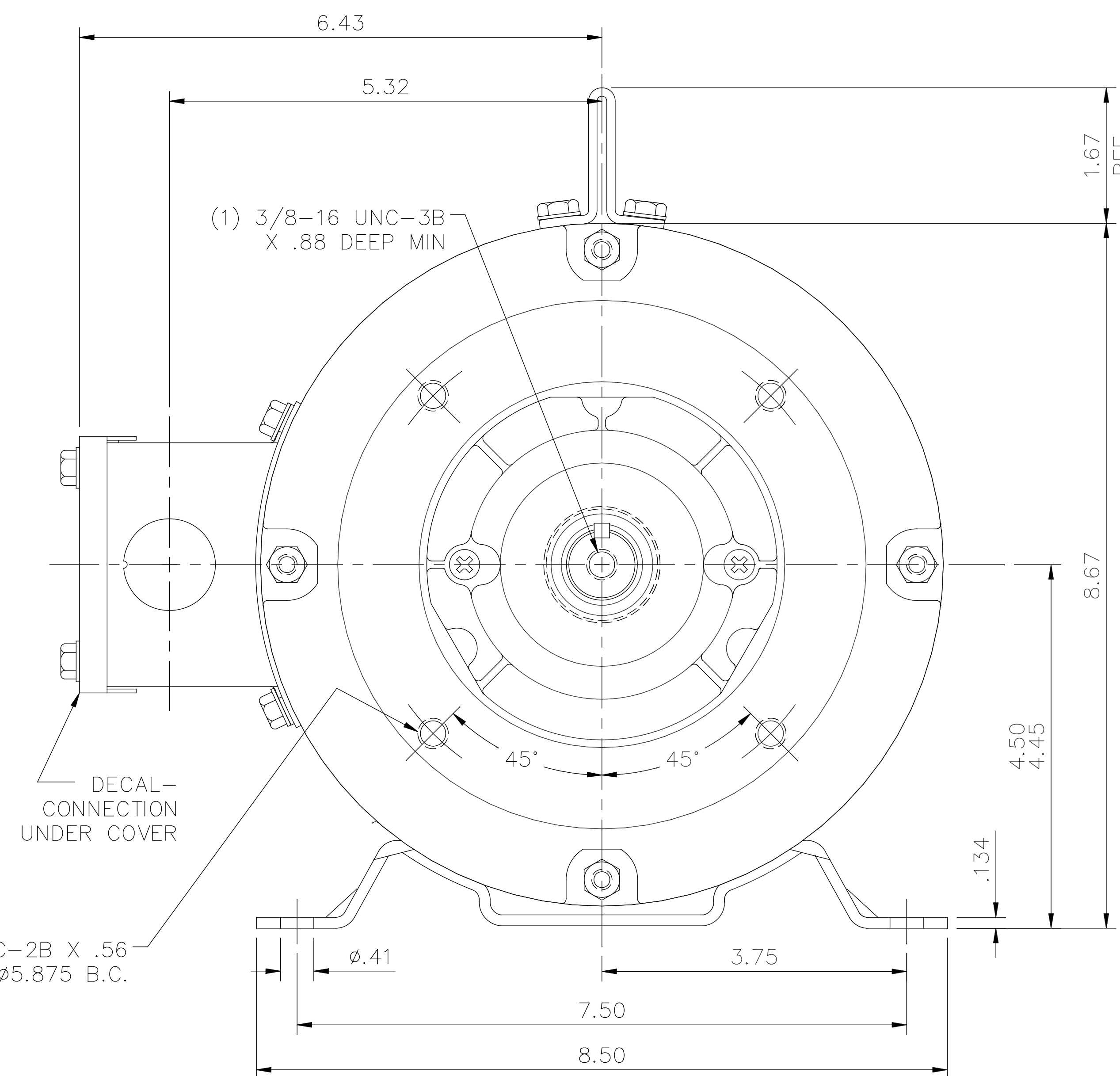
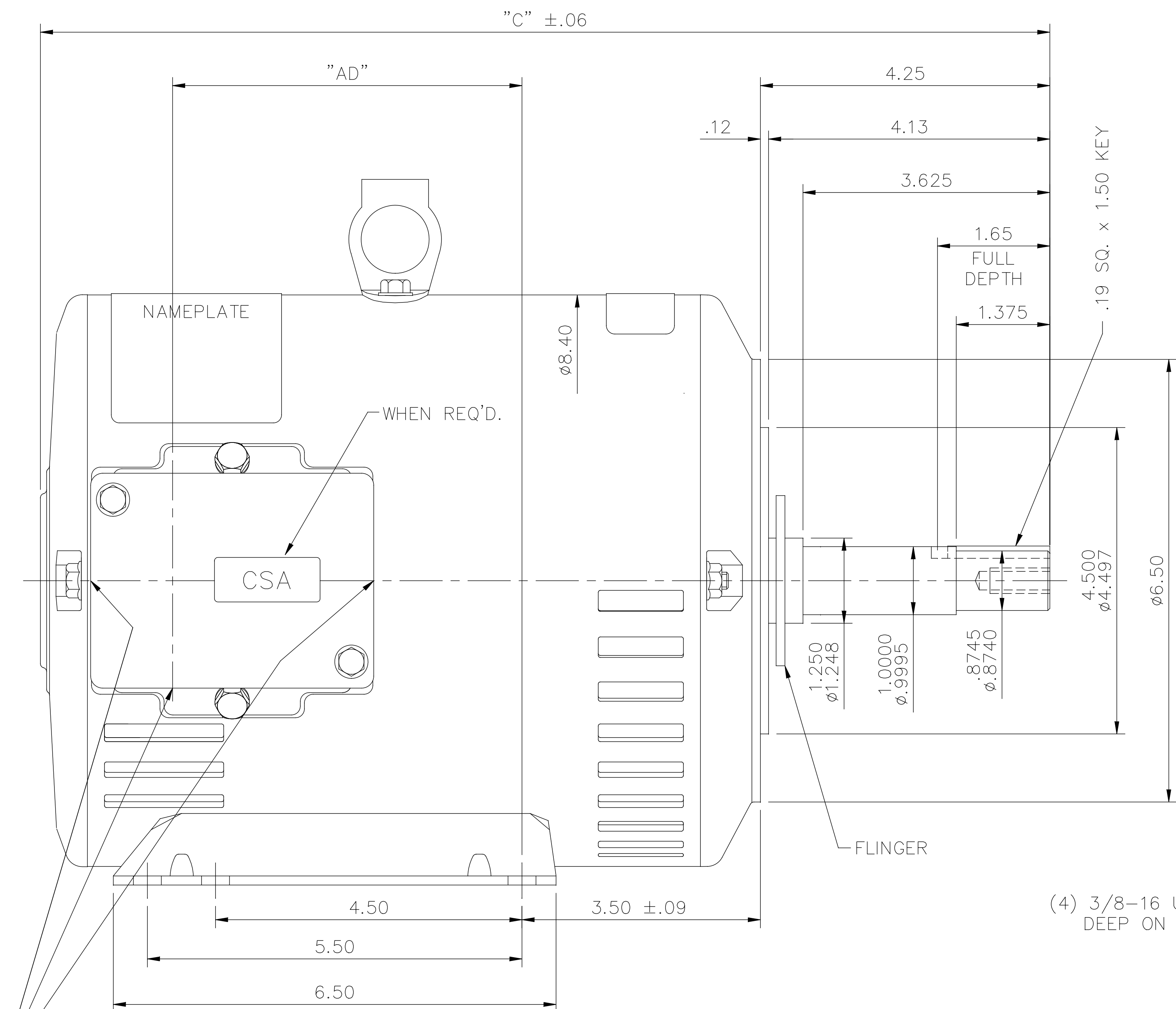
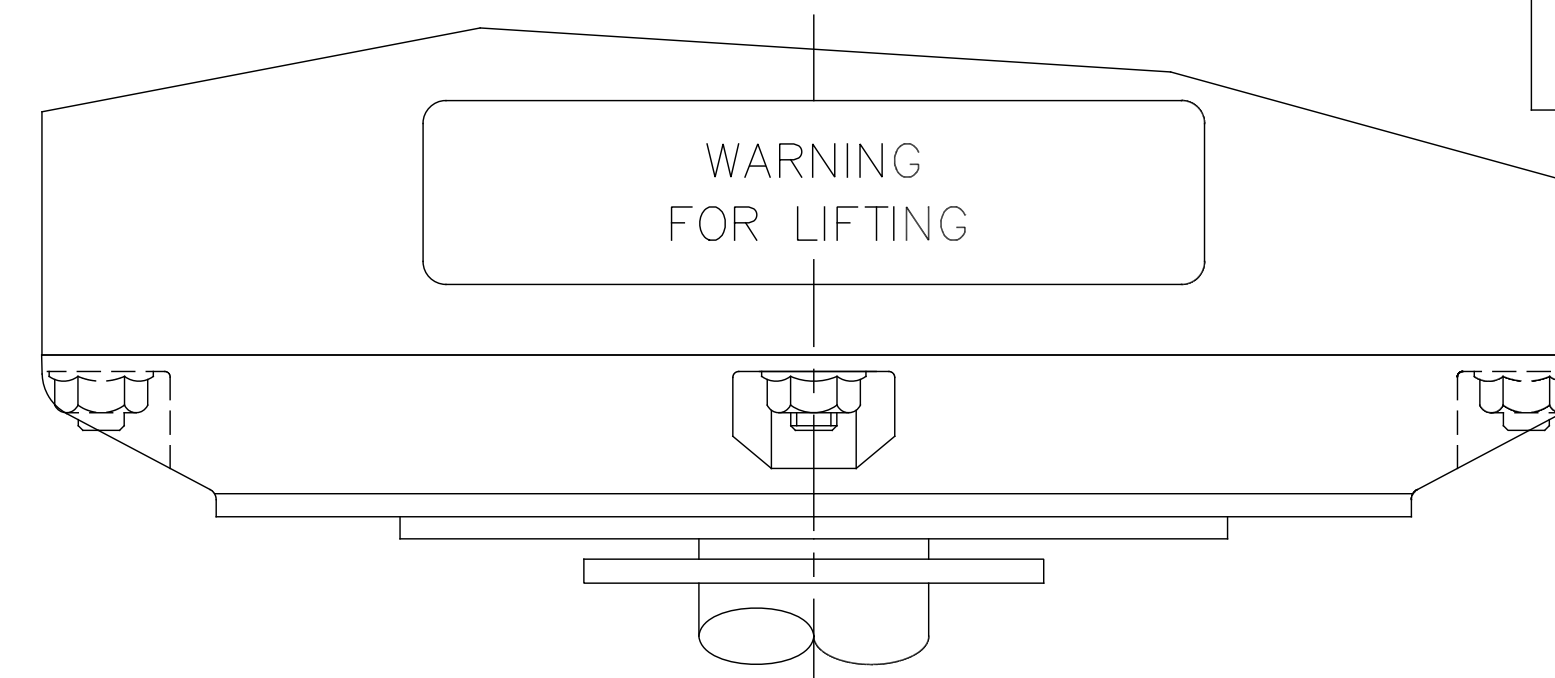
The logo for Regal Rexnord, featuring a stylized 'R' icon followed by the text 'RegalRexnord'.

Nameplate Specifications

Phase	3	Output HP	7.50 & 5 Hp
Output KW	5.6 & 3.7 kW	Voltage	208-230/460 & 190/380 V
Speed	3485 & 2915 rpm	Service Factor	1.15 & 1.15
Frame	184JM	Enclosure	Drip Proof
Thermal Protection	No Protection	Efficiency	84 & 85.5 %
Ambient Temperature	40 °C	Frequency	60 & 50 Hz
Current	21-19/9.5 & 15.8/7.9 A	Power Factor	87
Duty	Continuous	Insulation Class	F
Design Code	B	KVA Code	H
Drive End Bearing Size	6207	Opp Drive End Bearing Size	6205
UL	Recognized	CSA	Y
CE	Y	IP Code	22
Number of Speeds	1		

Technical Specifications

Electrical Type	Squirrel Cage Induction Run	Starting Method	Across The Line
Poles	2	Rotation	Reversible
Resistance Main	0 Ohms	Mounting	Rigid Base
Motor Orientation	Horizontal	Drive End Bearing	Ball
Opp Drive End Bearing	Ball	Frame Material	Rolled Steel
Shaft Type	JM	Overall Length	15.32 in
Frame Length	9.50 in	Shaft Diameter	1.630 in
Shaft Extension	4.28 in	Assembly/Box Mounting	F1 Only
Outline Drawing	035565-950	Connection Drawing	005010.01ME



Ø1.13 KNOCKOUTS
(3) REQUIRED

GASKETS THROUGHOUT
MAXIMUM FACE RUNOUT TO BE .004 T.I.R.
MAXIMUM PILOT ECCENTRICITY TO BE .004 T.I.R.
PERMISSIBLE SHAFT RUNOUT TO BE .004 T.I.R.

DASH NO.	"C"	"AD"
800	13.82	4.13
850	14.32	4.63
900	14.82	5.13
950	15.32	5.63
1000	15.82	6.13
1050	16.32	6.63
1100	16.82	7.13
1150	17.32	7.63

NO.	REVISION	BY & DATE	CHK	ANG	TOLERANCES UNLESS SPECIFIED		MARATHON ELECTRIC	DRAWN KVN 09/11/2007
					DEC.	INCHES		
04	DRAWING UPDATED	SL 05/16/16	GR	.X	±.1			CHK
03	CSA WHEN REQ'D ADDED PER ECO-0045263	UD 02/11/14	GR	.XX	±.03		TITLE OUTLINE - 180JM FRAME	APPD
02	REMOVED THE CE DECAL	SVL 6/11/2009	SVL	.XXX	±.005		DRIP PROOF - RIGID "C" - JM PUMP	SCALE 1=2
01	REVISED C/B MOUNTING BOLT POSITION.	ST 3/24/2009	VV	.XXXX	±.0005		MAT'L.	REF 035485
					±1/2'		FINISH	FMF 182TTDW7325
THIS DRAWING IN DESIGN AND DETAIL IS OUR PROPERTY AND MUST NOT BE USED EXCEPT IN CONNECTION WITH OUR WORK ALL RIGHTS OF DESIGN AND INVENTION ARE RESERVED THIS IS AN ELECTRONICALLY GENERATED DOCUMENT - DO NOT SCALE THIS PRINT					RFP		CAD FILE 035565	SIZE B
					DIST			DRAWING NO. 035565
								REV. 04

VIEW FROM OUTSIDE OF MOTOR AT SWITCH END.



VOLTAGE	L1	L2	L3	JOIN & INSULATE
HIGH	T1	T2	T3	(T4,T7) (T5,T8) (T6,T9)
LOW	T1,T7	T2,T8	T3,T9	T4,T5,T6

		TOLERANCES UNLESS SPECIFIED		DRAWN RDW 04/12/02					
		DEC.	INCHES	CHK					
		.X	±.1	APPD					
		.XX	±.01	SCALE 1=1					
		.XXX	±.005	REF FIG.2-51					
		.XXXX	±.0005	FMF					
NO.	REVISION	BY & DATE	CHK	ANG	±1/2'	FINISH	SIZE	DRAWING NO.	REV.
			RFP	04/12/02		CAD FILE	A	005010-01ME	



TITLE EXTERNAL WIRING DIAGRAM
3 PHASE W/O PROTECTOR
MAT'L. DECAL - 004014

THIS DRAWING IN DESIGN AND DETAIL IS OUR PROPERTY AND MUST NOT BE USED EXCEPT IN CONNECTION WITH OUR WORK ALL RIGHTS OF DESIGN AND INVENTION ARE RESERVED THIS IS AN ELECTRONICALLY GENERATED DOCUMENT - DO NOT SCALE THIS PRINT