

PRODUCT INFORMATION PACKET

marathon[®]
Motors

Model No: 184TTDW4027

Catalog No: E1905

5 HP General Purpose Motor, 3 phase, 1800 RPM, 200 V, 184T Frame, ODP
General Purpose Motors

Regal and Marathon are trademarks of Regal Rexnord Corporation or one of its affiliated companies.
©2021 Regal Rexnord Corporation, All Rights Reserved. MC017097E

RegalRexnord



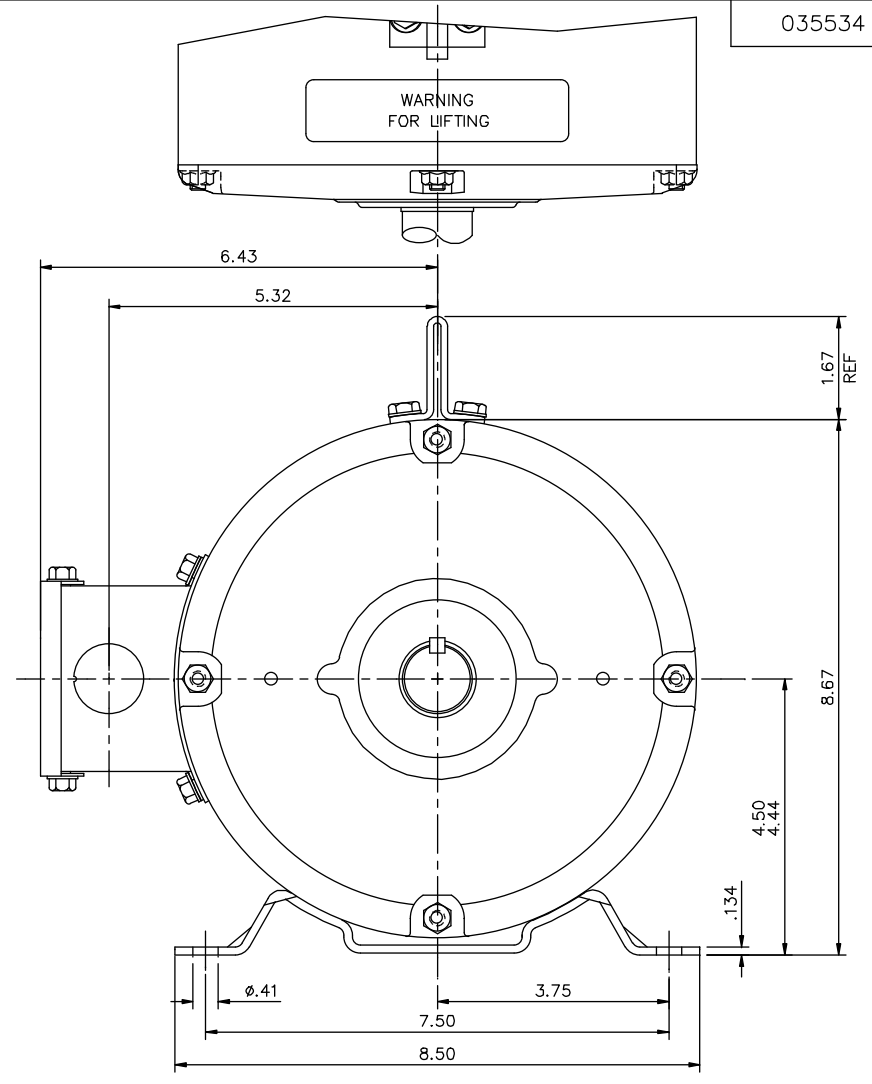
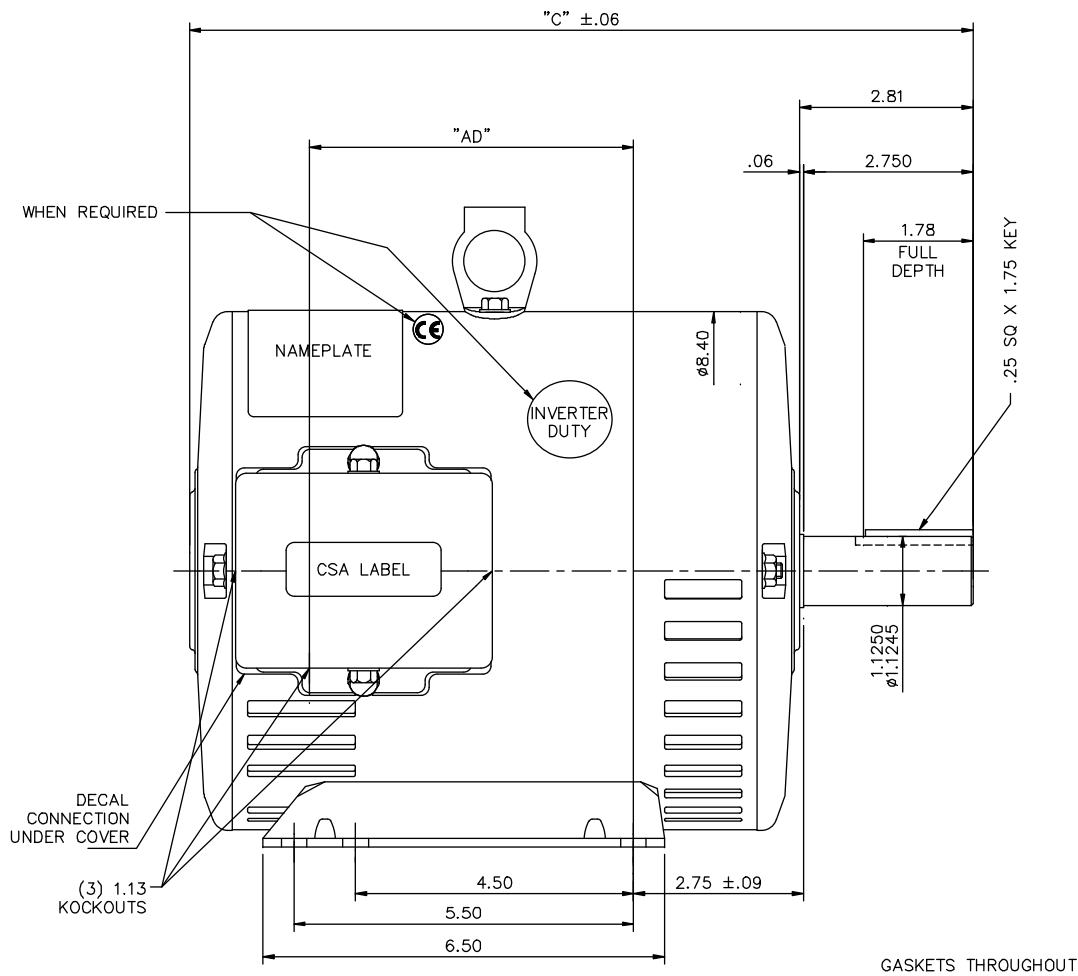
Nameplate Specifications

Output HP	5 Hp	Output KW	3.7 kW
Frequency	60 Hz	Voltage	200 V
Current	15.6 A	Speed	1755 rpm
Service Factor	1.15	Phase	3
Efficiency	87.5 %	Power Factor	81.1
Duty	Continuous	Insulation Class	F
Design Code	B	KVA Code	J
Frame	184T	Enclosure	Drip Proof
Thermal Protection	No	Ambient Temperature	40 °C
Drive End Bearing Size	6206	Opp Drive End Bearing Size	6205
UL	Recognized	CSA	Y
CE	Y	IP Code	22
Number of Speeds	1		

Technical Specifications

Electrical Type	Squirrel Cage Induction Run	Starting Method	Across The Line
Poles	4	Rotation	Reversible
Resistance Main	0 Ohms	Mounting	Rigid Base
Motor Orientation	Horizontal	Drive End Bearing	Ball
Opp Drive End Bearing	Ball	Frame Material	Rolled Steel
Shaft Type	T	Overall Length	13.19 in
Frame Length	9.00 in	Shaft Diameter	1.125 in
Shaft Extension	2.75 in	Assembly/Box Mounting	F1 ONLY
Outline Drawing	035534-900	Connection Drawing	005102.01ME

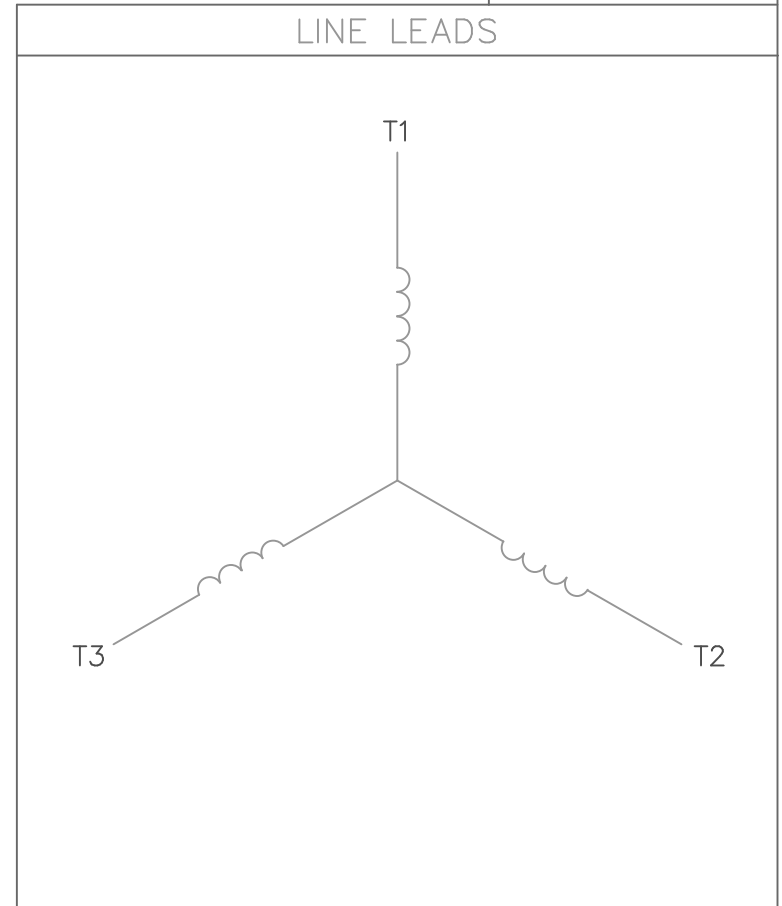
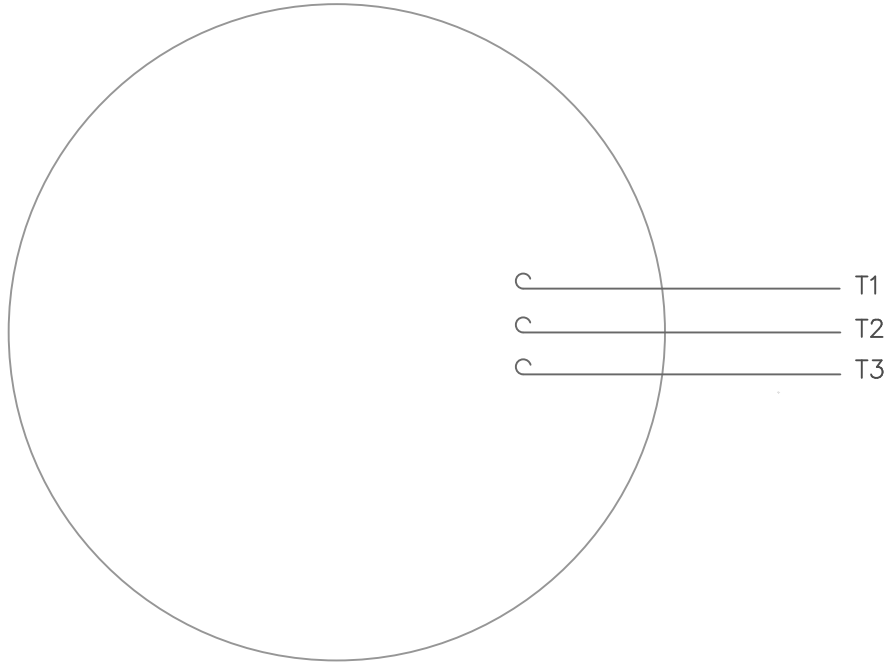
This is an uncontrolled document once printed or downloaded and is subject to change without notice. Date Created:10/12/2021



DASH NO.	"C"	"AD"
850	12.69	5.25
900	13.19	5.75
950	13.69	6.25
1000	14.19	6.75
1050	14.69	7.25
1100	15.19	7.75
1150	15.69	8.25
1200	16.19	8.75

NO.	REVISION	BY & DATE	CHK	ANG	TOLERANCES UNLESS SPECIFIED		MATERIAL	FINISH	DRAWN	CHK	APPD	RVD	SCALE	1=2	REV.	
					DEC.	INCHES										
.X	±.1															
.XX	±.03															
.XXX	±.005															
.XXXX	±.0005															
02	ADD "INVERTER DUTY" DECAL PER ISAAC 09-5523	LST 1/25/10														
01	REMOVED SERIES-E DECAL	VV 08/08/07														
THIS DRAWING IN DESIGN AND DETAIL IS OUR PROPERTY AND MUST NOT BE USED EXCEPT IN CONNECTION WITH OUR WORK ALL RIGHTS OF DESIGN AND INVENTION ARE RESERVED THIS IS AN ELECTRONICALLY GENERATED DOCUMENT - DO NOT SCALE THIS PRINT										RFP						
										DIST	NLV					
										CAD FILE	035534					
										SIZE	B					
										DRAWING NO.	035534					
										REV.	02					

VIEW FROM OUTSIDE OF MOTOR AT SWITCH END.



CONNECT LEADS AS FOLLOWS
FOR FOUR CONDUCTOR CORD ()

CORD	L1 (RED)	L2 (WHITE)	L3 (BLACK)	(GREEN)
MOTOR	T1	T2	T3	GROUND

				TOLERANCES UNLESS SPECIFIED			DRAWN RDW 5/1/02		
				DEC.	INCHES		CHK		
				.X	±.1		APPD		
				.XX	±.01		SCALE 1=1		
				.XXX	±.005		REF		
				.XXXX	±.0005	MAT'L. DECAL - 004169	FMF		
NO.	REVISION	BY & DATE	CHK	ANG	±1/2'	FINISH	PREV		
THIS DRAWING IN DESIGN AND DETAIL IS OUR PROPERTY AND MUST NOT BE USED EXCEPT IN CONNECTION WITH OUR WORK ALL RIGHTS OF DESIGN AND INVENTION ARE RESERVED THIS IS AN ELECTRONICALLY GENERATED DOCUMENT - DO NOT SCALE THIS PRINT				RFP	5/1/02	CAD FILE 00510201ME	SIZE A	DRAWING NO. 005102-01ME	REV.
				DIST					