

# PRODUCT INFORMATION PACKET

Model No: 184TTDW16041

Catalog No: U917

XRI® General Purpose General Purpose Motor, 5 HP, 3 Ph, 60 Hz, 575 V, 1800 RPM, 184T Frame, DP



Regal and Marathon are trademarks of Regal Rexnord Corporation or one of its affiliated companies.

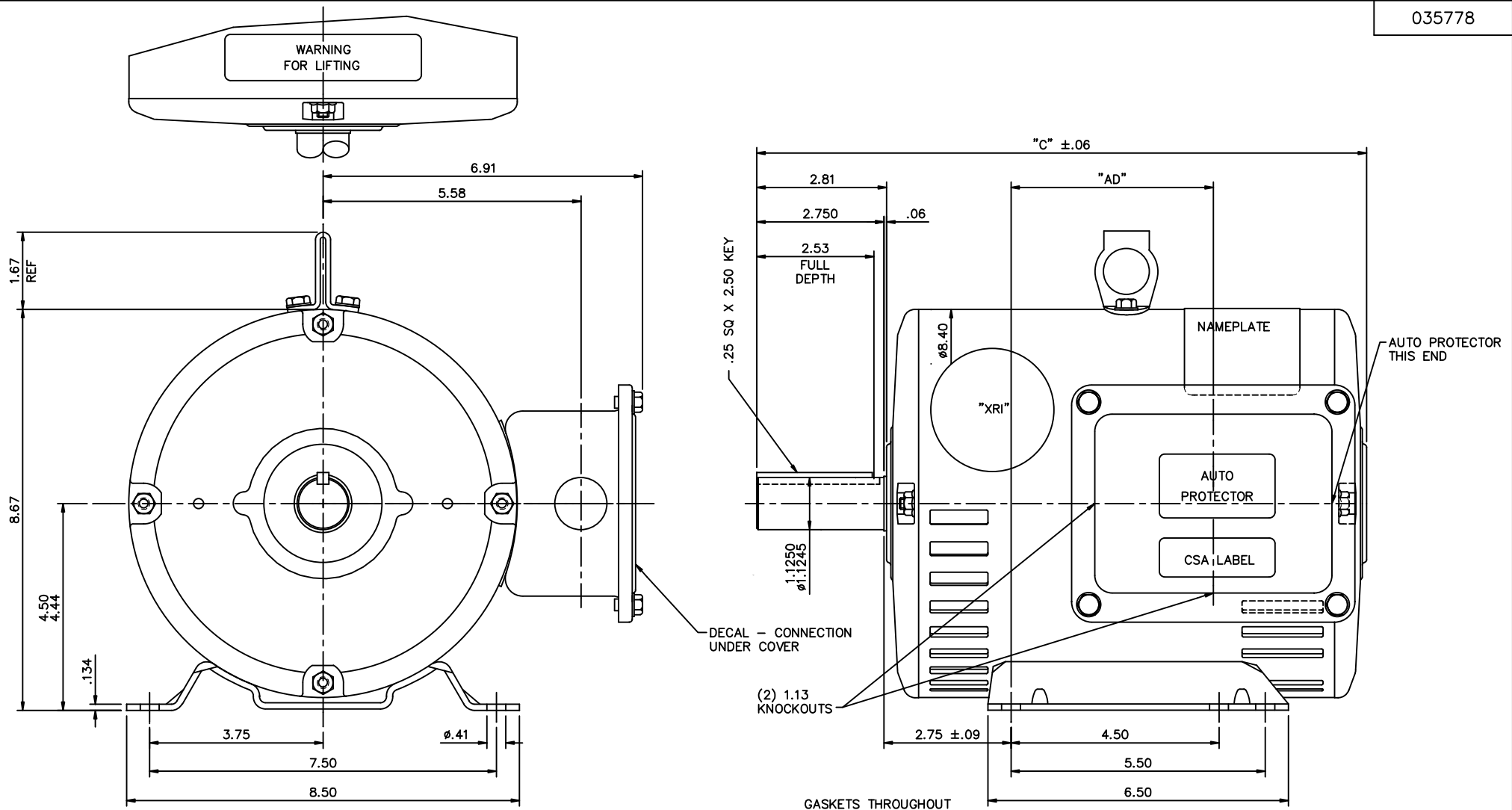
©2023 Regal Rexnord Corporation, All Rights Reserved. MC017097E

### Nameplate Specifications

Phase	<b>3</b>	Output HP	<b>5 Hp</b>
Output KW	<b>3.7 kW</b>	Voltage	<b>575 V</b>
Speed	<b>1755 rpm</b>	Service Factor	<b>1.15</b>
Frame	<b>184T</b>	Enclosure	<b>Drip Proof</b>
Thermal Protection	<b>Automatic</b>	Efficiency	<b>89.5 %</b>
Ambient Temperature	<b>40 °C</b>	Frequency	<b>60 Hz</b>
Current	<b>5.1 A</b>	Power Factor	<b>83</b>
Duty	<b>Continuous</b>	Insulation Class	<b>F</b>
Design Code	<b>B</b>	KVA Code	<b>J</b>
Drive End Bearing Size	<b>6206</b>	Opp Drive End Bearing Size	<b>6205</b>
UL	<b>Recognized</b>	CSA	<b>Y</b>
CE	<b>Y</b>	IP Code	<b>22</b>
Number of Speeds	<b>1</b>		

### Technical Specifications

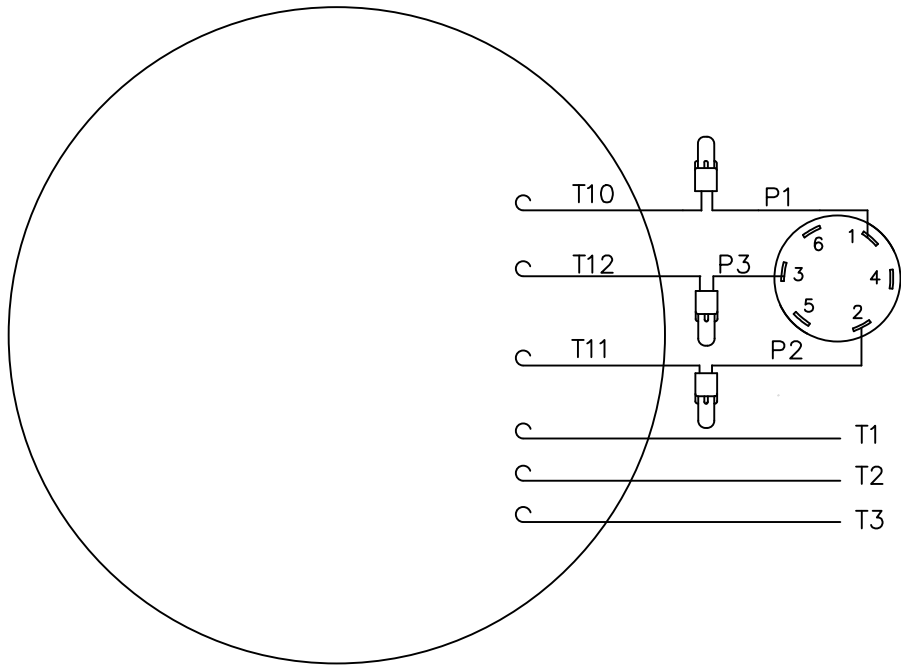
Electrical Type	<b>Squirrel Cage Induction Run</b>	Starting Method	<b>Across The Line</b>
Poles	<b>4</b>	Rotation	<b>Reversible</b>
Resistance Main	<b>2.72 Ohms</b>	Mounting	<b>Rigid Base</b>
Motor Orientation	<b>Horizontal</b>	Drive End Bearing	<b>Ball</b>
Opp Drive End Bearing	<b>Ball</b>	Frame Material	<b>Rolled Steel</b>
Shaft Type	<b>T</b>	Overall Length	<b>14.19 in</b>
Frame Length	<b>10.00 in</b>	Shaft Diameter	<b>1.125 in</b>
Shaft Extension	<b>2.81 in</b>	Assembly/Box Mounting	<b>F1/F2 CAPABLE</b>
Connection Drawing	<b>005074.11ME</b>	Outline Drawing	<b>035778-1000</b>



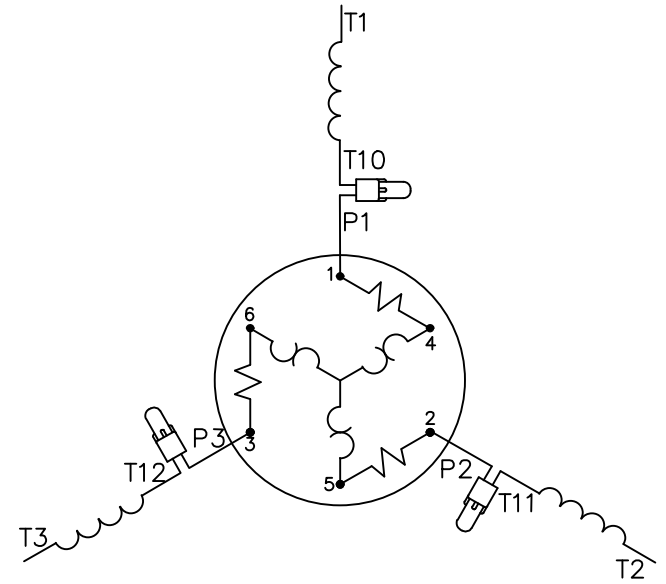
DASH NO.	"C"	"AD"
950	13.69	4.87
1000	14.19	5.37
1050	14.69	5.87
1100	15.19	6.37

NO.		REVISION	BY & DATE	CHK	ANG	±1/2"	FINISH	CAD FILE	035778	SIZE	DRAWING NO.	REV.
<p>THIS DRAWING IN DESIGN AND DETAIL IS OUR PROPERTY AND MUST NOT BE USED EXCEPT IN CONNECTION WITH OUR WORK ALL RIGHTS OF DESIGN AND INVENTION ARE RESERVED THIS IS AN ELECTRONICALLY GENERATED DOCUMENT - DO NOT SCALE THIS PRINT</p>												
<p>TO TOLERANCES UNLESS SPECIFIED</p>							<p><b>MARATHON ELECTRIC</b></p>					
<p>DEC. INCHES</p>							<p>TITLE OUTLINE - 180T FRAME DRIP PROOF - RIGID</p>					
<p>.X ±.1</p>							<p>SCALE 1=2</p>					
<p>.XX ±.03</p>							<p>REF 01ME101299</p>					
<p>.XXX ±.005</p>							<p>FMF</p>					
<p>.XXXX ±.0005</p>							<p>PREV</p>					
<p>RFP</p>							<p>DIST</p>					

VIEW FROM OUTSIDE OF MOTOR AT SWITCH END.



LINE LEADS



L1	L2	L3
T1	T2	T3

		TOLERANCES UNLESS SPECIFIED		<b>MARATHON ELECTRIC</b>	DRAWN PN 9/29/2010	
		DEC.	INCHES		CHK AK 9/29/2010	
		.X	±0		APPD	
		.XX	±0		SCALE	
		.XXX	±0		REF 005074-11	
		.XXXX	±0	MAT'L. DECAL - 004169	FMF	
NO.	REVISION	BY & DATE	CHK	ANG ±0	FINISH	PREV
THIS DRAWING IN DESIGN AND DETAIL IS OUR PROPERTY AND MUST NOT BE USED EXCEPT IN CONNECTION WITH OUR WORK ALL RIGHTS OF DESIGN AND INVENTION ARE RESERVED THIS IS AN ELECTRONICALLY GENERATED DOCUMENT - DO NOT SCALE THIS PRINT			RFP	CAD FILE 00507411ME	SIZE A	DRAWING NO. 005074-11ME
			DIST			REV.

**CERTIFICATION DATA SHEET**

**Model#:** 184TTDW16041 AA  
**CONN. DIAGRAM:** 005074.11ME  
**OUTLINE:** 035778-1000

**WINDING#:** T84169 DR 9  
**ASSEMBLY:** F1/F2 CAPABLE

**TYPICAL MOTOR PERFORMANCE DATA**

HP	KW	SYNC. RPM	F.L. RPM	FRAME	ENCLOSURE	KVA CODE	DESIGN
5	3.70	1800	1755	184T	DP	J	B

PH	Hz	VOLTS	FL AMPS	START TYPE	DUTY	INSL	S.F	AMB°C	ELEVATION
3	60	575	5.1	ACROSS THE LINE	CONTINUOUS	F4	1.15	40	3300

FULL LOAD EFF: 89.5	3/4 LOAD EFF: 90.7	1/2 LOAD EFF: 90.3	GTD. EFF	ELEC. TYPE	NO LOAD AMPS
FULL LOAD PF: 83	3/4 LOAD PF: 78.5	1/2 LOAD PF: 68.5	0	SQ CAGE IND RUN	2

F.L. TORQUE	LOCKED ROTOR AMPS	L.R. TORQUE	B.D. TORQUE	F.L. RISE°C
14.95 LB-FT	38	30 LB-FT 201	49.3 LB-FT 330	50

SOUND PRESSURE @ 3 FT.	SOUND POWER	ROTOR WK^2	MAX. WK^2	SAFE STALL TIME	STARTS /HOUR	APPROX. MOTOR WGT
0 dBA	10 dBA	0.434 LB-FT^2	0 LB-FT^2	0 SEC.	0	0 LBS.

**\*\*\* SUPPLEMENTAL INFORMATION \*\*\***

DE BRACKET TYPE	ODE BRACKET TYPE	MOUNT TYPE	ORIENTATION	SEVERE DUTY	HAZARDOUS LOCATION	DRIP COVER	SCREENS	PAINT
STANDARD	STANDARD	RIGID	HORIZONTAL	FALSE	NONE	FALSE	NONE	BLUE (ENAMEL)

BEARINGS		GREASE	SHAFT TYPE	SPECIAL DE	SPECIAL ODE	SHAFT MATERIAL	FRAME MATERIAL
DE	OPE						
BALL	BALL	POLYREX EM	T	NONE	NONE	AISI 1045 (C-240)	ROLLED STEEL
6206	6205						

THERMO-PROTECTORS				THERMISTORS	CONTROL	SPACE /n HEATERS
THERMOSTATS	PROTECTORS	WDG RTDs	BRG RTDs			
NONE	AUTOMATIC	NONE	NONE	NONE	FALSE	NONE VOLTS

If Inverter equals NONE, contact factory for further information

\*  
N  
O  
T  
E  
S  
\*

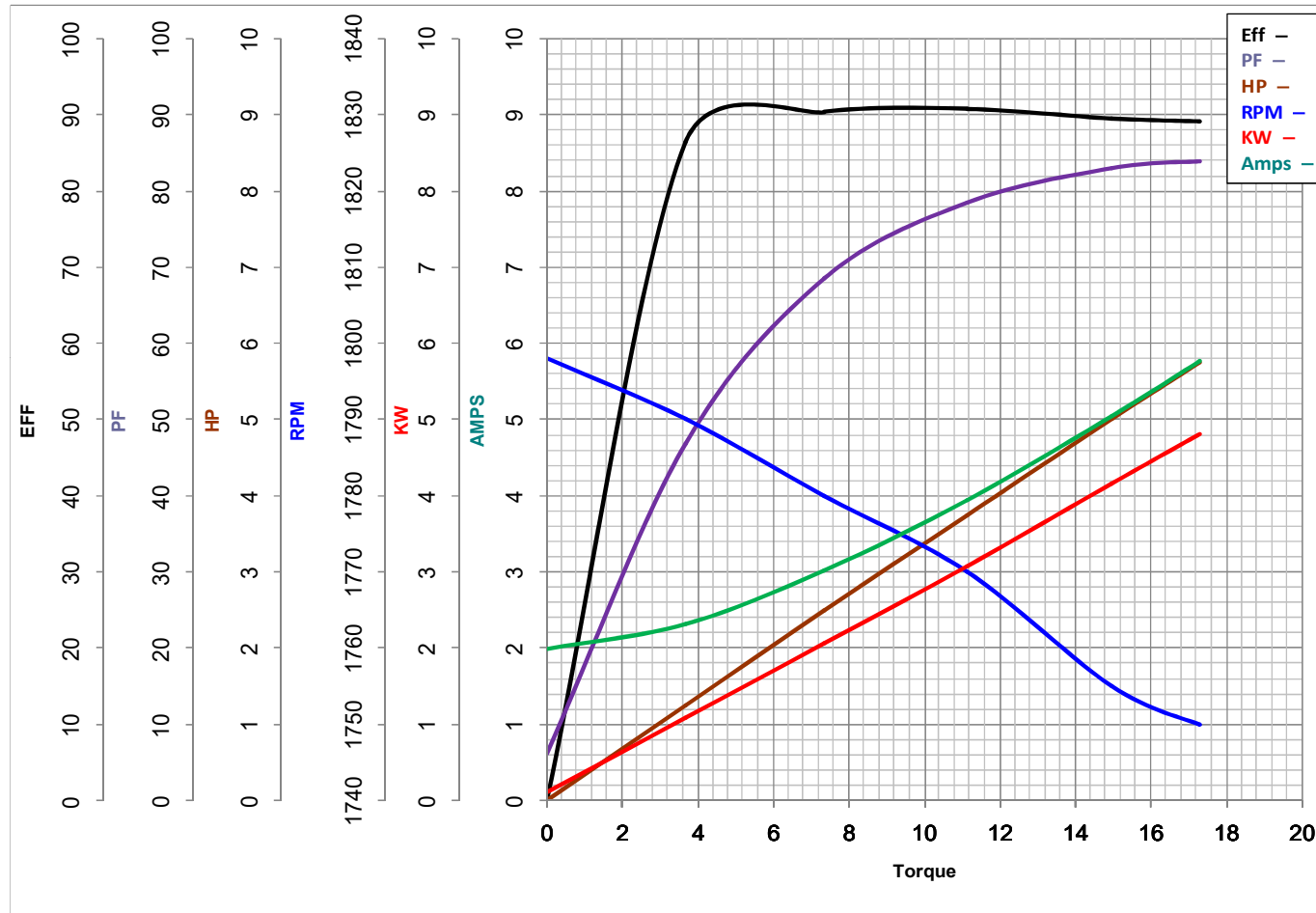
INVERTER TORQUE: NONE
INV. HP SPEED RANGE: NONE
ENCODER: NONE
NONE NONE
NONE NONE PPR
BRAKE: NONE NONE
NONE P/N NONE
NONE NONE
NONE FT-LB NONE V NONE Hz

DATE: 06/28/2017 06:37:20 AM  
 FORM 3531 REV.3 02/07/99  
 \*\* Subject to change without notice.



**MARATHON ELECTRIC CORPORATION**  
TYPICAL PERFORMANCE CURVE for AC MOTOR

Customer \_\_\_\_\_ Curve at 575 Volts HP 5.00 PHASE 3  
 Model No 184TTDW16041 60 HZ 5 HP VOLTS 575  
 Catalog No U917 HZ 60 RPM 1755



Torque in Lb.Ft

FL TORQUE 14.95 Lb.Ft  
 BD TORQUE 49.3 Lb.Ft  
 LR TORQUE 30 Lb.Ft

FL AMPS 5.1  
 PU TORQUE 30.0 Lb.Ft  
 LR AMPS 38

WINDING T84169-9

Date 1/10/2019

## EC Declaration of Conformity

The undersigned representing  
the manufacturer:

Regal Beloit America  
100 East Randolph St.  
Wausau, WI 54401

and the authorized representative  
established within the Community:

Marathon Electric UK  
6F Thistleton Road Ind. Estate  
Market Overton  
Oakham, Rutland LE15 7PP UK

are committed to providing customers with products that comply with applicable regulations and international protocols to which they are subject, including the requirements of the European Parliament Directive on the Harmonization of the laws relating to electrical equipment designed for use within certain voltage limits (2014/35/EU).

Regal Beloit America declares that the following product(s), to which this declaration relates, are in conformity with the relevant sections of the EC standards listed below.

This statement supersedes any statements previously issued pertaining to the product(s) listed below and is subject to change without notice.

Model No : 184TTDW16041

(Model No. may contain prefix and/or suffix characters)

Catalog No : U917

Rework No : N/A

Directives :

Low Voltage Directive 2014/35/EU

Harmonized Standards Used :

EN 60034-1: 2010 (IEC 60034-1: 2010)

EN 60034-5: 2001/A1:2007 (IEC 60034-5: 2000/A1:2006)

Authorized Representative:



Michael A. Logsdon  
Vice President, Technology

Authorized Representative in the Community:



Julian Clark  
Marketing Engineer

Created on 09/01/2022

**CE 22**