

# PRODUCT INFORMATION PACKET

Model No: 184TTDW16038

Catalog No: U428B

XRI® General Purpose General Purpose Motor, 5 & 4 HP, 3 Ph, 60 & 50 Hz, 230/460 & 190/380 V,  
1800 & 1500 RPM, 184T Frame, DP



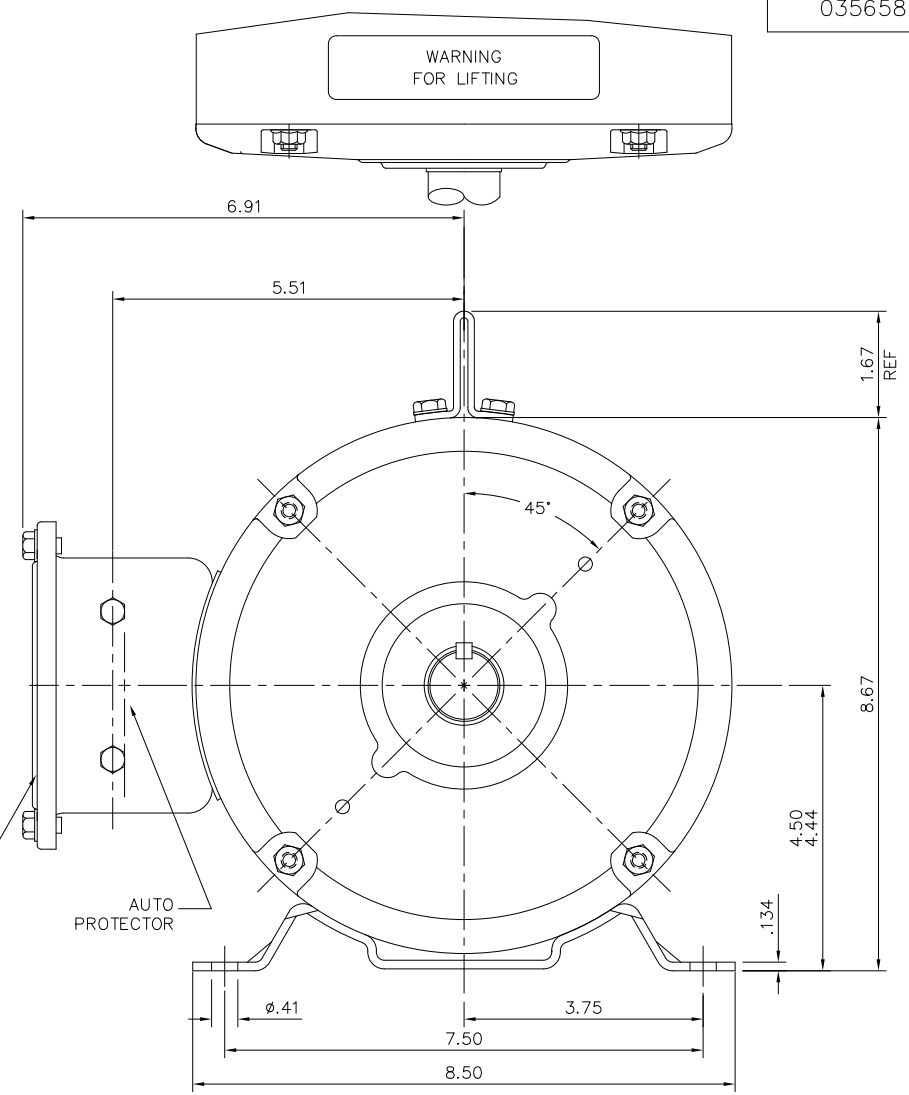
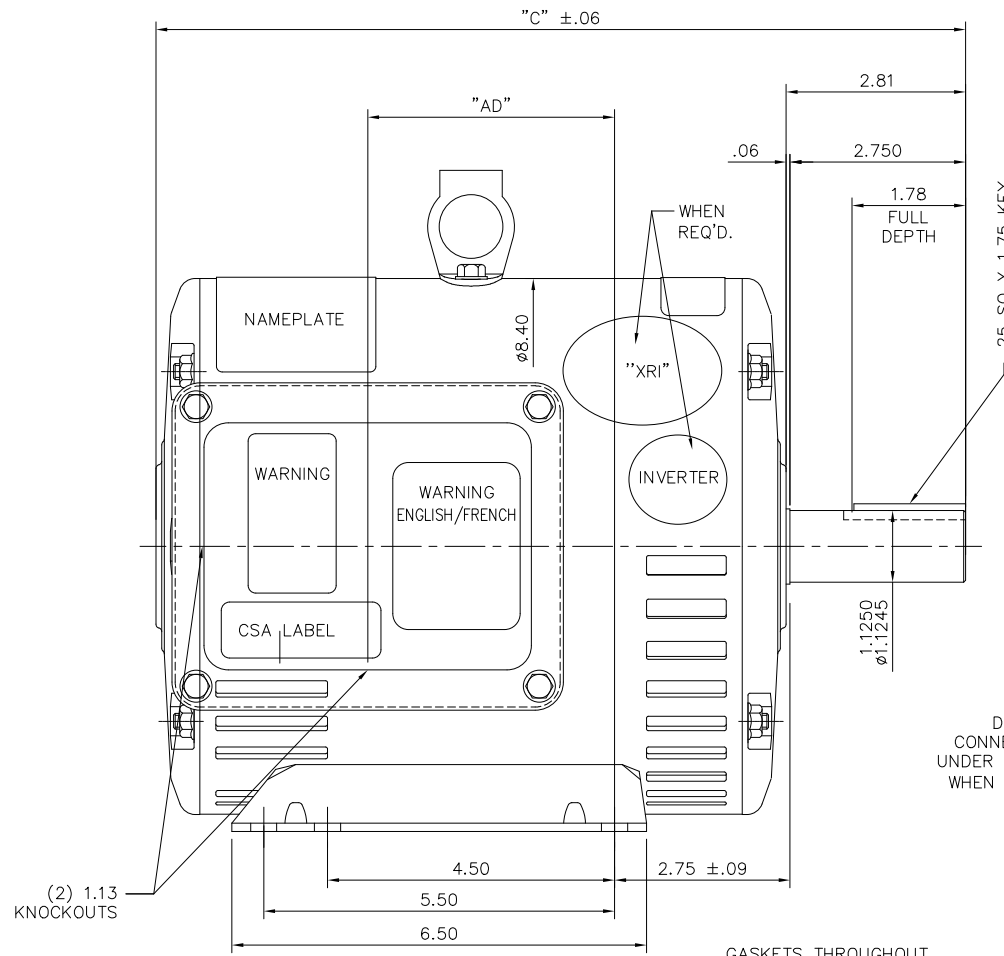
Regal and Marathon are trademarks of Regal Rexnord Corporation or one of its affiliated companies.  
©2024 Regal Rexnord Corporation, All Rights Reserved. MC017097E

### Nameplate Specifications

Phase	<b>3</b>	Output HP	<b>5 &amp; 4 Hp</b>
Output KW	<b>3.7 &amp; 3.0 kW</b>	Voltage	<b>230/460 &amp; 190/380 V</b>
Speed	<b>1755 &amp; 1460 rpm</b>	Service Factor	<b>1.15 &amp; 1.15</b>
Frame	<b>184T</b>	Enclosure	<b>Drip Proof</b>
Thermal Protection	<b>Automatic</b>	Efficiency	<b>89.5 &amp; 89.5 %</b>
Ambient Temperature	<b>40 °C</b>	Frequency	<b>60 &amp; 50 Hz</b>
Current	<b>12.6/6.3 &amp; 12.4/6.2 A</b>	Power Factor	<b>83</b>
Duty	<b>Continuous</b>	Insulation Class	<b>F</b>
Design Code	<b>B</b>	KVA Code	<b>J</b>
Drive End Bearing Size	<b>6206</b>	Opp Drive End Bearing Size	<b>6205</b>
UL	<b>Recognized</b>	CSA	<b>Y</b>
CE	<b>Y</b>	IP Code	<b>22</b>
Number of Speeds	<b>1</b>		

### Technical Specifications

Electrical Type	<b>Squirrel Cage Induction Run</b>	Starting Method	<b>Across The Line</b>
Poles	<b>4</b>	Rotation	<b>Reversible</b>
Resistance Main	<b>2.72 Ohms</b>	Mounting	<b>Rigid Base</b>
Motor Orientation	<b>Horizontal</b>	Drive End Bearing	<b>Ball</b>
Opp Drive End Bearing	<b>Ball</b>	Frame Material	<b>Rolled Steel</b>
Shaft Type	<b>T</b>	Overall Length	<b>14.19 in</b>
Frame Length	<b>10.00 in</b>	Shaft Diameter	<b>1.125 in</b>
Shaft Extension	<b>2.81 in</b>	Assembly/Box Mounting	<b>F1 ONLY</b>
Connection Drawing	<b>005020.02ME</b>	Outline Drawing	<b>035658-1000</b>

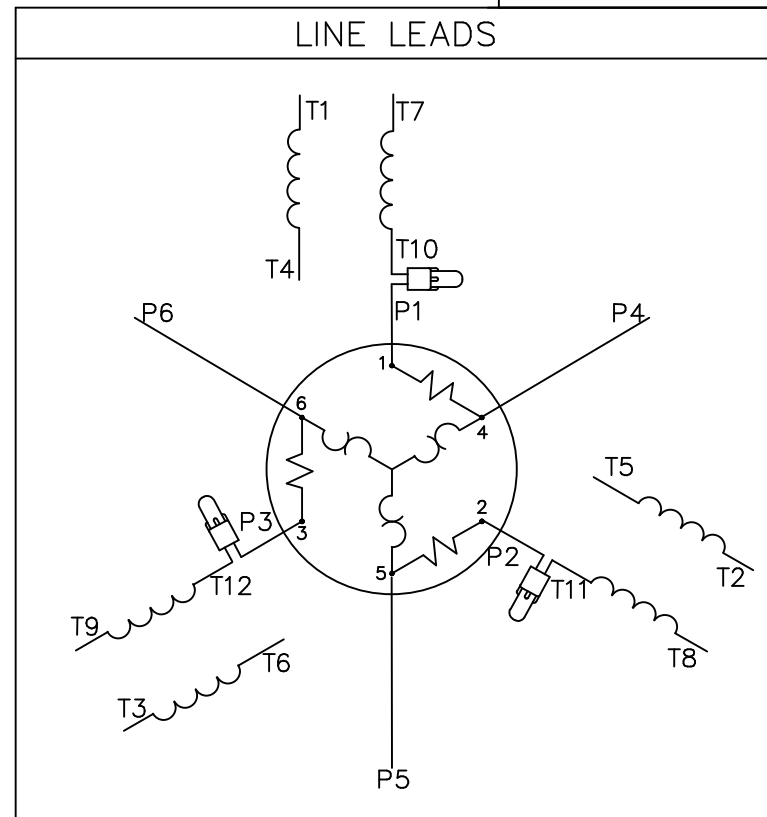
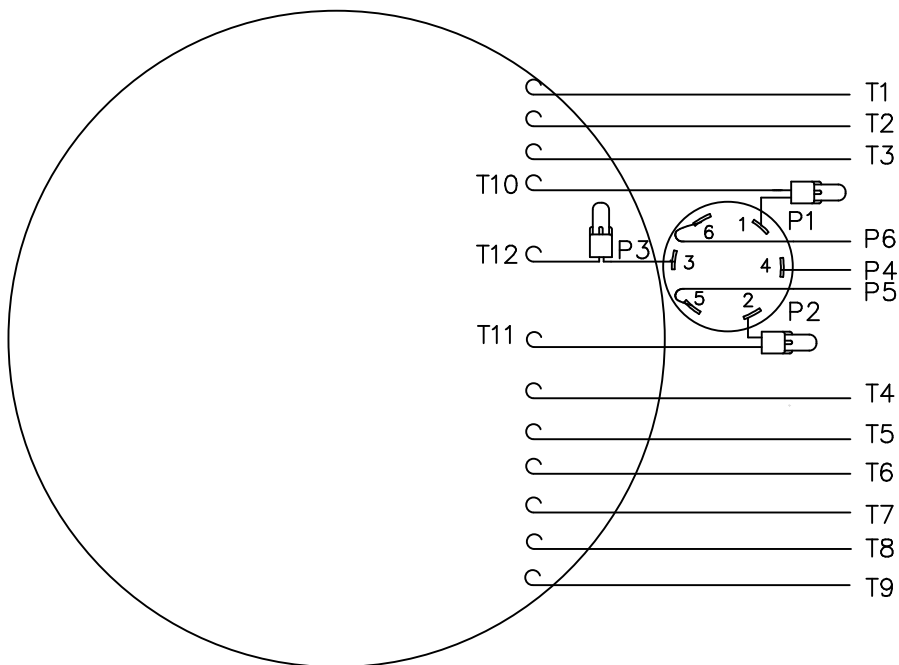


GASKETS THROUGHOUT

DASH NO.	"C"	"AD"
850	12.69	3.87
900	13.19	4.37
950	13.69	4.87
1000	14.19	5.37
1050	14.69	5.87
1100	15.19	6.37
1150	15.69	6.87
1200	16.19	7.37

				TOLERANCES UNLESS SPECIFIED		MARATHON ELECTRIC	DRAWN YS 03/20/08			
				DEC.	INCHES		CHK	APPD		
				.X	±.1					
				.XX	±.03	TITLE	OUTLINE - 180T FRAME			
H	DE & NDE BKT ROTATED TO 45°. AS PER CR-0017346	BBR 1/23/2024		.XXX	±.005		DRIP PROOF - RIGID			
01	AD DIM UPDATED	AK 03/07/2011		.XXXX	±.0005	MAT'L	SCALE	1=2		
NO.	REVISION	BY & DATE	CHK	ANG	±1/2"	FINISH	REF	035621		
THIS DRAWING IN DESIGN AND DETAIL IS OUR PROPERTY AND MUST NOT BE USED EXCEPT IN CONNECTION WITH OUR WORK ALL RIGHTS OF DESIGN AND INVENTION ARE RESERVED THIS IS AN ELECTRONICALLY GENERATED DOCUMENT - DO NOT SCALE THIS PRINT				RFP		CAD FILE	035658	SIZE	DRAWING NO.	REV.
				DIST	NLV		B	035658	H	

VIEW FROM OUTSIDE OF MOTOR AT SWITCH END.



VOLTAGE	L1	L2	L3	JOIN	SEPARATE
HIGH	T1	T2	T3	(T4, T7) (T5, T8) (T6, T9)	(P4) (P5) (P6)
LOW	T1, T7	T2, T8	T3, T9	(T4, P4) (T5, P5) (T6, P6)	

NO.	REVISION	BY & DATE	CHK	TOLERANCES UNLESS SPECIFIED		FINISH	DRAWN	LST 7/2/08		
				DEC.	INCHES					
				.X	±.1		CHK			
				.XX	±.01		APPD			
				.XXX	±.005	TITLE	SCALE	1=1		
				.XXXX	±.0005	MAT'L.	REF			
					±1/2'	FINISH	FMF			
							PREV			
THIS DRAWING IN DESIGN AND DETAIL IS OUR PROPERTY AND MUST NOT BE USED EXCEPT IN CONNECTION WITH OUR WORK ALL RIGHTS OF DESIGN AND INVENTION ARE RESERVED THIS IS AN ELECTRONICALLY GENERATED DOCUMENT - DO NOT SCALE THIS PRINT			RFP	CAD FILE 00502002ME			SIZE	DRAWING NO.	PAGE OF	REV.
			DIST				A	005020-02ME		



EXTERNAL WIRING DIAGRAM  
TYPE T W/ PROTECTOR  
DECAL - 004023

**CERTIFICATION DATA SHEET**

**Model#:** 184TTDW16038 AA  
**CONN. DIAGRAM:** 005020.02ME  
**OUTLINE:** 035658-1000

**WINDING#:** T84169 DR 7  
**ASSEMBLY:** F1 ONLY

**TYPICAL MOTOR PERFORMANCE DATA**

HP	KW	SYNC. RPM	F.L. RPM	FRAME	ENCLOSURE	KVA CODE	DESIGN
5&4	3.7&2.98	1800	1755&1460	184T	DP	J	B

PH	Hz	VOLTS	FL AMPS	START TYPE	DUTY	INSL	S.F	AMB°C	ELEVATION
3	60/50	230/460#190/ 380	12.6/6.3&12.4/ 6.2	ACROSS THE LINE	CONTINUOU S	F4	1.15/1.15	40	3300

FULL LOAD EFF: 89.5&89.5	3/4 LOAD EFF: 90.7	1/2 LOAD EFF: 90.3	GTD. EFF	ELEC. TYPE	NO LOAD AMPS
FULL LOAD PF: 83&77.5	3/4 LOAD PF: 78.4	1/2 LOAD PF: 68.6	87.5	SQ CAGE IND RUN	5 / 2.5

F.L. TORQUE	LOCKED ROTOR AMPS	L.R. TORQUE	B.D. TORQUE	F.L. RISE°C
14.95 LB-FT	95 / 47.5	30 LB-FT 200	49.3 LB-FT 329	-

SOUND PRESSURE @ 3 FT.	SOUND POWER	ROTOR WK^2	MAX. WK^2	SAFE STALL TIME	STARTS /HOUR	APPROX. MOTOR WGT
0 dBA	10 dBA	0.434 LB-FT^2	0 LB-FT^2	15 SEC.	2	0 LBS.

**\*\*\* SUPPLEMENTAL INFORMATION \*\*\***

DE BRACKET TYPE	ODE BRACKET TYPE	MOUNT TYPE	ORIENTATION	SEVERE DUTY	HAZARDOUS LOCATION	DRIP COVER	SCREENS	PAINT
STANDARD	STANDARD	RIGID	HORIZONTAL	FALSE	NONE	FALSE	NONE	BLUE (ENAMEL)

BEARINGS		GREASE	SHAFT TYPE	SPECIAL DE	SPECIAL ODE	SHAFT MATERIAL	FRAME MATERIAL
DE	OPE						
BALL	BALL	POLYREX EM	T	NONE	NONE	AISI 1045 (C-240)	ROLLED STEEL
6206	6205						

THERMO-PROTECTORS				THERMISTORS	CONTROL	SPACE /n HEATERS
THERMOSTATS	PROTECTORS	WDG RTDs	BRG RTDs			
NONE	AUTOMATIC	NONE	NONE	NONE	FALSE	NONE VOLTS

If Inverter equals NONE, contact factory for further information

\*  
N  
O  
T  
E  
S  
\*

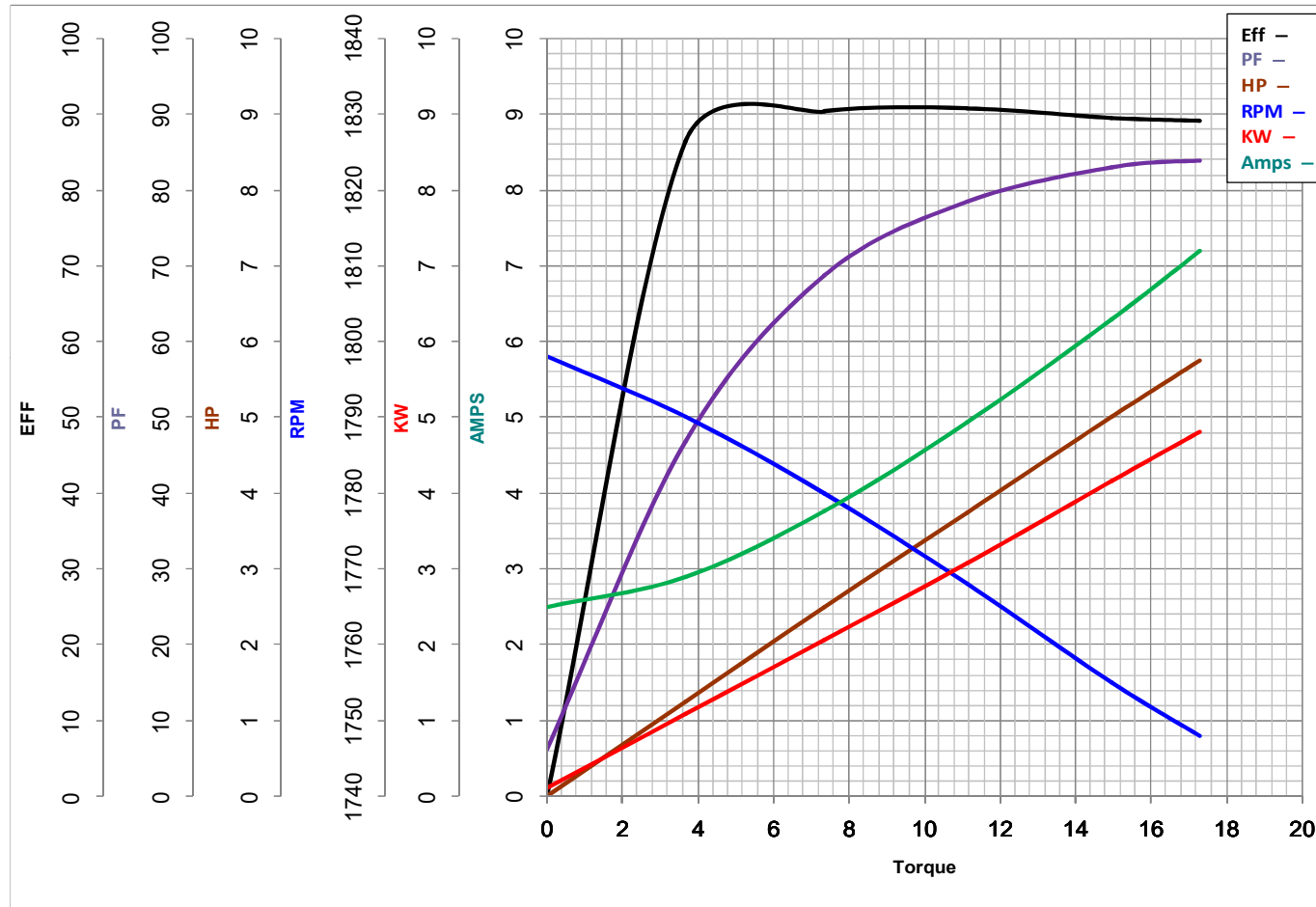
INVERTER TORQUE: NONE
INV. HP SPEED RANGE: NONE
ENCODER: NONE
NONE NONE
NONE NONE PPR
BRAKE: NONE NONE
NONE P/N NONE
NONE NONE
NONE FT-LB NONE V NONE Hz

DATE: 06/28/2017 06:36:15 AM  
 FORM 3531 REV.3 02/07/99  
 \*\* Subject to change without notice.



**MARATHON ELECTRIC CORPORATION**  
TYPICAL PERFORMANCE CURVE for AC MOTOR

Customer \_\_\_\_\_ Curve at 460 Volts HP 5&4 PHASE 3  
 Model No 184TTDW16038 60 HZ 5 HP VOLTS 230/460&190/380  
 Catalog No U428B HZ 60&50 RPM 1755&1460



				Torque in Lb.Ft	
FL TORQUE	<u>14.95</u>	Lb.Ft	FL AMPS	<u>12.6/6.3</u>	
BD TORQUE	<u>49.3</u>	Lb.Ft	PU TORQUE	<u>29.8</u>	Lb.Ft
LR TORQUE	<u>30</u>	Lb.Ft	LR AMPS	<u>47.5</u>	
WINDING	T84169-7		Date	1/10/2019	

## EC Declaration of Conformity

The undersigned representing  
the manufacturer:

Regal Beloit America  
100 East Randolph St.  
Wausau, WI 54401

and the authorized representative  
established within the Community:

Marathon Electric UK  
6F Thistleton Road Ind. Estate  
Market Overton  
Oakham, Rutland LE15 7PP UK

are committed to providing customers with products that comply with applicable regulations and international protocols to which they are subject, including the requirements of the European Parliament Directive on the Harmonization of the laws relating to electrical equipment designed for use within certain voltage limits (2014/35/EU).

Regal Beloit America declares that the following product(s), to which this declaration relates, are in conformity with the relevant sections of the EC standards listed below.

This statement supersedes any statements previously issued pertaining to the product(s) listed below and is subject to change without notice.

Model No : 184TTDW16038

(Model No. may contain prefix and/or suffix characters)

Catalog No : U428B

Rework No : N/A

Directives :

Low Voltage Directive 2014/35/EU

Harmonized Standards Used :

EN 60034-1: 2010 (IEC 60034-1: 2010)

EN 60034-5: 2001/A1:2007 (IEC 60034-5: 2000/A1:2006)

Authorized Representative:



Michael A. Logsdon  
Vice President, Technology

Authorized Representative in the Community:



Julian Clark  
Marketing Engineer

Created on 09/01/2022

**CE 22**