

PRODUCT INFORMATION PACKET

marathon[®]
Motors

Model No: 184TTDR7604

Catalog No: M116

Close-Coupled Pump Motor, 7.50 & 5 HP, 3 Ph, 60 & 50 Hz, 208-230/460 & 190/380 V, 3600 & 3000 RPM,
184JP Frame, DP

Regal and Marathon are trademarks of Regal Rexnord Corporation or one of its affiliated companies.

©2023 Regal Rexnord Corporation, All Rights Reserved. MC017097E

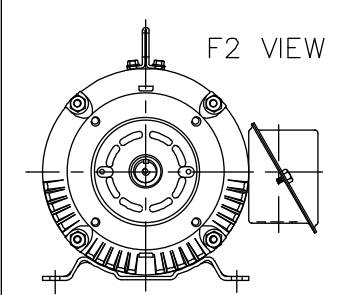
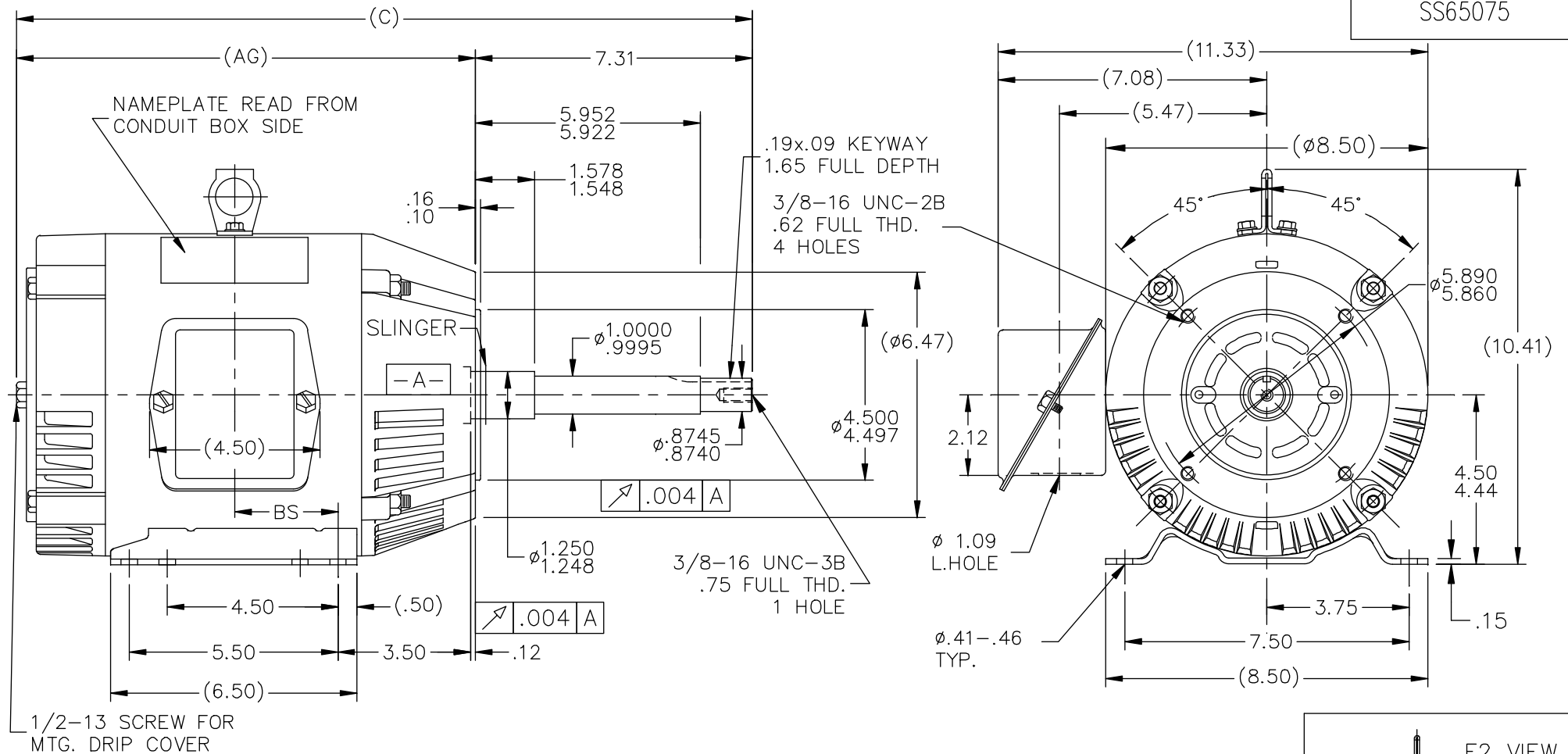
RegalRexnord

Nameplate Specifications

Phase	3	Output HP	7.50 & 5 Hp
Output KW	5.6 & 3.7 kW	Voltage	208-230/460 & 190/380 V
Speed	3470 & 2915 rpm	Service Factor	1.15 & 1.0
Frame	184JP	Enclosure	Drip Proof
Thermal Protection	No Protection	Efficiency	84 & 86 %
Ambient Temperature	40 °C	Frequency	60 & 50 Hz
Current	21-19.4/9.7 & 16/8 A	Power Factor	85.8
Duty	Continuous	Insulation Class	B
Design Code	B	KVA Code	H
Drive End Bearing Size	6307	Opp Drive End Bearing Size	6205
UL	Recognized	CSA	Y
CE	Y	IP Code	22
Number of Speeds	1		

Technical Specifications

Electrical Type	Squirrel Cage Induction Run	Starting Method	Across The Line
Poles	2	Rotation	Reversible
Resistance Main	2.6 Ohms	Mounting	Rigid Base
Motor Orientation	Horizontal	Drive End Bearing	Ball
Opp Drive End Bearing	Ball	Frame Material	Rolled Steel
Shaft Type	JP	Overall Length	19.41 in
Frame Length	6.75 in	Shaft Diameter	0.875 in
Shaft Extension	7.34 in	Assembly/Box Mounting	F1/F2 CAPABLE
Outline Drawing	A-SS65075-675	Connection Drawing	A-EE7308



BOX CAN BE ROTATED IN 90° STEPS.
 BOX CAN BE MOUNTED ON OPPOSITE
 SIDE BY REMOVING BRACKETS AND
 TURNING FRAME 180°.

DASH	FR.	C	AG	BS	MOUNTING
575	182T	18.41	11.10	2.25	F1 OR F2
675	182/4T	19.41	12.10	2.75	F1 OR F2
725	182/4T	19.91	12.60	3.00	F1 ONLY
775	182/4T	20.41	13.10	3.25	F1 ONLY

			TOLERANCES UNLESS SPECIFIED		MARATHON ELECTRIC	DRAWN DJK 12-16-1992			
			DEC.	INCHES		CHK	ML	APPD	SCALE
16	UPDATED DRAWING	RJW 04-20-2007			TITLE OUTLINE 180T FR.-DR.PR.-C' FACE				1=4
15	REDRAWN IN AUTOCAD	TAT 07-13-2004	ML	.X ±.1					
14	ADDED LIFT LUG	CN 34025 NJS 07-23-2001		.XX ±.03					
13	REVISED MOUNTING	CN 27400-320 CAE 11-03-1999		.XXX ±.005					
12	ADDED MOUNTING TYPE	CN 27451 DRS 04-29-1999		.XXXX ±.0005					
NO.	REVISION	BY & DATE	CHK	ANG ±7'30"	FINISH				
THIS DRAWING IN DESIGN AND DETAIL IS OUR PROPERTY AND MUST NOT BE USED EXCEPT IN CONNECTION WITH OUR WORK ALL RIGHTS OF DESIGN AND INVENTION ARE RESERVED THIS IS AN ELECTRONICALLY GENERATED DOCUMENT - DO NOT SCALE THIS PRINT			RFP		CAD FILE ss65075	SIZE	DRAWING NO.	PAGE OF	REV.
			DIST LB			A	SS65075		16

EE7308

THREE PHASE
DUAL VOLTAGE MOTOR



VIEW OF TERMINAL END

REF.
WINDING DIAGRAM

T8Y, T2Y, T2BL, T4BX, T2EC, T2G
T6BZ, T2B, T6BL, T4AV, T6B, T4B

OPTIONAL CORD
CONNECTION

L1 — WHITE
L2 — RED
L3 — BLACK

NO.	REVISION	BY & DATE	CHK	ANG	TOLERANCES UNLESS SPECIFIED		FINISH	DRAWING NO.	PAGE	OF	REV.
					DEC.	INCHES					
5	CHG TO REGAL LOGO	SL 09/10/2015	AB					EE7308			
4	REVISED IEC NOTATIONS	MSG 11/15/2011	CMN	.X	±.1						
3	ADDED IEC NOTATIONS... (U1), (V1) ETC. MU95194	MSG 5/10/2010	MJS	.XX	±.02						
2	ADDED THE OPTIONAL CORD CONNECTION MU46318	RDH 04/24/2003	DRS	.XXX	±.005						
1	REDRAWN	RM 11/20/1990		.XXXX	±.0005						
					±7'30"						
THIS DRAWING IN DESIGN AND DETAIL IS OUR PROPERTY AND MUST NOT BE USED EXCEPT IN CONNECTION WITH OUR WORK ALL RIGHTS OF DESIGN AND INVENTION ARE RESERVED THIS IS AN ELECTRONICALLY GENERATED DOCUMENT - DO NOT SCALE THIS PRINT							RFP	CAD FILE ee7308	SIZE A	DRAWING NO. EE7308	PAGE 5
							DIST WP				

REGAL™ Regal Beloit America, Inc. DRAWN RM 11/20/1990
CHK ML 11/21/1990
APPD SAS 04/24/2003

TITLE CONNECTION DIAGRAM
3Ø - DUAL VOLTAGE MOTOR
SCALE 1=1
REF
FMF
PREV