

PRODUCT INFORMATION PACKET

Model No: 184TTDR7230

Catalog No: Y468

Other Purpose Motor, 3 & 0.75 HP, 3 Ph, 60 & 60 Hz, 460 & 460 V, 1800 & 1800 RPM, 184T Frame, DP



Regal and Marathon are trademarks of Regal Rexnord Corporation or one of its affiliated companies.

©2023 Regal Rexnord Corporation, All Rights Reserved. MC017097E

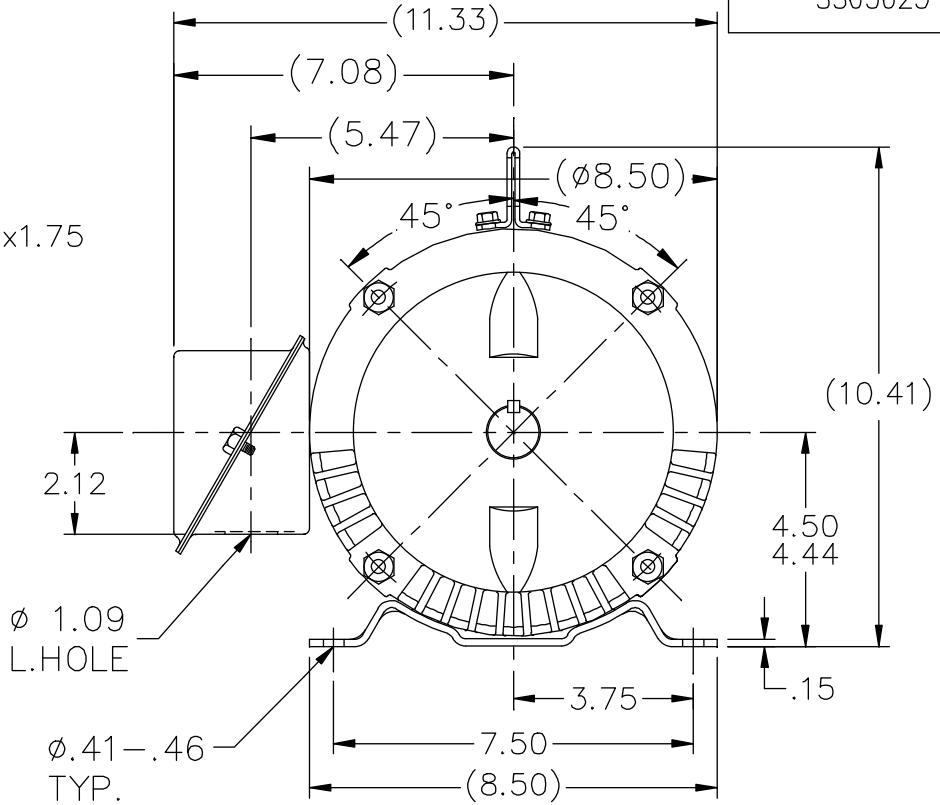
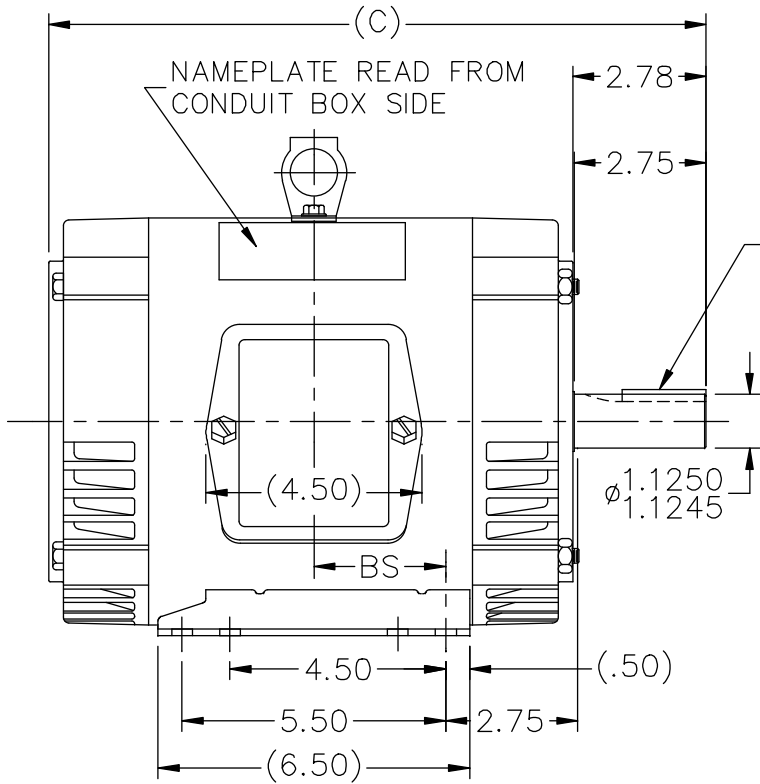
Nameplate Specifications

Phase	3	Output HP	3 & 0.75 Hp
Output KW	2.2 & 0.56 kW	Voltage	460 & 460 V
Speed	1755 & 870 rpm	Service Factor	1.15 & 1.15
Frame	184T	Enclosure	Drip Proof
Thermal Protection	No Protection	Efficiency	82.5 & 62 %
Ambient Temperature	40 °C	Frequency	60 & 60 Hz
Current	4.3 & 1.8 A	Power Factor	73.4
Duty	Continuous	Insulation Class	B
Design Code	2VT	KVA Code	K
Drive End Bearing Size	6206	Opp Drive End Bearing Size	6203
UL	Recognized	CSA	Y
CE	Y	IP Code	22
Number of Speeds	2		

Technical Specifications

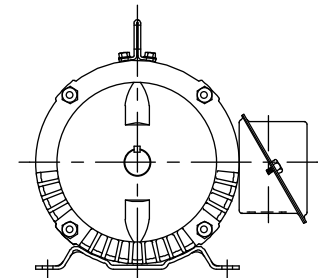
Electrical Type	Squirrel Cage Induction Run	Starting Method	Across The Line
Poles	4//8	Rotation	Reversible
Resistance Main	6.67 Ohms	Mounting	Rigid Base
Motor Orientation	Horizontal	Drive End Bearing	Ball
Opp Drive End Bearing	Ball	Frame Material	Rolled Steel
Shaft Type	T	Overall Length	13.72 in
Frame Length	6.75 in	Shaft Diameter	1.125 in
Shaft Extension	2.75 in	Assembly/Box Mounting	F1/F2 CAPABLE
Outline Drawing	A-SS65625-675	Connection Drawing	A-EE7317

SS65625



BOX CAN BE ROTATED IN 90° STEPS.

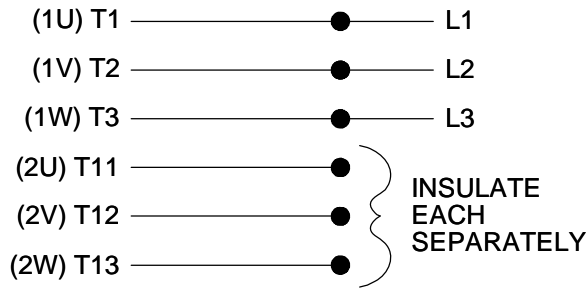
DASH	FR.	C	BS	MOUNTING	DASH	FR.	C	BS	MOUNTING
575	182T	12.72	2.25	F1 OR F2	775	182T	14.72	3.25	F1 ONLY
625	182T	13.22	2.50	F1 OR F2	775	184T	14.72	3.25	F1 ONLY
675	182T	13.72	2.75	F1 OR F2	825	184T	15.22	3.50	F1 ONLY
675	184T	13.72	2.75	F1 OR F2	875	184T	15.72	3.75	F1 ONLY
725	182T	14.22	3.00	F1 ONLY	925	184T	16.22	4.00	F1 ONLY
725	184T	14.22	3.00	F1 ONLY					



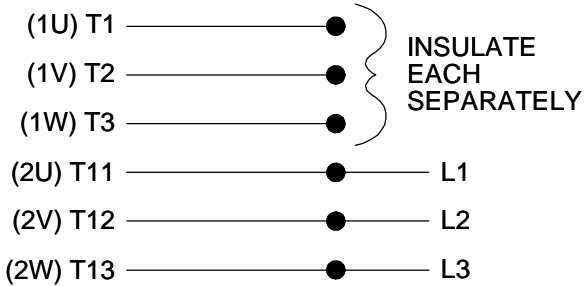
F2 VIEW (WHEN APPLICABLE)

NO.	REVISION	BY & DATE	CHK	ANG	±'30"	TOLERANCES UNLESS SPECIFIED		MARATHON ELECTRIC	DRAWN ML 12-28-1987
						DEC.	INCHES		
14	UPDATED DRAWING	RJW 04-20-2007							CHK GK 12-28-1987
13	REDRAWN IN AUTOCAD	TAT 06-29-2004	ML	.X	±.1				APPD FG 12-28-1987
12	ADDED LIFT LUG	CN 34025 DRS 07-06-2001		.XX	±.03			TITLE OUTLINE	SCALE 1=4
11	ADDED MOUNTING TYPE	CN 27451 DRS 02-17-2000		.XXX	±.005			180T FR. - BB - TS - DR. PR.	REF
10	CORRECTED DASH 725 & 775	CN 21725-50 BLR 01-15-1996		.XXXX	±.0005			MAT'L.	FMF
								FINISH	PREV
			RFP					CAD FILE ss65625	SIZE A
			DIST LB						DRAWING NO. SS65625
									PAGE 4 OF 14
									REV. 14

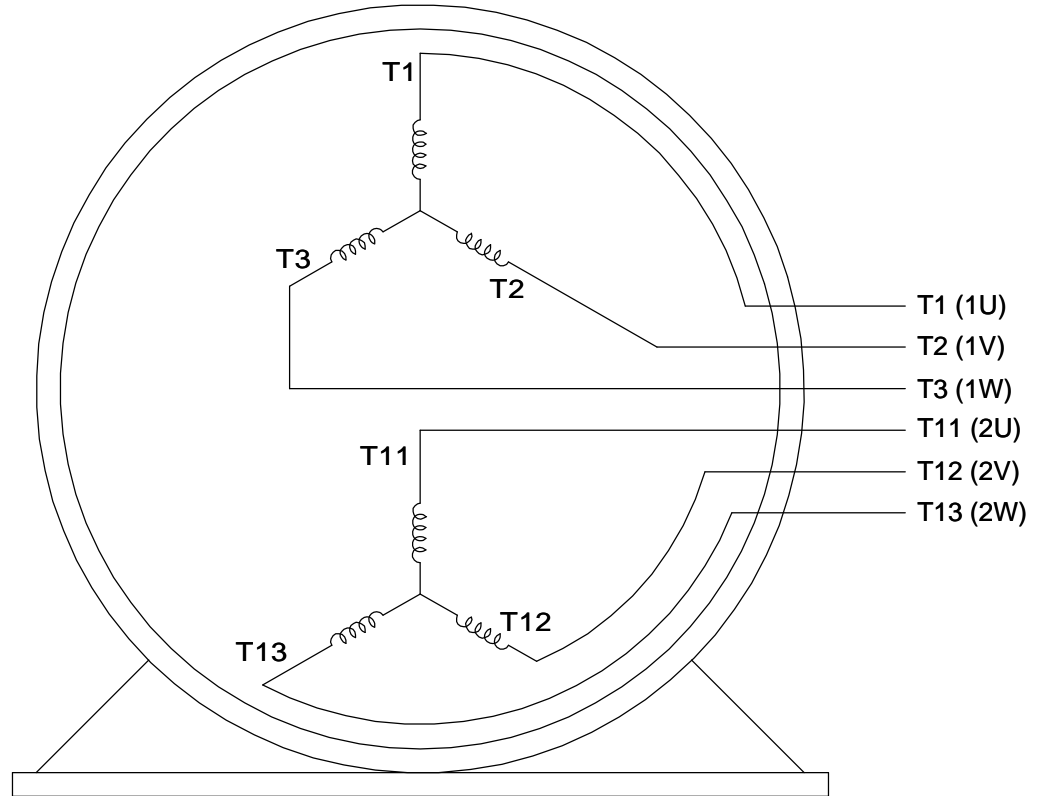
LOW SPEED



HIGHSPEED



**THREE PHASE, SINGLE VOLT, 6 LEAD
2 SPEED REVERSIBLE MOTOR**



VIEW OF TERMINAL END

TO REVERSE ROTATION ON
EITHER SPEED: INTERCHANGE
ANY 2 LEADS ON THE
WINDING IN USE.

DRAWING REVISION C	REVISION BY JJB	DATE 10-25-2017		DRAWN BY LZ	Regal Beloit America, Inc.
ECO ECO-0132917	APPROVED BY TLB	DATE 10-30-2017		DATE 01-05-1994	
ECO DESCRIPTION REVISED PER ECO & UPDATED TO STANDARDS				APPROVED BY GK	DESCRIPTION CONN DIAGRAM-INTERNAL
<small>COPYRIGHT REGAL BELOIT AMERICA, INC. ALL RIGHTS RESERVED. PROPRIETARY AND CONFIDENTIAL INFORMATION - THIS DOCUMENT IS THE PROPERTY OF REGAL BELOIT AMERICA, INC. ("OWNER") AND CONTAINS OWNER'S PROPRIETARY INFORMATION. ANY PERSON, CORPORATION OR OTHER FIRM RECEIVING IT IS DEEMED, BY RECEIVING IT, TO AGREE THAT IT, AND/OR ANY PART OF IT, SHALL NOT BE DISCLOSED TO ANY PERSON, CORPORATION OR OTHER ENTITY, DUPLICATED, AND/OR USED, EXCEPT AS EXPRESSLY APPROVED IN WRITING IN ADVANCE BY OWNER. THIS DOCUMENT SHALL BE RETURNED TO OWNER UPON REQUEST. IT MAY BE SUBJECT TO CERTAIN RESTRICTIONS UNDER APPLICABLE EXPORT CONTROL LAWS AND REGULATIONS.</small>				DATE 01-17-1994	3 PHASE - SINGLE - 2 SPEED REVERSIBLE
			REFERENCE	MATERIAL	PROCESS/FINISH
			THIRD ANGLE PROJECTION	SIZE A	DRAWING NUMBER EE7317