

# PRODUCT INFORMATION PACKET

Model No: 184TTDR7215

Catalog No: Y412

Other Purpose Motor, 3,1.33 HP, 3 Ph, 60 Hz, 460 V, 1800 RPM, 184T Frame, DP

Regal and are trademarks of Regal Rexnord Corporation or one of its affiliated companies.  
©2022 Regal Rexnord Corporation, All Rights Reserved. MC017097E



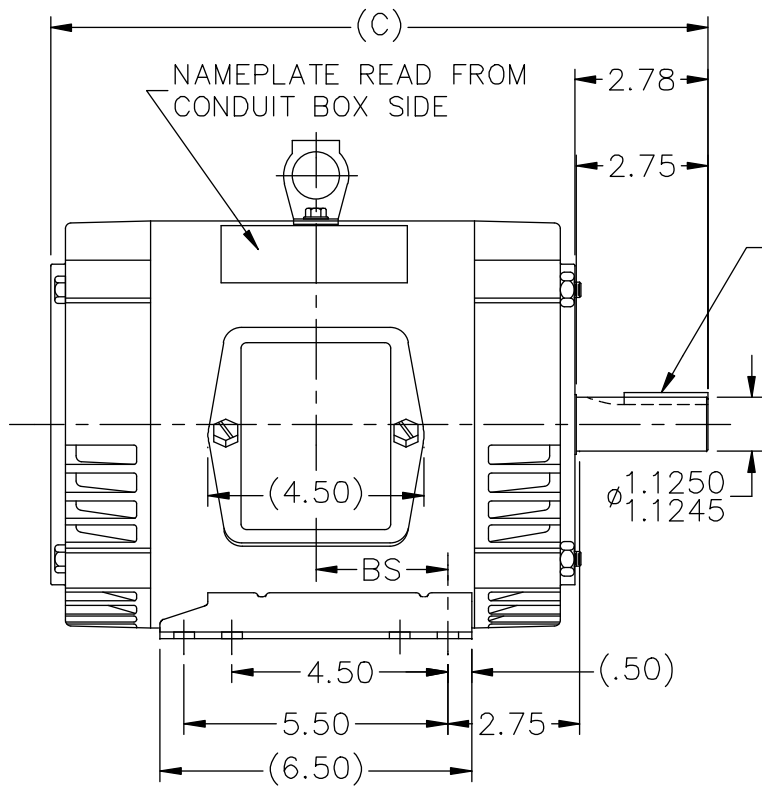
### Nameplate Specifications

Output HP	<b>3,1.33 Hp</b>	Output KW	<b>2.2 kW</b>
Frequency	<b>60 Hz</b>	Voltage	<b>460 V</b>
Current	<b>4.6,2.7 A</b>	Speed	<b>1760,1175 rpm</b>
Service Factor	<b>1.15</b>	Phase	<b>3</b>
Efficiency	<b>82.5 %</b>	Power Factor	<b>75.4</b>
Duty	<b>Continuous</b>	Insulation Class	<b>B</b>
Design Code	<b>2VT</b>	KVA Code	<b>K</b>
Frame	<b>184T</b>	Enclosure	<b>Drip Proof</b>
Thermal Protection	<b>No Protection</b>	Ambient Temperature	<b>40 °C</b>
Drive End Bearing Size	<b>6206</b>	Opp Drive End Bearing Size	<b>6203</b>
UL	<b>Recognized</b>	CSA	<b>Y</b>
CE	<b>Y</b>	IP Code	<b>22</b>
Number of Speeds	<b>2</b>		

### Technical Specifications

Electrical Type	<b>Squirrel Cage Induction Run</b>	Starting Method	<b>Across The Line</b>
Poles	<b>4//6</b>	Rotation	<b>Reversible</b>
Resistance Main	<b>6.32 Ohms</b>	Mounting	<b>Rigid Base</b>
Motor Orientation	<b>Horizontal</b>	Drive End Bearing	<b>Ball</b>
Opp Drive End Bearing	<b>Ball</b>	Frame Material	<b>Rolled Steel</b>
Shaft Type	<b>T</b>	Overall Length	<b>13.72 in</b>
Frame Length	<b>6.75 in</b>	Shaft Diameter	<b>1.125 in</b>
Shaft Extension	<b>2.75 in</b>	Assembly/Box Mounting	<b>F1/F2 CAPABLE</b>
Outline Drawing	<b>A-SS65625-675</b>	Connection Drawing	<b>A-EE7317</b>

This is an uncontrolled document once printed or downloaded and is subject to change without notice. Date Created:09/07/2022

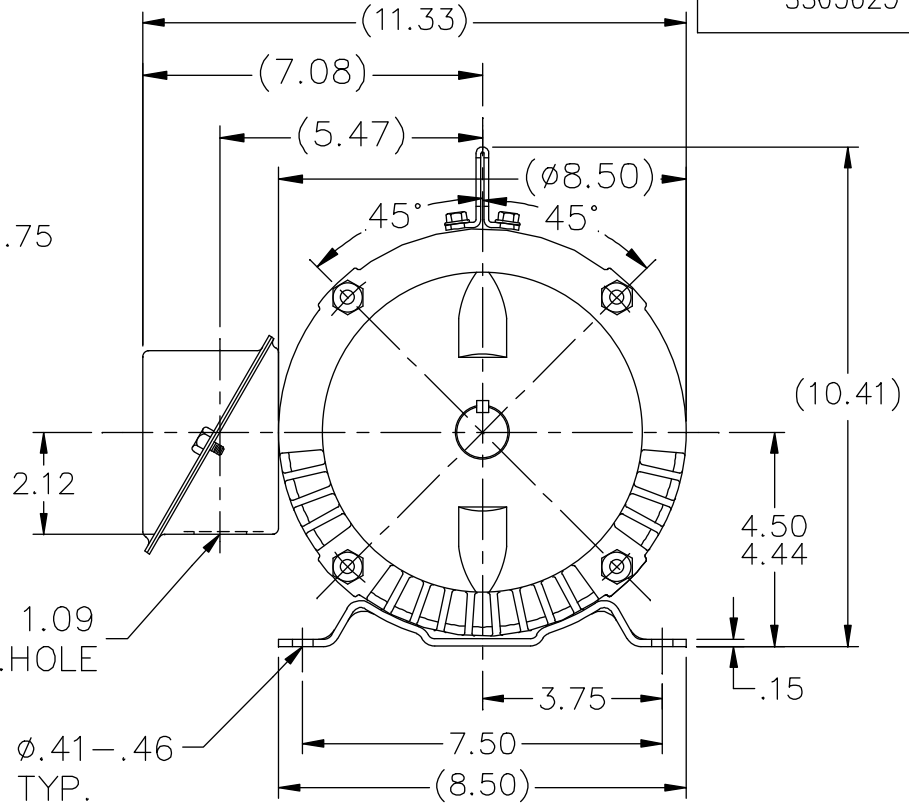


.25x.25x1.75 KEY

ø 1.1250  
ø 1.1245

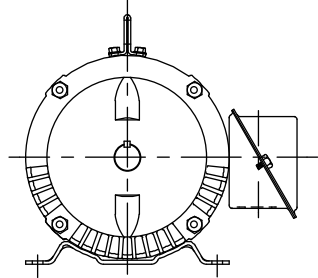
ø 1.09 L.HOLE

ø .41-.46 TYP.



BOX CAN BE ROTATED IN 90° STEPS.

DASH	FR.	C	BS	MOUNTING	DASH	FR.	C	BS	MOUNTING
575	182T	12.72	2.25	F1 OR F2	775	182T	14.72	3.25	F1 ONLY
625	182T	13.22	2.50	F1 OR F2	775	184T	14.72	3.25	F1 ONLY
675	182T	13.72	2.75	F1 OR F2	825	184T	15.22	3.50	F1 ONLY
675	184T	13.72	2.75	F1 OR F2	875	184T	15.72	3.75	F1 ONLY
725	182T	14.22	3.00	F1 ONLY	925	184T	16.22	4.00	F1 ONLY
725	184T	14.22	3.00	F1 ONLY					



F2 VIEW (WHEN APPLICABLE)

NO.		REVISION		BY & DATE		CHK	ANG	±'30"	FINISH	DRAWING NO. PAGE OF		REV.
14	UPDATED DRAWING		R JW 04-20-2007							SS65625		
13	REDRAWN IN AUTOCAD		TAT 06-29-2004		ML	.X	±.1			A		14
12	ADDED LIFT LUG		CN 34025 DRS 07-06-2001			.XX	±.03			SS65625		
11	ADDED MOUNTING TYPE		CN 27451 DRS 02-17-2000			.XXX	±.005			SS65625		
10	CORRECTED DASH 725 & 775		CN 21725-50 BLR 01-15-1996			.XXXX	±.0005			SS65625		
NO.		REVISION		BY & DATE		CHK	ANG	±'30"	FINISH	DRAWING NO. PAGE OF		REV.
						RFP			CAD FILE	SS65625		
						DIST	LB			A		14

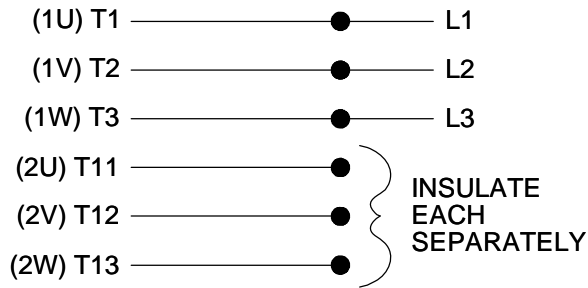


TITLE OUTLINE  
180T FR. - BB - TS - DR. PR.

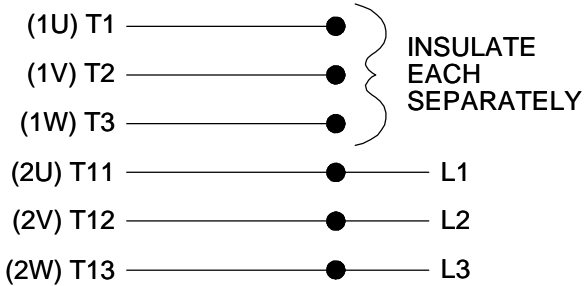
DRAWN ML 12-28-1987  
CHK GK 12-28-1987  
APPD FG 12-28-1987  
SCALE 1=4  
REF  
FMF  
PREV

THIS DRAWING IN DESIGN AND DETAIL IS OUR PROPERTY AND MUST NOT BE USED EXCEPT IN CONNECTION WITH OUR WORK ALL RIGHTS OF DESIGN AND INVENTION ARE RESERVED THIS IS AN ELECTRONICALLY GENERATED DOCUMENT - DO NOT SCALE THIS PRINT

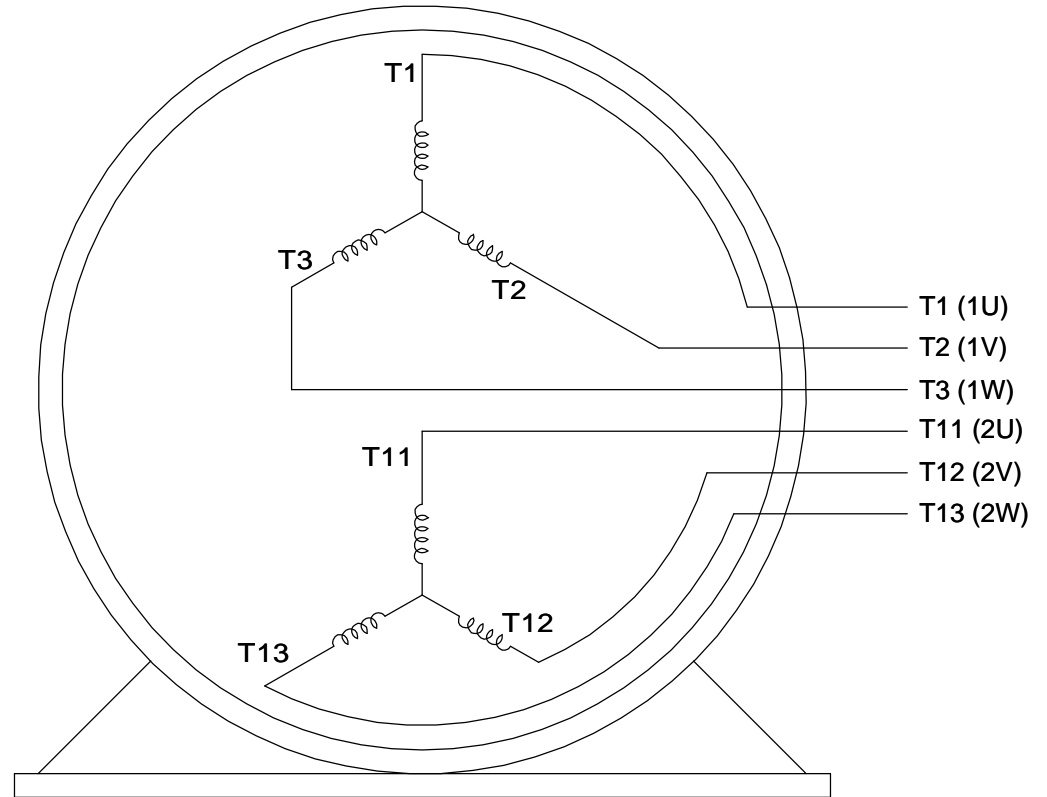
LOW SPEED



HIGHSPEED



**THREE PHASE, SINGLE VOLT, 6 LEAD  
2 SPEED REVERSIBLE MOTOR**



VIEW OF TERMINAL END

TO REVERSE ROTATION ON  
EITHER SPEED: INTERCHANGE  
ANY 2 LEADS ON THE  
WINDING IN USE.

DRAWING REVISION <b>C</b>	REVISION BY <b>JJB</b>	DATE <b>10-25-2017</b>		DRAWN BY <b>LZ</b>	<b>Regal Beloit America, Inc.</b>	
ECO <b>ECO-0132917</b>	APPROVED BY <b>TLB</b>	DATE <b>10-30-2017</b>		DATE <b>01-05-1994</b>		
ECO DESCRIPTION <b>REVISED PER ECO &amp; UPDATED TO STANDARDS</b>				APPROVED BY <b>GK</b>	DESCRIPTION <b>CONN DIAGRAM-INTERNAL</b>	
<small>COPYRIGHT REGAL BELOIT AMERICA, INC. ALL RIGHTS RESERVED. PROPRIETARY AND CONFIDENTIAL INFORMATION - THIS DOCUMENT IS THE PROPERTY OF REGAL BELOIT AMERICA, INC. ("OWNER") AND CONTAINS OWNER'S PROPRIETARY INFORMATION. ANY PERSON, CORPORATION OR OTHER FIRM RECEIVING IT IS DEEMED, BY RECEIVING IT, TO AGREE THAT IT, AND/OR ANY PART OF IT, SHALL NOT BE DISCLOSED TO ANY PERSON, CORPORATION OR OTHER ENTITY, DUPLICATED, AND/OR USED, EXCEPT AS EXPRESSLY APPROVED IN WRITING IN ADVANCE BY OWNER. THIS DOCUMENT SHALL BE RETURNED TO OWNER UPON REQUEST. IT MAY BE SUBJECT TO CERTAIN RESTRICTIONS UNDER APPLICABLE EXPORT CONTROL LAWS AND REGULATIONS.</small>				DATE <b>01-17-1994</b>	<b>3 PHASE - SINGLE - 2 SPEED REVERSIBLE</b>	
			REFERENCE	MATERIAL	PROCESS/FINISH	
			THIRD ANGLE PROJECTION	SIZE <b>A</b>	DRAWING NUMBER <b>EE7317</b>	SHEET <b>1 OF 1</b>