

# PRODUCT INFORMATION PACKET

**marathon**<sup>®</sup>  
Motors

Model No: 184TTDR4121

Catalog No: E161

7.50 HP Close-Coupled Pump Motor, 3 phase, 3600 RPM, 575 V, 184JM Frame, ODP  
Close-Coupled Pump Motors

Regal and Marathon are trademarks of Regal Rexnord Corporation or one of its affiliated companies.  
©2021 Regal Rexnord Corporation, All Rights Reserved. MC017097E

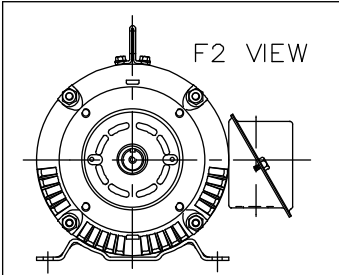
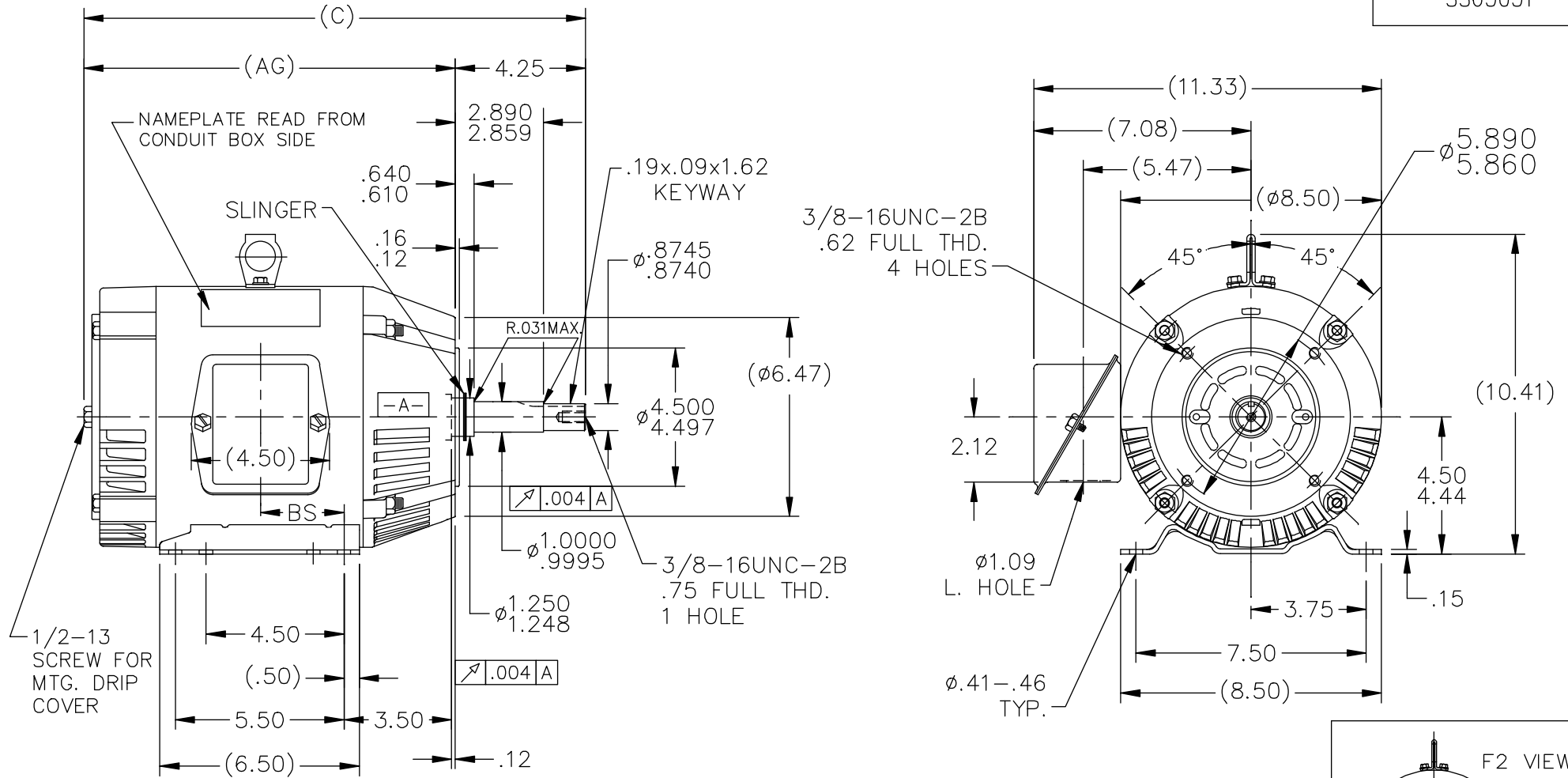
**RegalRexnord**

### Nameplate Specifications

Output HP	<b>7.50 Hp</b>	Output KW	<b>5.6 kW</b>
Frequency	<b>60 Hz</b>	Voltage	<b>575 V</b>
Current	<b>7.0 A</b>	Speed	<b>3460 rpm</b>
Service Factor	<b>1.15</b>	Phase	<b>3</b>
Efficiency	<b>87.5 %</b>	Power Factor	<b>90.5</b>
Duty	<b>Continuous</b>	Insulation Class	<b>B</b>
Design Code	<b>B</b>	KVA Code	<b>H</b>
Frame	<b>184JM</b>	Enclosure	<b>Drip Proof</b>
Thermal Protection	<b>No</b>	Ambient Temperature	<b>40 °C</b>
Drive End Bearing Size	<b>6307</b>	Opp Drive End Bearing Size	<b>6205</b>
UL	<b>Recognized</b>	CSA	<b>Y</b>
CE	<b>Y</b>	IP Code	<b>22</b>
Number of Speeds	<b>1</b>		

### Technical Specifications

Electrical Type	<b>Squirrel Cage Induction Run</b>	Starting Method	<b>Across The Line</b>
Poles	<b>2</b>	Rotation	<b>Reversible</b>
Resistance Main	<b>1.86 Ohms</b>	Mounting	<b>Rigid Base</b>
Motor Orientation	<b>Horizontal</b>	Drive End Bearing	<b>Ball</b>
Opp Drive End Bearing	<b>Ball</b>	Frame Material	<b>Rolled Steel</b>
Shaft Type	<b>JM</b>	Overall Length	<b>17.35 in</b>
Frame Length	<b>7.75 in</b>	Shaft Diameter	<b>0.875 in</b>
Shaft Extension	<b>4.28 in</b>	Assembly/Box Mounting	<b>F1/F2 Capable</b>
Connection Drawing	<b>A-EE7300</b>	Outline Drawing	<b>A-SS65051-775</b>



BOX CAN BE ROTATED IN 90° STEPS.  
BOX CAN BE MOUNTED ON OPPOSITE  
SIDE BY REMOVING BRACKETS AND  
TURNING FRAME 180°.

DASH	FR.	C	AG	BS	MOUNTING
575	182JM	15.35	11.10	2.25	F1 OR F2
675	182/84JM	16.35	12.10	2.75	F1 OR F2
775	182/84JM	17.35	13.10	3.25	F1 ONLY

NO.	REVISION	BY & DATE	CHK	ANG	TOLERANCES UNLESS SPECIFIED
18	UPDATED DRAWING	RJW 04-20-2007			
17	-675 & 775 NOW 182/84JM FRAMES CN 31857	DRS 11-01-2002	ML	DEC.	INCHES
16	ADDED FORMED LIFT LUG CN 34025	HLB 06-29-2001		.X	±.1
15	ADDED MOUNTING TYPE CN 27451	DRS 04-29-1999		.XX	±.03
14	REMOVED EYEBOLT	BLR 11-09-1995		.XXX	±.005
13	ADDED NEW BASE CN 14442	RM 06-24-1994		.XXXX	±.0005
					±7'30"

	TITLE	OUTLINE	DRAWN	DJK 12-15-1992
	180T FR. - BB - TS - DR.PR. - C'FACE	MAT'L.	CHK	ML 12-16-1992
FINISH		APPD	GK 12-16-1992	
		SCALE	1=5	
		REF		
		FMF		
		PREV		

THIS DRAWING IN DESIGN AND DETAIL IS OUR PROPERTY AND MUST NOT BE USED EXCEPT  
IN CONNECTION WITH OUR WORK ALL RIGHTS OF DESIGN AND INVENTION ARE RESERVED  
THIS IS AN ELECTRONICALLY GENERATED DOCUMENT - DO NOT SCALE THIS PRINT

RFP	CAD FILE	ss65051	SIZE	DRAWING NO.	PAGE	OF	REV.
DIST	LB		A	SS65051			18

**THREE PHASE - SINGLE VOLTAGE  
MOTOR - CONDUIT BOX @ 'A'**

**TO REVERSE ROTATION:  
INTERCHANGE ANY TWO  
LINE LEAD CONNECTIONS.**

**TERMINAL BLOCK WHEN SPECIFIED**



**VIEW OF TERMINAL END**

**IF MOTOR HAS  
6 LEADS**



A-9806 DECAL

**OPTIONAL CORD  
CONNECTION**



DRAWING REVISION AB	REVISION BY JJB	DATE 06-27-2017
ECO ECO-0125361	APPROVED BY TB	DATE 06-27-2017
ECO DESCRIPTION <b>UPDATED TO CURRENT STANDARDS</b>		
<small>COPYRIGHT REGAL BELOIT AMERICA, INC. ALL RIGHTS RESERVED.                  PROPRIETARY AND CONFIDENTIAL INFORMATION - THIS DOCUMENT IS THE PROPERTY OF                  REGAL BELOIT AMERICA, INC. ("OWNER") AND CONTAINS OWNER'S PROPRIETARY                  INFORMATION. ANY PERSON, CORPORATION OR OTHER FIRM RECEIVING IT IS DEEMED,                  BY RECEIVING IT, TO AGREE THAT IT, AND/OR ANY PART OF IT, SHALL NOT BE DISCLOSED                  TO ANY PERSON, CORPORATION OR OTHER ENTITY, DUPLICATED, AND/OR USED, EXCEPT                  AS EXPRESSLY APPROVED IN WRITING IN ADVANCE BY OWNER. THIS DOCUMENT SHALL                  BE RETURNED TO OWNER UPON REQUEST. IT MAY BE SUBJECT TO CERTAIN                  RESTRICTIONS UNDER APPLICABLE EXPORT CONTROL LAWS AND REGULATIONS.</small>		



DRAWN BY DA
DATE 03-26-1993
APPROVED BY TB
DATE 03-26-1993
REFERENCE
THIRD ANGLE PROJECTION

Regal Beloit America, Inc.	
DESCRIPTION <b>CONNECTION DIAGRAM</b> EXTERNAL - SINGLE VOLTAGE - 3Ø MOTOR	
MATERIAL	PROCESS/FINISH
SIZE <b>A</b>	DRAWING NUMBER <b>EE7300</b>
SHEET <b>1 OF 1</b>	