

PRODUCT INFORMATION PACKET

marathon[®]
Motors

Model No: 184TTDR4105

Catalog No: E938

7.50 HP General Purpose Motor, 3 phase, 3600 RPM, 575 V, 184T Frame, ODP
General Purpose Motors

Regal and Marathon are trademarks of Regal Rexnord Corporation or one of its affiliated companies.
©2021 Regal Rexnord Corporation, All Rights Reserved. MC017097E

The logo for Regal Rexnord, featuring a stylized 'R' icon followed by the text 'RegalRexnord'.



Nameplate Specifications

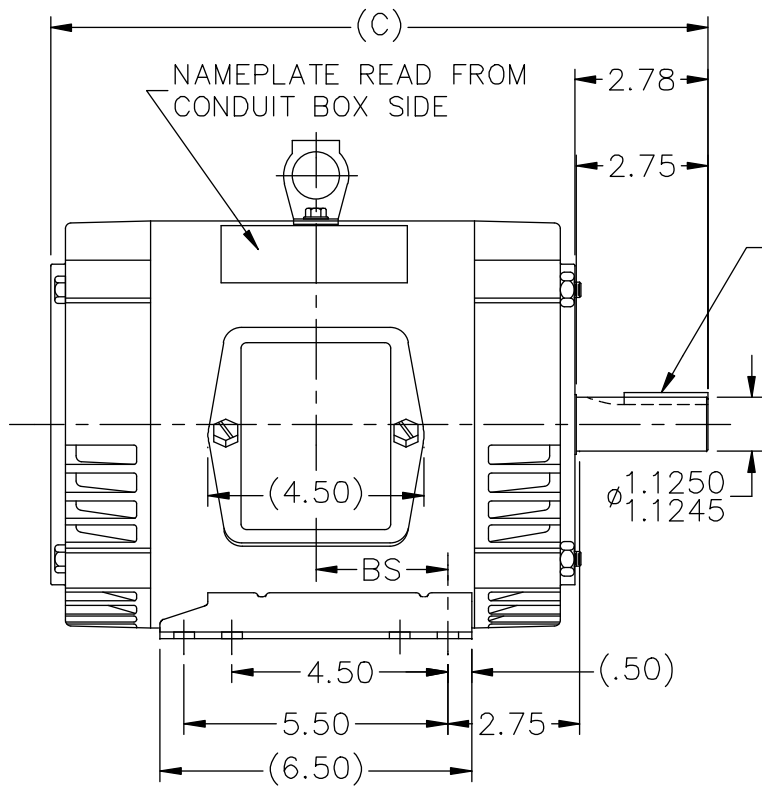
| | | | |
|------------------------|-------------------|----------------------------|-------------------|
| Output HP | 7.50 Hp | Output KW | 5.6 kW |
| Frequency | 60 Hz | Voltage | 575 V |
| Current | 7.1 A | Speed | 3460 rpm |
| Service Factor | 1.15 | Phase | 3 |
| Efficiency | 87.5 % | Power Factor | 90.5 |
| Duty | Continuous | Insulation Class | B |
| Design Code | B | KVA Code | H |
| Frame | 184T | Enclosure | Drip Proof |
| Thermal Protection | No | Ambient Temperature | 40 °C |
| Drive End Bearing Size | 6206 | Opp Drive End Bearing Size | 6203 |
| UL | Recognized | CSA | Y |
| CE | Y | IP Code | 22 |
| Number of Speeds | 1 | | |

Technical Specifications

| | | | |
|-----------------------|------------------------------------|-----------------------|------------------------|
| Electrical Type | Squirrel Cage Induction Run | Starting Method | Across The Line |
| Poles | 2 | Rotation | Reversible |
| Resistance Main | 1.86 Ohms | Mounting | Rigid Base |
| Motor Orientation | Horizontal | Drive End Bearing | Ball |
| Opp Drive End Bearing | Ball | Frame Material | Rolled Steel |
| Shaft Type | T | Overall Length | 14.72 in |
| Frame Length | 7.75 in | Shaft Diameter | 1.125 in |
| Shaft Extension | 2.78 in | Assembly/Box Mounting | F1 ONLY |
| Connection Drawing | A-EE7300 | Outline Drawing | A-SS65625-775 |

This is an uncontrolled document once printed or downloaded and is subject to change without notice. Date Created:10/12/2021

SS65625

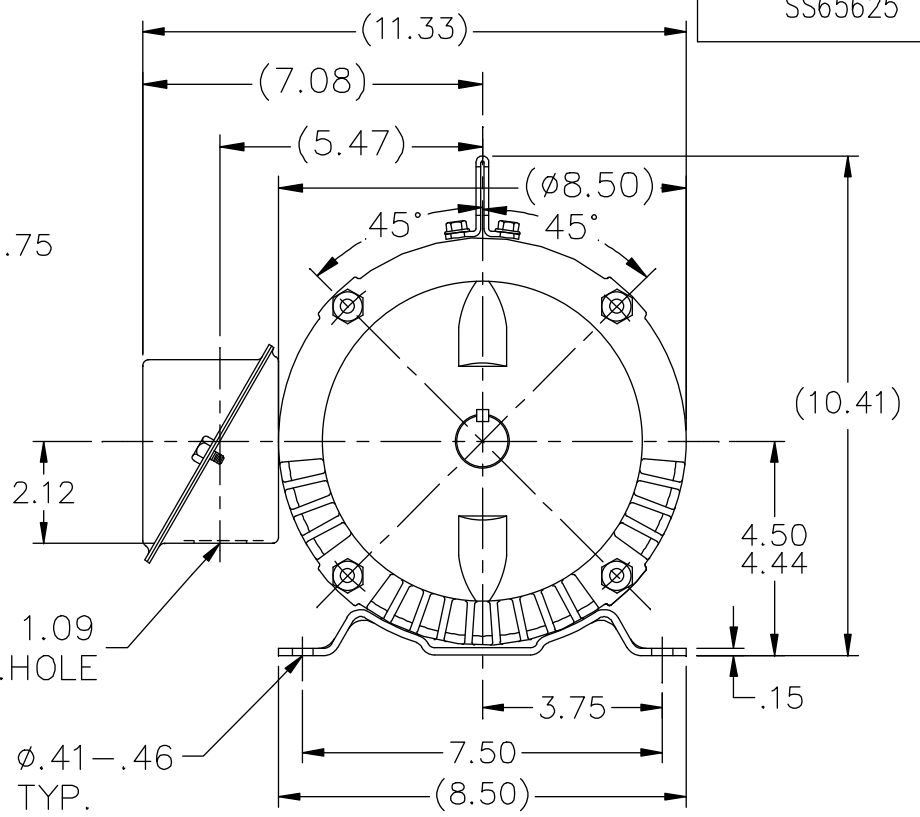


.25x.25x1.75 KEY

ø 1.1250
ø 1.1245

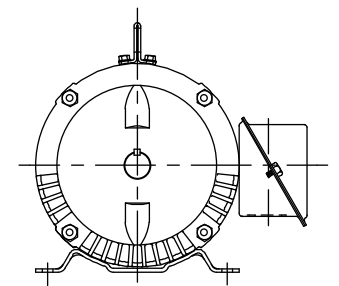
ø 1.09 L.HOLE

ø .41-.46 TYP.



BOX CAN BE ROTATED IN 90° STEPS.

| DASH | FR. | C | BS | MOUNTING | DASH | FR. | C | BS | MOUNTING |
|------|------|-------|------|----------|------|------|-------|------|----------|
| 575 | 182T | 12.72 | 2.25 | F1 OR F2 | 775 | 182T | 14.72 | 3.25 | F1 ONLY |
| 625 | 182T | 13.22 | 2.50 | F1 OR F2 | 775 | 184T | 14.72 | 3.25 | F1 ONLY |
| 675 | 182T | 13.72 | 2.75 | F1 OR F2 | 825 | 184T | 15.22 | 3.50 | F1 ONLY |
| 675 | 184T | 13.72 | 2.75 | F1 OR F2 | 875 | 184T | 15.72 | 3.75 | F1 ONLY |
| 725 | 182T | 14.22 | 3.00 | F1 ONLY | 925 | 184T | 16.22 | 4.00 | F1 ONLY |
| 725 | 184T | 14.22 | 3.00 | F1 ONLY | | | | | |



F2 VIEW (WHEN APPLICABLE)

| NO. | REVISION | BY & DATE | CHK | ANG | ±'30" | TOLERANCES UNLESS SPECIFIED | | MARATHON ELECTRIC | DRAWN ML 12-28-1987 |
|-----|--------------------------|----------------------------|---------|-------|--------|-----------------------------|--------|------------------------------|---------------------|
| | | | | | | DEC. | INCHES | | |
| 14 | UPDATED DRAWING | RJW 04-20-2007 | | | | | | | CHK GK 12-28-1987 |
| 13 | REDRAWN IN AUTOCAD | TAT 06-29-2004 | ML | .X | ±.1 | | | | APPD FG 12-28-1987 |
| 12 | ADDED LIFT LUG | CN 34025 DRS 07-06-2001 | | .XX | ±.03 | | | TITLE OUTLINE | SCALE 1=4 |
| 11 | ADDED MOUNTING TYPE | CN 27451 DRS 02-17-2000 | | .XXX | ±.005 | | | 180T FR. - BB - TS - DR. PR. | REF |
| 10 | CORRECTED DASH 725 & 775 | CN 21725-50 BLR 01-15-1996 | | .XXXX | ±.0005 | | | MAT'L. | FMF |
| | | | | | | | | FINISH | PREV |
| | | | RFP | | | | | CAD FILE ss65625 | SIZE A |
| | | | DIST LB | | | | | | DRAWING NO. SS65625 |
| | | | | | | | | | PAGE OF 14 |
| | | | | | | | | | REV. 14 |

**THREE PHASE - SINGLE VOLTAGE
MOTOR - CONDUIT BOX @ 'A'**

**TO REVERSE ROTATION:
INTERCHANGE ANY TWO
LINE LEAD CONNECTIONS.**

TERMINAL BLOCK WHEN SPECIFIED



VIEW OF TERMINAL END

**IF MOTOR HAS
6 LEADS**



A-9806 DECAL

**OPTIONAL CORD
CONNECTION**



| | | |
|---|---------------------------|---------------------------|
| DRAWING REVISION AB | REVISION BY JJB | DATE 06-27-2017 |
| ECO ECO-0125361 | APPROVED BY TB | DATE 06-27-2017 |
| ECO DESCRIPTION UPDATED TO CURRENT STANDARDS | | |
| <small>COPYRIGHT REGAL BELOIT AMERICA, INC. ALL RIGHTS RESERVED. PROPRIETARY AND CONFIDENTIAL INFORMATION - THIS DOCUMENT IS THE PROPERTY OF REGAL BELOIT AMERICA, INC. ("OWNER") AND CONTAINS OWNER'S PROPRIETARY INFORMATION. ANY PERSON, CORPORATION OR OTHER FIRM RECEIVING IT IS DEEMED, BY RECEIVING IT, TO AGREE THAT IT, AND/OR ANY PART OF IT, SHALL NOT BE DISCLOSED TO ANY PERSON, CORPORATION OR OTHER ENTITY, DUPLICATED, AND/OR USED, EXCEPT AS EXPRESSLY APPROVED IN WRITING IN ADVANCE BY OWNER. THIS DOCUMENT SHALL BE RETURNED TO OWNER UPON REQUEST. IT MAY BE SUBJECT TO CERTAIN RESTRICTIONS UNDER APPLICABLE EXPORT CONTROL LAWS AND REGULATIONS.</small> | | |



| |
|---------------------------|
| DRAWN BY DA |
| DATE 03-26-1993 |
| APPROVED BY TB |
| DATE 03-26-1993 |
| REFERENCE |
| THIRD ANGLE PROJECTION |

| | |
|--|---------------------------------|
| Regal Beloit America, Inc. | |
| DESCRIPTION CONNECTION DIAGRAM EXTERNAL - SINGLE VOLTAGE - 3Ø MOTOR | |
| MATERIAL | PROCESS/FINISH |
| SIZE A | DRAWING NUMBER EE7300 |
| SHEET 1 OF 1 | |