

PRODUCT INFORMATION PACKET

Model No: 184TTDR16009

Catalog No: M804B

Vertical Pump Motor, 5 HP, 3 Ph, 60 Hz, 230/460 V, 1800 RPM, 184HPV Frame, DP



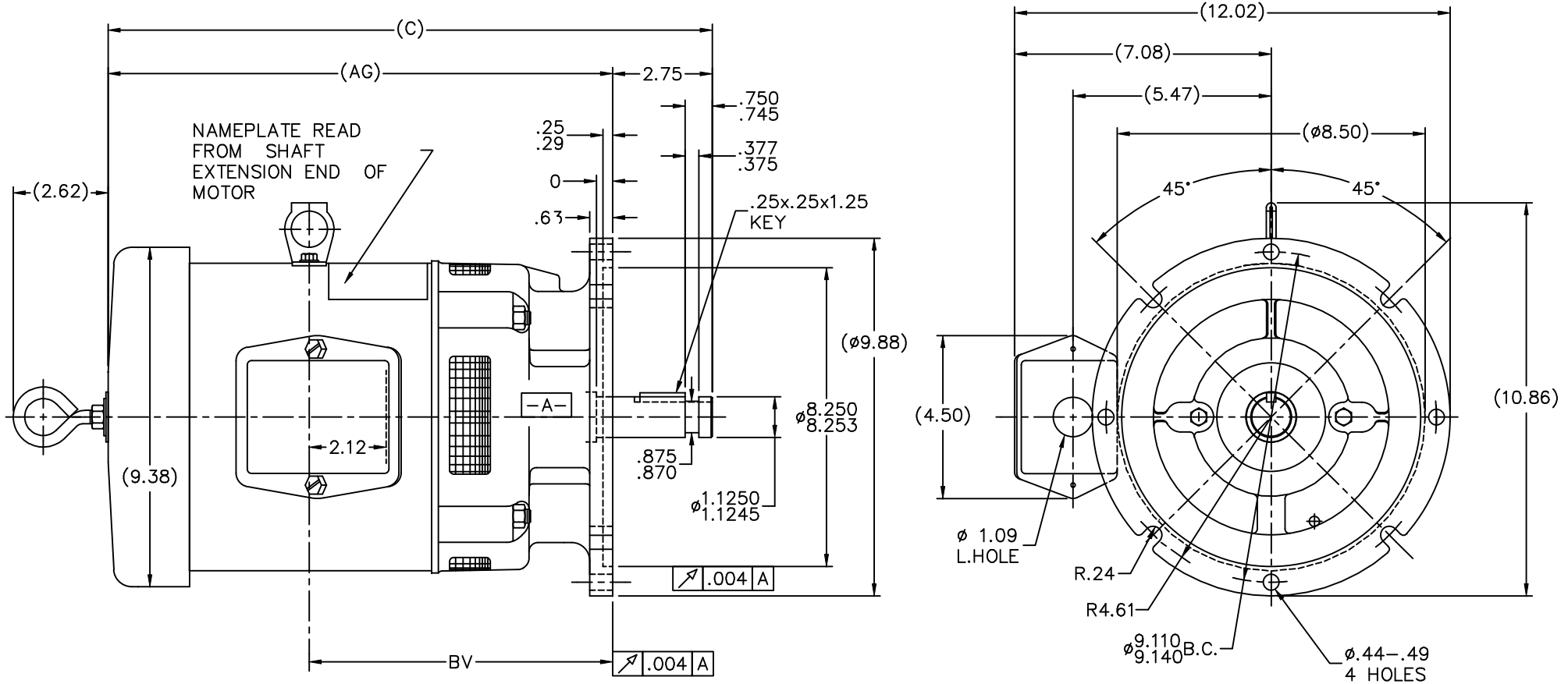
Regal and Marathon are trademarks of Regal Rexnord Corporation or one of its affiliated companies.
©2022 Regal Rexnord Corporation, All Rights Reserved. MC017097E

Nameplate Specifications

Output HP	5 Hp	Output KW	3.7 kW
Frequency	60 Hz	Voltage	230/460 V
Current	12.6/6.3 A	Speed	1750 rpm
Service Factor	1.15	Phase	3
Efficiency	89.5 %	Power Factor	82
Duty	Continuous	Insulation Class	F
Design Code	B	KVA Code	J
Frame	184HPV	Enclosure	Drip Proof
Thermal Protection	No Protection	Ambient Temperature	40 °C
Drive End Bearing Size	207	Opp Drive End Bearing Size	205
UL	Recognized	CSA	Y
CE	Y	IP Code	22
Number of Speeds	1		

Technical Specifications

Electrical Type	Squirrel Cage Induction Run	Starting Method	Across The Line
Poles	4	Rotation	Reversible
Resistance Main	2.82 Ohms	Mounting	Round
Motor Orientation	Shaft Down	Drive End Bearing	Ball
Opp Drive End Bearing	Ball	Frame Material	Rolled Steel
Shaft Type	HP	Overall Length	18.18 in
Frame Length	8.25 in	Shaft Diameter	0.875 in
Shaft Extension	2.75 in	Assembly/Box Mounting	F1/F2 CAPABLE
Outline Drawing	B-SS63891-825	Connection Drawing	A-EE7308



BOX CAN BE ROTATED IN 90° STEPS.

DASH	FR.	C	AG	BV
575	182HP	15.68	12.93	7.88
675	182/4HP	16.68	13.93	8.38
725	182/4HP	17.18	14.43	8.63
775	182/4HP	17.68	14.93	8.88
825	182/4HP	18.18	15.43	9.13
875	182/4HP	18.68	15.93	9.38

10-03-2001
10-03-2001

NO.	REVISION	BY & DATE	CHK	ANG	FINISH	PREV
14	UPDATED DRAWING	RJW 04-19-2007				
13	REDRAWN IN AUTOCAD	TAT 07-22-2004	ML	DEC.	INCHES	
12	UPDATED REAR BRACKET	HLB 12-05-2001	ML	.X	±.1	
11	ADDED LIFTING LUG	MU38434 DAH 08-20-2001		.XX	±.03	
10	REV. -675, -775, -875 FR.	CN 27400-320 CAE 10-13-1999		.XXX	±.005	
9	REVISED EYEBOLT LOCATION	MU25204 CAE 06-02-1999		.XXXX	±.0005	
THIS DRAWING IN DESIGN AND DETAIL IS OUR PROPERTY AND MUST NOT BE USED EXCEPT IN CONNECTION WITH OUR WORK ALL RIGHTS OF DESIGN AND INVENTION ARE RESERVED THIS IS AN ELECTRONICALLY GENERATED DOCUMENT - DO NOT SCALE THIS PRINT						
CAD FILE ss63891						SIZE B DRAWING NO. SS63891 PAGE OF 14



TITLE OUTLINE
180HP FR. - BB - TS - DR.PR. - 'P' BASE

DRAWN LZ 07-05-1994
CHK ML 07-06-1994
APPD GK 07-06-1994
SCALE 3=8
REF
FMF
PREV

EE7308

THREE PHASE
DUAL VOLTAGE MOTOR



VIEW OF TERMINAL END

REF.
WINDING DIAGRAM

T8Y, T2Y, T2BL, T4BX, T2EC, T2G
T6BZ, T2B, T6BL, T4AV, T6B, T4B

OPTIONAL CORD
CONNECTION

L1 — WHITE
L2 — RED
L3 — BLACK

NO.	REVISION	BY & DATE	CHK	ANG	TOLERANCES UNLESS SPECIFIED		FINISH	DRAWN RM 11/20/1990				
					DEC.	INCHES						
5	CHG TO REGAL LOGO	SL 09/10/2015	AB					CHK ML 11/21/1990				
4	REVISED IEC NOTATIONS	MSG 11/15/2011	CMN	.X	±.1			APPD SAS 04/24/2003				
3	ADDED IEC NOTATIONS... (U1), (V1) ETC. MU95194	MSG 5/10/2010	MJS	.XX	±.02		TITLE CONNECTION DIAGRAM	SCALE 1=1				
2	ADDED THE OPTIONAL CORD CONNECTION MU46318	RDH 04/24/2003	DRS	.XXX	±.005		3Ø - DUAL VOLTAGE MOTOR	REF				
1	REDRAWN	RM 11/20/1990		.XXXX	±.0005		MAT'L.	FMF				
					±7'30"			PREV				
THIS DRAWING IN DESIGN AND DETAIL IS OUR PROPERTY AND MUST NOT BE USED EXCEPT IN CONNECTION WITH OUR WORK ALL RIGHTS OF DESIGN AND INVENTION ARE RESERVED THIS IS AN ELECTRONICALLY GENERATED DOCUMENT - DO NOT SCALE THIS PRINT							RFP	CAD FILE ee7308	SIZE A	DRAWING NO. EE7308	PAGE OF 5	REV. 5
							DIST WP					



Regal Beloit America, Inc.



P.O. BOX 8003
WAUSAU, WI 54401-8003
PH. 715-675-3311

DATA VOLTS: 460

CERTIFICATION DATA SHEET

CUSTOMER: _____ CUSTOMER P.O. #: _____
 ORDER #: _____ REFERENCE MODEL #: 184TTDR16009
 CONN. DIAGRAM: A-EE7308 CAT #: N/A
 OUTLINE: B-SS63891-825 CUSTOMER PART #: _____
 WINDING: K1844214 NONE 1 MOUNTING: F1/F2 CAPABLE
 SPEED: _____

TYPICAL MOTOR PERFORMANCE DATA

HP	KW	SYNC RPM	FL RPM	FRAME	ENCLOSURE	TYPE	KVA CODE	DESIGN
5	3.7	1800	1750	184HPV	DP	TDR	J	B

PH	HZ	VOLTS	AMPS	START TYPE	DUTY	INSL	S.F.	AMB	ELEV.
3	60	230/460	12.6/6.3	ACROSS THE LINE	CONT	F	1.15	40	3300

F.L. EFF	89.5	3/4 LD EFF	90.2	1/2 LD EFF	89.5	GTD EFF	87.5	ELECT. TYPE	SQ CAGE IND RUN
F.L. PF	82.0	3/4 LD PF	77.0	1/2 LD PF	66.0				

F.L. TORQUE	LR AMPS @ 460 V	L.R. TORQUE	B.D. TORQUE	F.L. RISE (°C)
15.0 LB-FT	46.0	31.5 LB-FT 210%	50.0 LB-FT 333%	50

@ 3 FT.	POWER	ROTOR WK ²	MAX. LOAD WK ²	SAFE STALL TIME	STARTS/HOUR	MOTOR WGT
63 dBA	72 dBA	0.45 LB-FT ²	30 LB-FT ²	20 SEC.	2	100 LB.

***** SUPPLEMENTAL INFORMATION *****

DE BRACKET TYPE	ODE BRACKET TYPE	MOUNT TYPE	MOTOR ORIENTATION	SEVERE DUTY	HAZARDOUS LOCATION	DRIP COVER	SCREENS	PAINT
P-BASE	STANDARD	ROUND	SHAFT DOWN	NO	NONE	YES	NONE	BLUE (ENAMEL)

BEARINGS		GREASE	SHAFT TYPE	SPECIAL DE	SPECIAL ODE	SHAFT MATERIAL	FRAME MATERIAL
DE	ODE	POLYREX EM	HP	NONE	NONE	1144 STRESSPROOF (C-223)	ROLLED STEEL
BALL	BALL						
207	205						

THERMOSTATS	PROTECTORS	WDG RTD's	BRG RTD's	THERMISTORS	CONTROL	SPACE HEATERS
NONE	NOT	NONE	NONE	NONE	FALSE	NA

R1 (ohms/ph)	R2 (ohms/ph)	X1 (ohms/ph)	X2 (ohms/ph)	Xm (ohms/ph)	VIBRATION (in/sec)	FLOAT
1.545	1.102	3.675	5.129	93.72	0.150	ODE

* N O T E S *	INVERTER TORQUE: NONE					
	INV. HP SPEED RANGE: NONE					
	ENCODER: NONE					
	NONE					
	NONE NONE PPR					

PREPARED BY: FAREEDA DUDEKULA	BRAKE: NONE
DATE: 8/31/2018	NONE NONE
	FT-LB: NA
	VOLTAGE: NONE HZ:
FORM: 3531 REV_4 2/27/06	UL: V-INS, CONST UL REC

Data Sheet

Date: 12/14/2018
 Customer: _____
 Attention: _____
 Submitted by: FAREEDA DUDEKULA



184TTDR16009

Submittal

Data @ 460 V

Motor Load Data

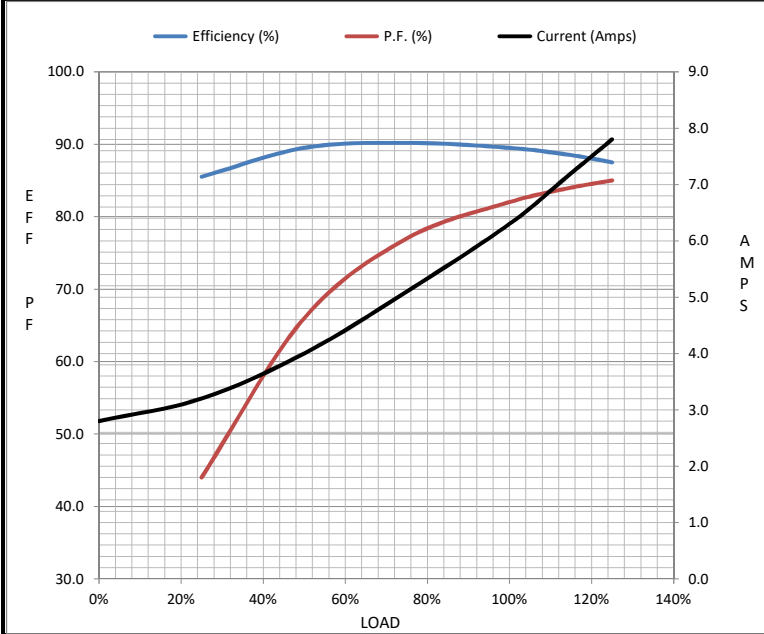
Load	0%	25%	50%	75%	100%	115%	125%	LR
Current (Amps)	2.80	3.2	4.0	5.1	6.3	7.2	7.8	46.0
Torque (ft-lb)	0.00	3.7	7.4	11.2	15.0	17.5	19.0	31.5
RPM	1800	1790	1775	1765	1750	1,745	1735	0
Efficiency (%)		85.5	89.5	90.2	89.5	88.5	87.5	
P.F. (%)	6.5	44.0	66.0	77.0	82.0	84.0	85.0	50.0

Motor Speed Data

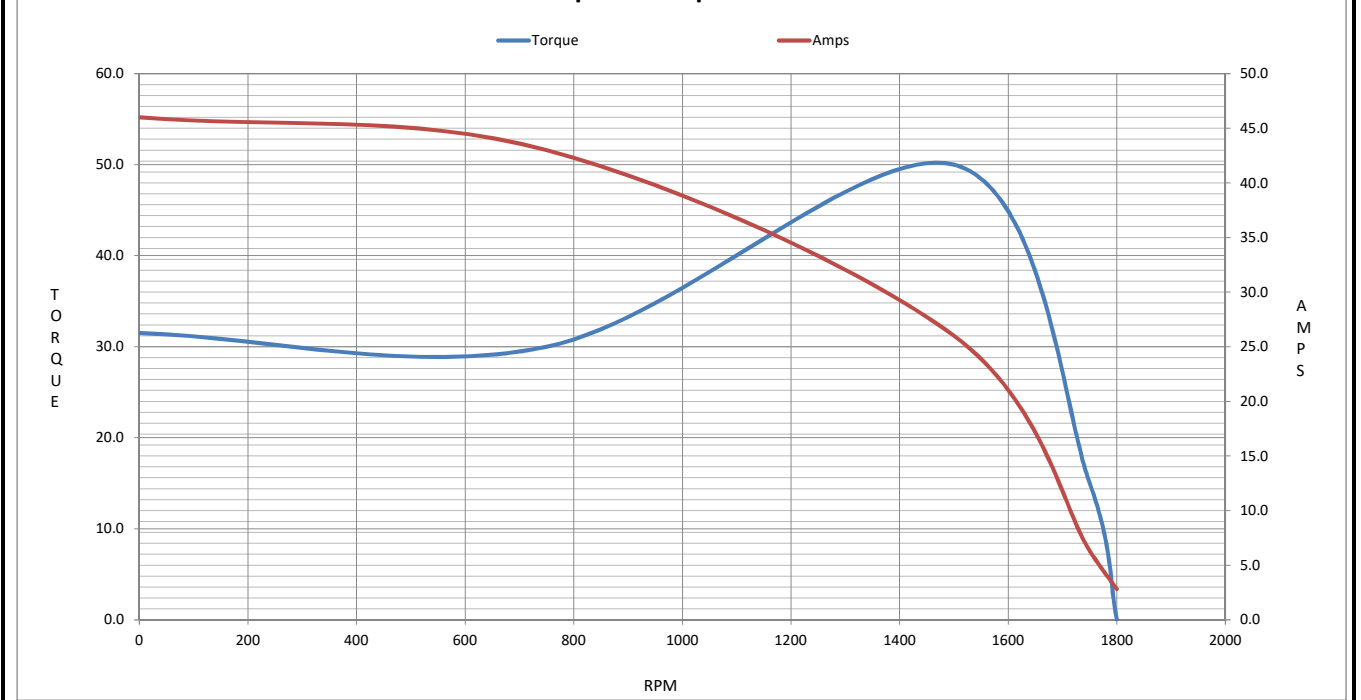
	LR	Pull-Up	BD	Rated	Idle
Speed (RPM)	0	750	1500	1750	1800
Current (Amps)	46.0	43.0	26.0	6.3	2.80
Torque (ft-lb)	31.5	30.0	50.0	15.0	0.00

Information Block

HP	5.0			
Sync. RPM	1800			
Frame	184			
Enclosure	DP			
Construction	TDR			
Voltage	230/460 V			
Frequency	60 Hz			
Design	B			
LR Code letter	J			
Service Factor	1.15			
Temp Rise @ FL	50 °C			
Duty	CONT			
Ambient	40 °C			
Elevation	1,000 feet			
Rotor/Shaft wk ²	0.45 Lb-Ft ²			
Ref Wdg	K1844214 NONE			
Sound Pressure @ 1M	63 dBA			
VFD Rating	NONE			
Outline Dwg	B-SS63891-825			
Conn. Diag	A-EE7308			
Additional Specifications:				
0				
0				
EQUIV CKT (OHMS / PHASE)				
R1	R2	X1	X2	Xm
1.5450	1.1020	3.6750	5.1290	93.7200



Speed -Torque Curve



EC Declaration of Conformity

The undersigned representing
the manufacturer:

Regal Beloit America
100 East Randolph St.
Wausau, WI 54401

and the authorized representative
established within the Community:

Marathon Electric UK
6F Thistleton Road Ind. Estate
Market Overton
Oakham, Rutland LE15 7PP UK

are committed to providing customers with products that comply with applicable regulations and international protocols to which they are subject, including the requirements of the European Parliament Directive on the Harmonization of the laws relating to electrical equipment designed for use within certain voltage limits (2014/35/EU).

Regal Beloit America declares that the following product(s), to which this declaration relates, are in conformity with the relevant sections of the EC standards listed below.

This statement supersedes any statements previously issued pertaining to the product(s) listed below and is subject to change without notice.

Model No : 184TTDR16009

(Model No. may contain prefix and/or suffix characters)

Catalog No : M804B

Rework No : N/A

Directives :

Low Voltage Directive 2014/35/EU

Harmonized Standards Used :

EN 60034-1: 2010 (IEC 60034-1: 2010)

EN 60034-5: 2001/A1:2007 (IEC 60034-5: 2000/A1:2006)

Authorized Representative:



Michael A. Logsdon
Vice President, Technology

Authorized Representative in the Community:



Julian Clark
Marketing Engineer

Created on 09/01/2022

CE 22