

PRODUCT INFORMATION PACKET

marathon[®]
Motors

Model No: 184TTDBD7286

Catalog No: Y454B

Multispeed Motor, 3 & 1.33 HP, 3 Ph, 60 & 60 Hz, 200-230 & 200-230 V, 1800 & 1800 RPM, 184T Frame,
DP

Regal and Marathon are trademarks of Regal Rexnord Corporation or one of its affiliated companies.

©2023 Regal Rexnord Corporation, All Rights Reserved. MC017097E

RegalRexnord

Nameplate Specifications

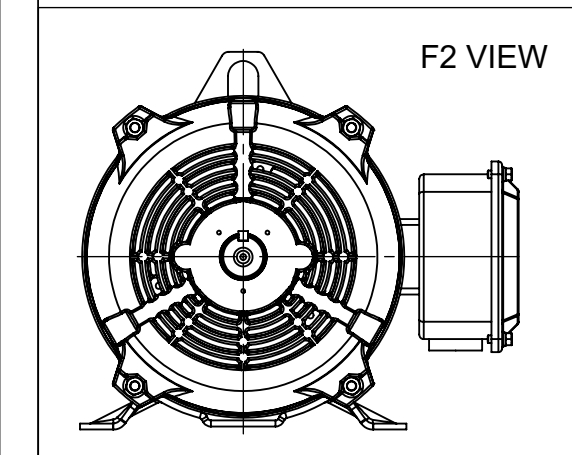
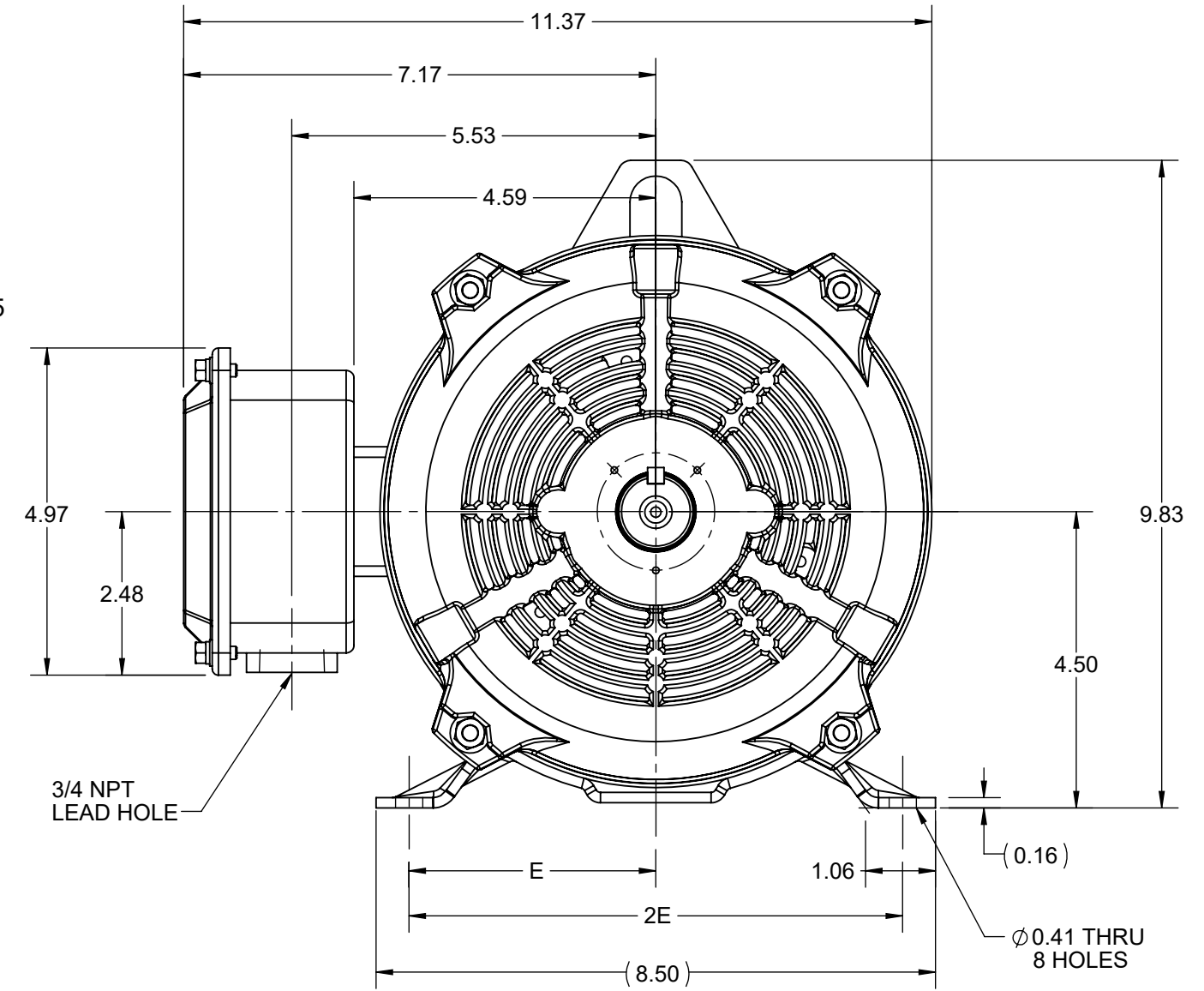
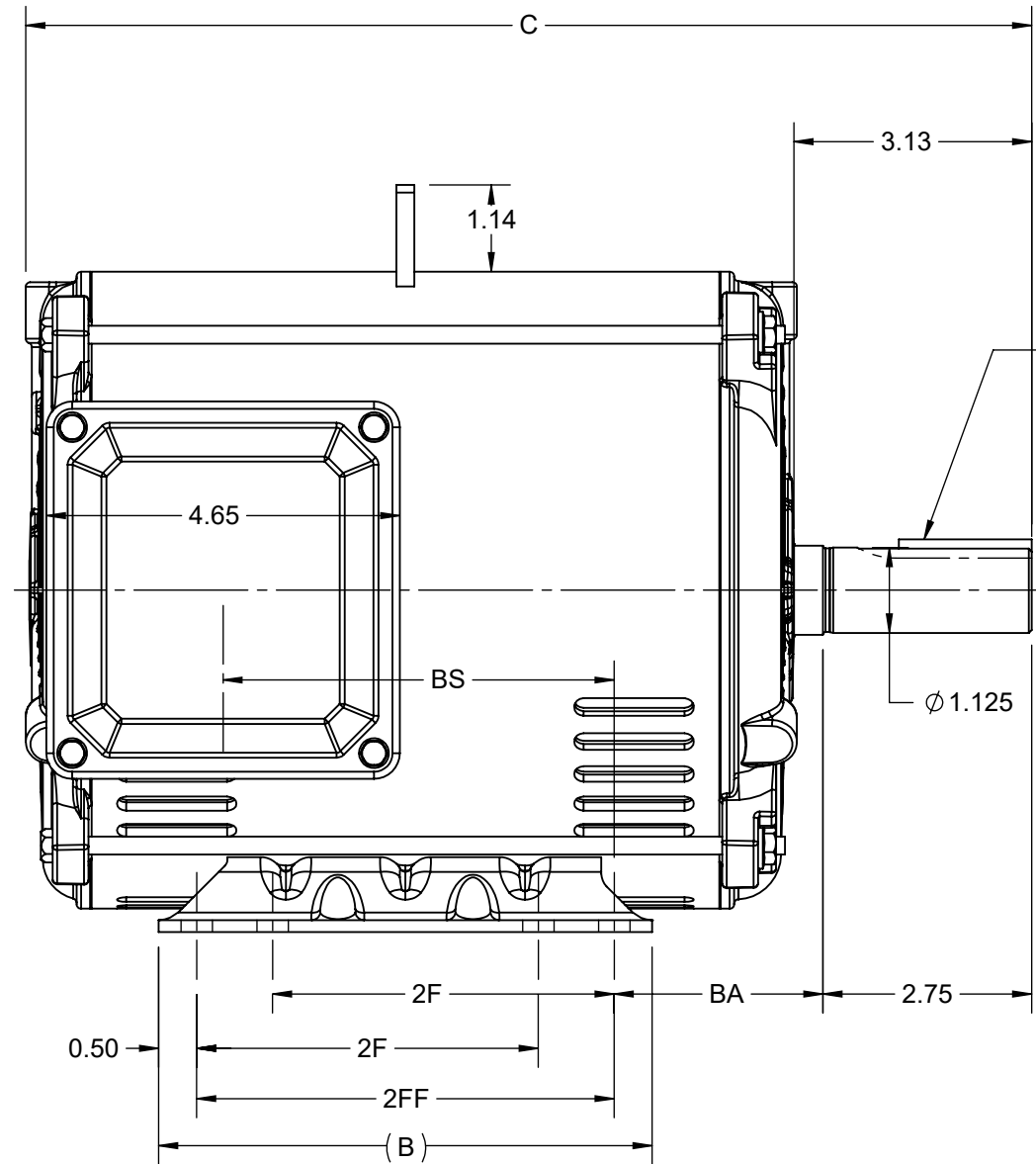
Phase	3	Output HP	3 & 1.33 Hp
Output KW	2.2 & 0.99 kW	Voltage	200-230 & 200-230 V
Speed	1775 & 1180 rpm	Service Factor	1.15 & 1.15
Frame	184T	Enclosure	Drip Proof
Thermal Protection	No Protection	Efficiency	82 & 76 %
Ambient Temperature	40 °C	Frequency	60 & 60 Hz
Current	9-8.5 & 5-4.98 A	Power Factor	72.5
Duty	Continuous	Insulation Class	F
Design Code	2VT	KVA Code	M
Drive End Bearing Size	6206	Opp Drive End Bearing Size	6203
UL	Recognized	CSA	Y
CE	Y	IP Code	22
Number of Speeds	2		

Technical Specifications

Electrical Type	Squirrel Cage Induction Run	Starting Method	Across The Line
Poles	4//6	Rotation	Reversible
Resistance Main	15.0678 Ohms	Mounting	Rigid Base
Motor Orientation	Horizontal	Drive End Bearing	Ball
Opp Drive End Bearing	Ball	Frame Material	Rolled Steel
Shaft Type	T	Shaft Diameter	1.125 in
Assembly/Box Mounting	F1/F2 CAPABLE		
Outline Drawing	SS600198-200	Connection Drawing	EE7317

This is an uncontrolled document once printed or downloaded and is subject to change without notice. Date Created:06/23/2023

DASH NO.	4		3					2		1
	B	C	E	2E	2F	2FF	BA	BS	MOUNTING	FRAME
100	6.50	12.25	3.75	7.50	4.50	5.50	2.75	4.15	F1 OR F2	182T
200		13.25						5.15		184T

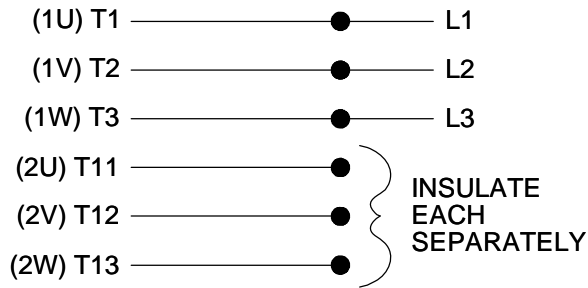


DRAWING REVISION F	REVISION BY VS	REV DATE/© DATE 24-06-2021
ECO CR-0003090	APPROVED BY GNK	DATE 24-06-2021
ECO DESCRIPTION VIEWS UPDATED		
<small>COPYRIGHT (PER REVISION DATE) REGAL BELOIT AMERICA, INC. ALL RIGHTS RESERVED. PROPRIETARY AND CONFIDENTIAL INFORMATION - THIS DOCUMENT IS THE PROPERTY OF REGAL BELOIT AMERICA, INC. ("OWNER") AND CONTAINS OWNER'S PROPRIETARY INFORMATION. ANY PERSON, CORPORATION OR OTHER FIRM RECEIVING IT IS DEEMED, BY RECEIVING IT, TO AGREE THAT IT, AND/OR ANY PART OF IT, SHALL NOT BE DISCLOSED TO ANY PERSON, CORPORATION OR OTHER ENTITY, DUPLICATED, AND/OR USED, EXCEPT AS EXPRESSLY APPROVED IN WRITING IN ADVANCE BY OWNER. THIS DOCUMENT SHALL BE RETURNED TO OWNER UPON REQUEST. IT MAY BE SUBJECT TO CERTAIN RESTRICTIONS UNDER APPLICABLE EXPORT CONTROL LAWS AND REGULATIONS.</small>		

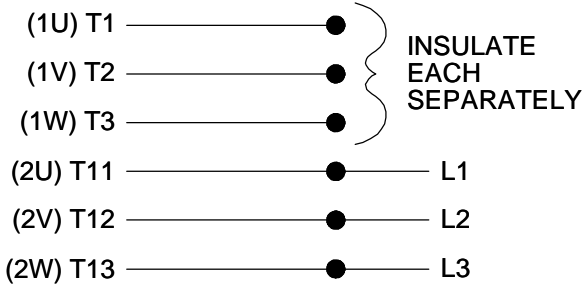
PRIMARY DIMENSIONS ARE INCH
mm DIMENSIONS IN [BRACKETS]
ARE FOR REFERENCE ONLY

DRAWN BY PRIYA	REGAL ® Regal Beloit America, Inc.
DATE 12/03/2018	
APPROVED BY SBD	DESCRIPTION OUTLINE 182/184T FR -NEMA-ODP RS
DATE 12/03/2018	MATERIAL
REFERENCE	PROCESS/FINISH
THIRD ANGLE PROJECTION	SIZE B
	DRAWING NUMBER SS600198
	SHEET 1 OF 1

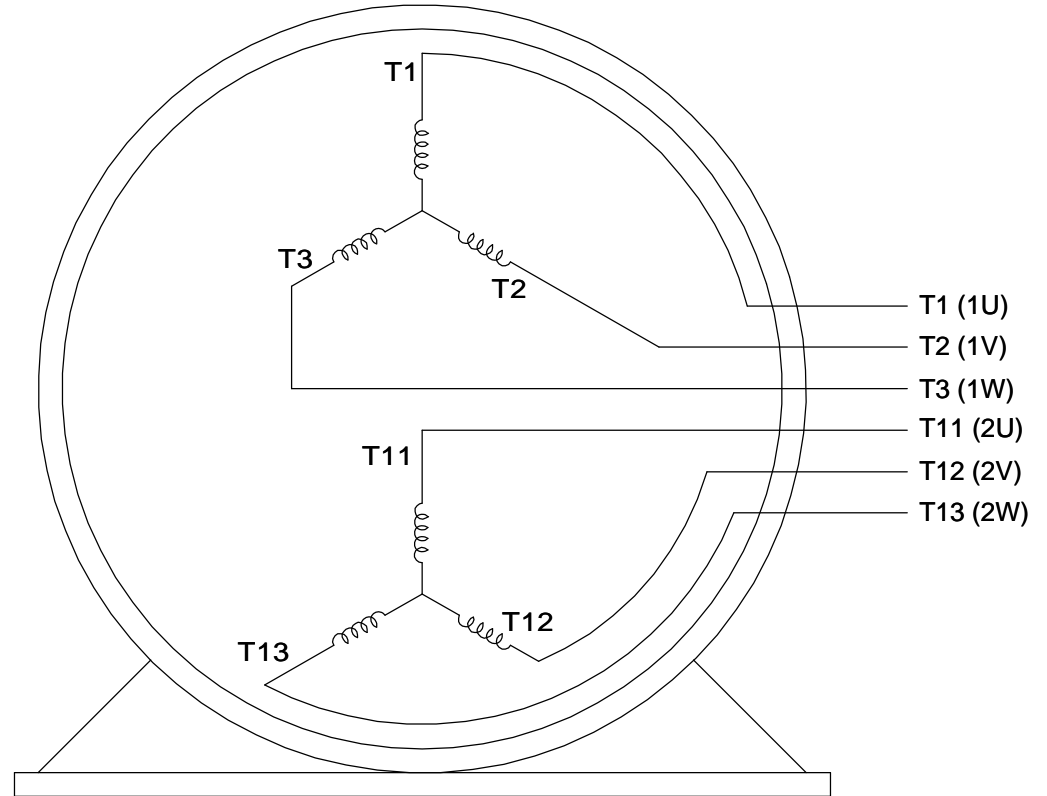
LOW SPEED



HIGHSPEED



**THREE PHASE, SINGLE VOLT, 6 LEAD
2 SPEED REVERSIBLE MOTOR**



VIEW OF TERMINAL END

TO REVERSE ROTATION ON
EITHER SPEED: INTERCHANGE
ANY 2 LEADS ON THE
WINDING IN USE.

DRAWING REVISION C	REVISION BY JJB	DATE 10-25-2017		DRAWN BY LZ	Regal Beloit America, Inc.	
ECO ECO-0132917	APPROVED BY TLB	DATE 10-30-2017		DATE 01-05-1994		
ECO DESCRIPTION REVISED PER ECO & UPDATED TO STANDARDS				APPROVED BY GK	DESCRIPTION CONN DIAGRAM-INTERNAL	
<small>COPYRIGHT REGAL BELOIT AMERICA, INC. ALL RIGHTS RESERVED. PROPRIETARY AND CONFIDENTIAL INFORMATION - THIS DOCUMENT IS THE PROPERTY OF REGAL BELOIT AMERICA, INC. ("OWNER") AND CONTAINS OWNER'S PROPRIETARY INFORMATION. ANY PERSON, CORPORATION OR OTHER FIRM RECEIVING IT IS DEEMED, BY RECEIVING IT, TO AGREE THAT IT, AND/OR ANY PART OF IT, SHALL NOT BE DISCLOSED TO ANY PERSON, CORPORATION OR OTHER ENTITY, DUPLICATED, AND/OR USED, EXCEPT AS EXPRESSLY APPROVED IN WRITING IN ADVANCE BY OWNER. THIS DOCUMENT SHALL BE RETURNED TO OWNER UPON REQUEST. IT MAY BE SUBJECT TO CERTAIN RESTRICTIONS UNDER APPLICABLE EXPORT CONTROL LAWS AND REGULATIONS.</small>				DATE 01-17-1994	3 PHASE - SINGLE - 2 SPEED REVERSIBLE	
			REFERENCE	MATERIAL	PROCESS/FINISH	
			THIRD ANGLE PROJECTION	SIZE A	DRAWING NUMBER EE7317	SHEET 1 OF 1

EC Declaration of Conformity

The undersigned representing
the manufacturer:

Regal Beloit America
100 East Randolph St.
Wausau, WI 54401

and the authorized representative
established within the Community:

Marathon Electric UK
6F Thistleton Road Ind. Estate
Market Overton
Oakham, Rutland LE15 7PP UK

are committed to providing customers with products that comply with applicable regulations and international protocols to which they are subject, including the requirements of the European Parliament Directive on the Harmonization of the laws relating to electrical equipment designed for use within certain voltage limits (2014/35/EU).

Regal Beloit America declares that the following product(s), to which this declaration relates, are in conformity with the relevant sections of the EC standards listed below.

This statement supersedes any statements previously issued pertaining to the product(s) listed below and is subject to change without notice.

Model No : 184TTDBD7286

(Model No. may contain prefix and/or suffix characters)

Catalog No : 184TTDBD7286

Rework No : N/A

Directives :

Low Voltage Directive 2014/35/EU

Harmonized Standards Used :

EN 60034-1: 2010 (IEC 60034-1: 2010)

EN 60034-5: 2001/A1:2007 (IEC 60034-5: 2000/A1:2006)

Authorized Representative:



Michael A. Logsdon
Vice President, Technology

Authorized Representative in the Community:



Julian Clark
Marketing Engineer

Created on 01/04/2023

CE 23