

PRODUCT INFORMATION PACKET

marathon[®]
Motors

Model No: 184TTDB7322

Catalog No: M1319

Other Purpose Motor, 7.50 & 5 HP, 3 Ph, 60 & 50 Hz, 208-230/460 & 190/380 V, 3600 & 3000 RPM,
184JMV Frame, DP

Regal and Marathon are trademarks of Regal Rexnord Corporation or one of its affiliated companies.

©2023 Regal Rexnord Corporation, All Rights Reserved. MC017097E

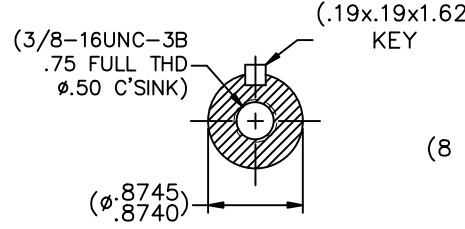
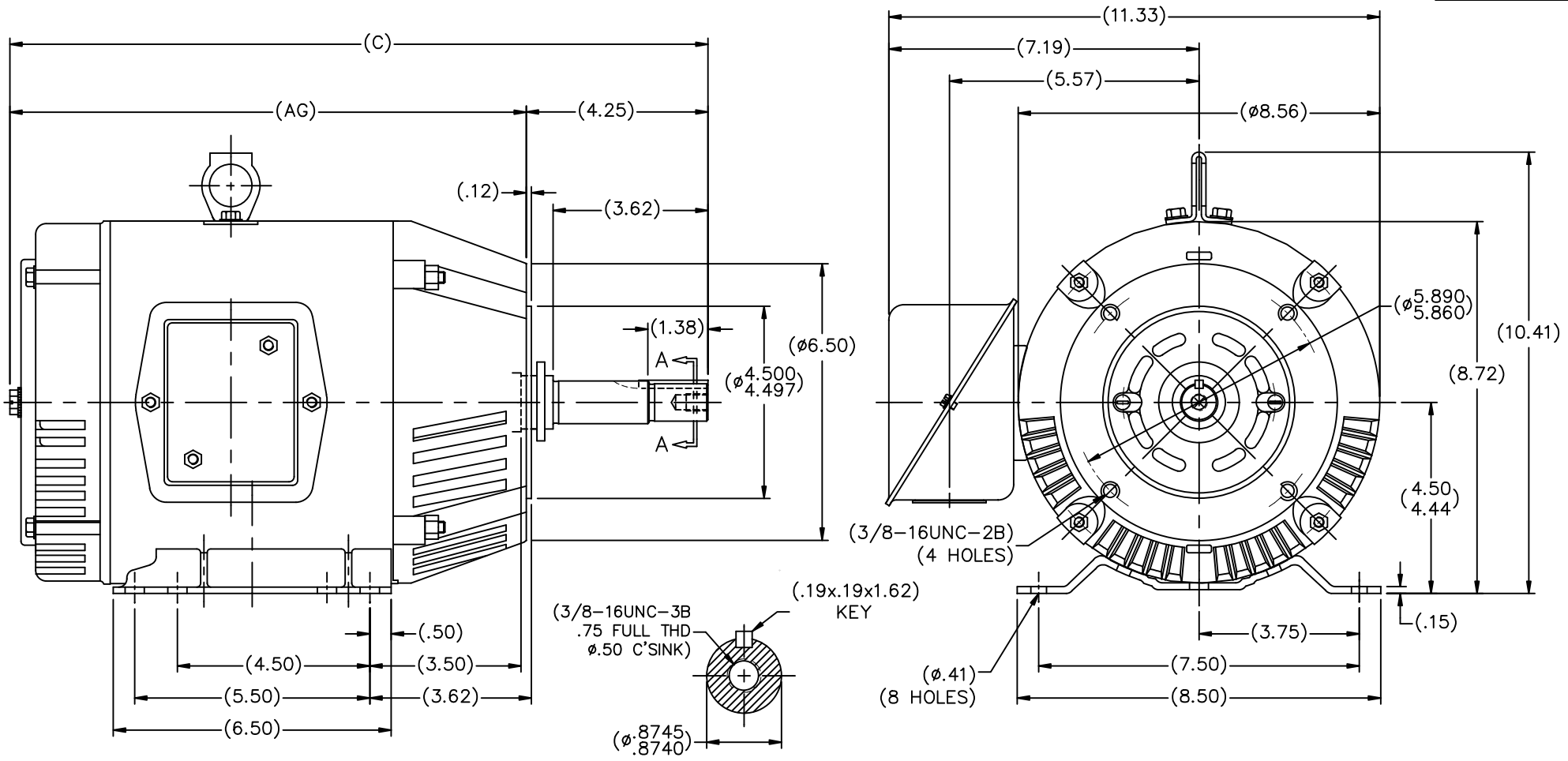
RegalRexnord

Nameplate Specifications

Phase	3	Output HP	7.50 & 5 Hp
Output KW	5.6 & 3.7 kW	Voltage	208-230/460 & 190/380 V
Speed	3475 & 2910 rpm	Service Factor	1.15 & 1.15
Frame	184JMV	Enclosure	Drip Proof
Thermal Protection	No Protection	Efficiency	86.5 & 87.5 %
Ambient Temperature	40 °C	Frequency	60 & 50 Hz
Current	19.6-18/9 & 14.8/7.4 A	Power Factor	91
Duty	Continuous	Insulation Class	F
Design Code	B	KVA Code	G
Drive End Bearing Size	6307	Opp Drive End Bearing Size	6205
UL	Recognized	CSA	Y
CE	Y	IP Code	22
Number of Speeds	1		

Technical Specifications

Electrical Type	Squirrel Cage Induction Run	Starting Method	Across The Line
Poles	2	Rotation	Reversible
Resistance Main	2.3 Ohms	Mounting	Rigid Base
Motor Orientation	Horizontal Or Shaft Down	Drive End Bearing	Ball
Opp Drive End Bearing	Ball	Frame Material	Rolled Steel
Shaft Type	JM	Overall Length	17.35 in
Shaft Diameter	0.875 in	Shaft Extension	4.28 in
Assembly/Box Mounting	F1 ONLY		
Connection Drawing	EE7308	Outline Drawing	SS620020-184JM



SECTION A-A
2x

(MAY NOT BE DRAWN TO SCALE)

182TTDR7325	182JM-2	16.35	12.10
184TTDR7322	184JM-2	17.35	13.10
MODEL	FRAME	C	AG

		TOLERANCES UNLESS SPECIFIED		MARATHON ELECTRIC		DRAWN MSG 02-16-2007	
		DEC.	INCHES			CHK	ML 02-22-2007
		.X	±.1			APPD	GK 02-22-2007
		.XX	±.02	TITLE OUTLINE		SCALE	7=16
		.XXX	±.005	182/184JM FR. - C'FACE		REF	
		.XXXX	±.0005	MAT'L		FMF	
1	CORRECTED SHAFT EXT DIM. LOC. ISAAC 10-3482	MOL	08-09-2010			PREV	
NO.	REVISION	BY & DATE	CHK	ANG	±7'30"	FINISH	
THIS DRAWING IN DESIGN AND DETAIL IS OUR PROPERTY AND MUST NOT BE USED EXCEPT IN CONNECTION WITH OUR WORK ALL RIGHTS OF DESIGN AND INVENTION ARE RESERVED THIS IS AN ELECTRONICALLY GENERATED DOCUMENT - DO NOT SCALE THIS PRINT				RFP	CAD FILE SS620020	SIZE	DRAWING NO. PAGE OF REV.
				DIST		B	SS620020 1



NO.	REVISION	BY & DATE	CHK	ANG	TOLERANCES UNLESS SPECIFIED		FINISH	DRAWN RM 11/20/1990				
					DEC.	INCHES						
5	CHG TO REGAL LOGO	SL 09/10/2015	AB					CHK ML 11/21/1990				
4	REVISED IEC NOTATIONS	MSG 11/15/2011	CMN	.X	±.1			APPD SAS 04/24/2003				
3	ADDED IEC NOTATIONS... (U1), (V1) ETC. MU95194	MSG 5/10/2010	MJS	.XX	±.02			SCALE 1=1				
2	ADDED THE OPTIONAL CORD CONNECTION MU46318	RDH 04/24/2003	DRS	.XXX	±.005		TITLE CONNECTION DIAGRAM 3Ø - DUAL VOLTAGE MOTOR	REF				
1	REDRAWN	RM 11/20/1990		.XXXX	±.0005		MAT'L.	FMF				
					±7'30"			PREV				
THIS DRAWING IN DESIGN AND DETAIL IS OUR PROPERTY AND MUST NOT BE USED EXCEPT IN CONNECTION WITH OUR WORK ALL RIGHTS OF DESIGN AND INVENTION ARE RESERVED THIS IS AN ELECTRONICALLY GENERATED DOCUMENT - DO NOT SCALE THIS PRINT							RFP	CAD FILE ee7308	SIZE A	DRAWING NO. EE7308	PAGE OF 5	REV. 5
							DIST WP					