

PRODUCT INFORMATION PACKET

Model No: 184TPFSC10392

Catalog No: NM1424

NovaMAX™ EC Permanent Magnet Fan & Blower Motor, 2 HP, 3 Ph, 30 Hz, 460 V, 600 RPM, 184T Frame, TEFC



Regal and Marathon are trademarks of Regal Rexnord Corporation or one of its affiliated companies.

©2023 Regal Rexnord Corporation, All Rights Reserved. MC017097E

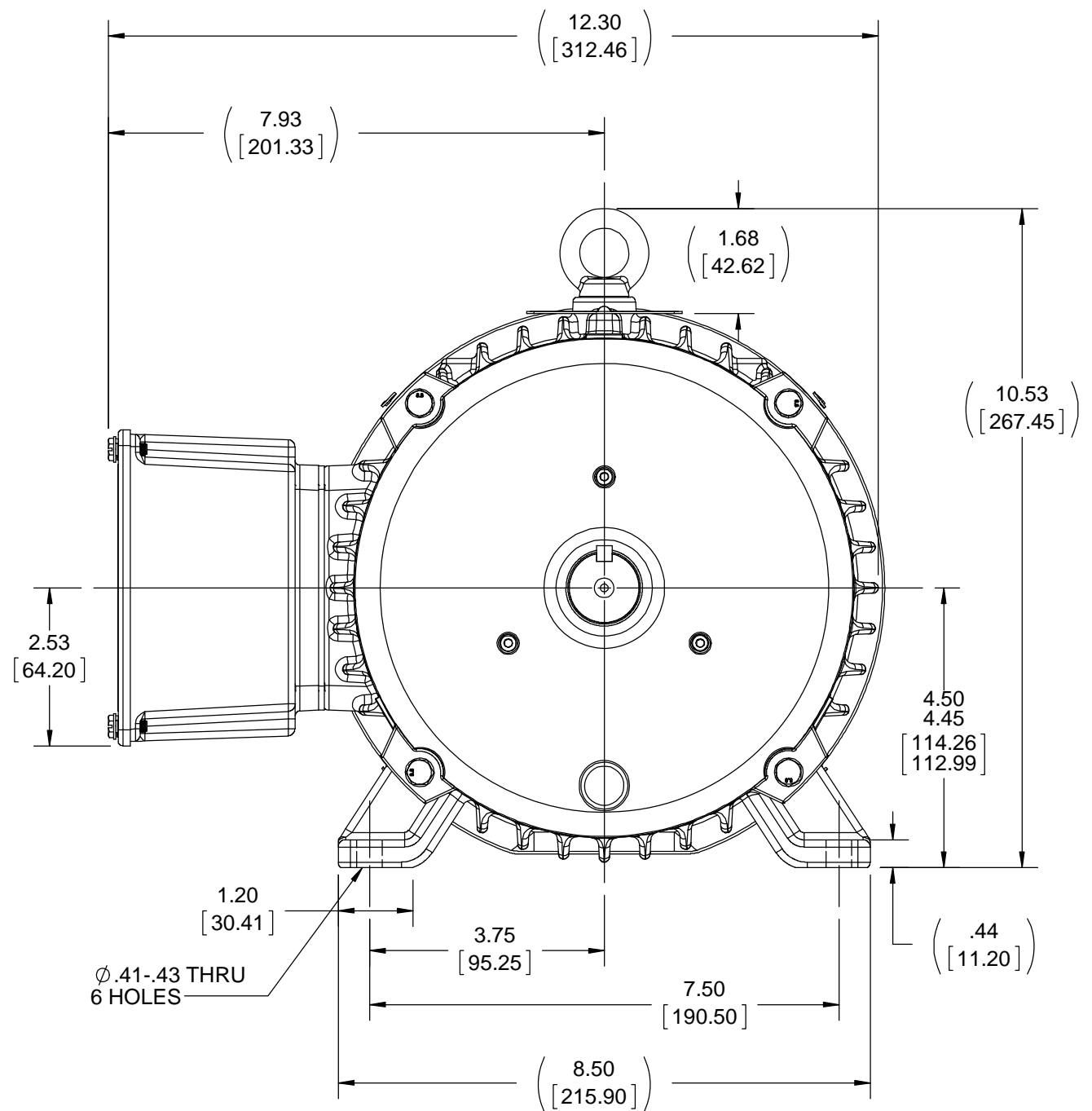
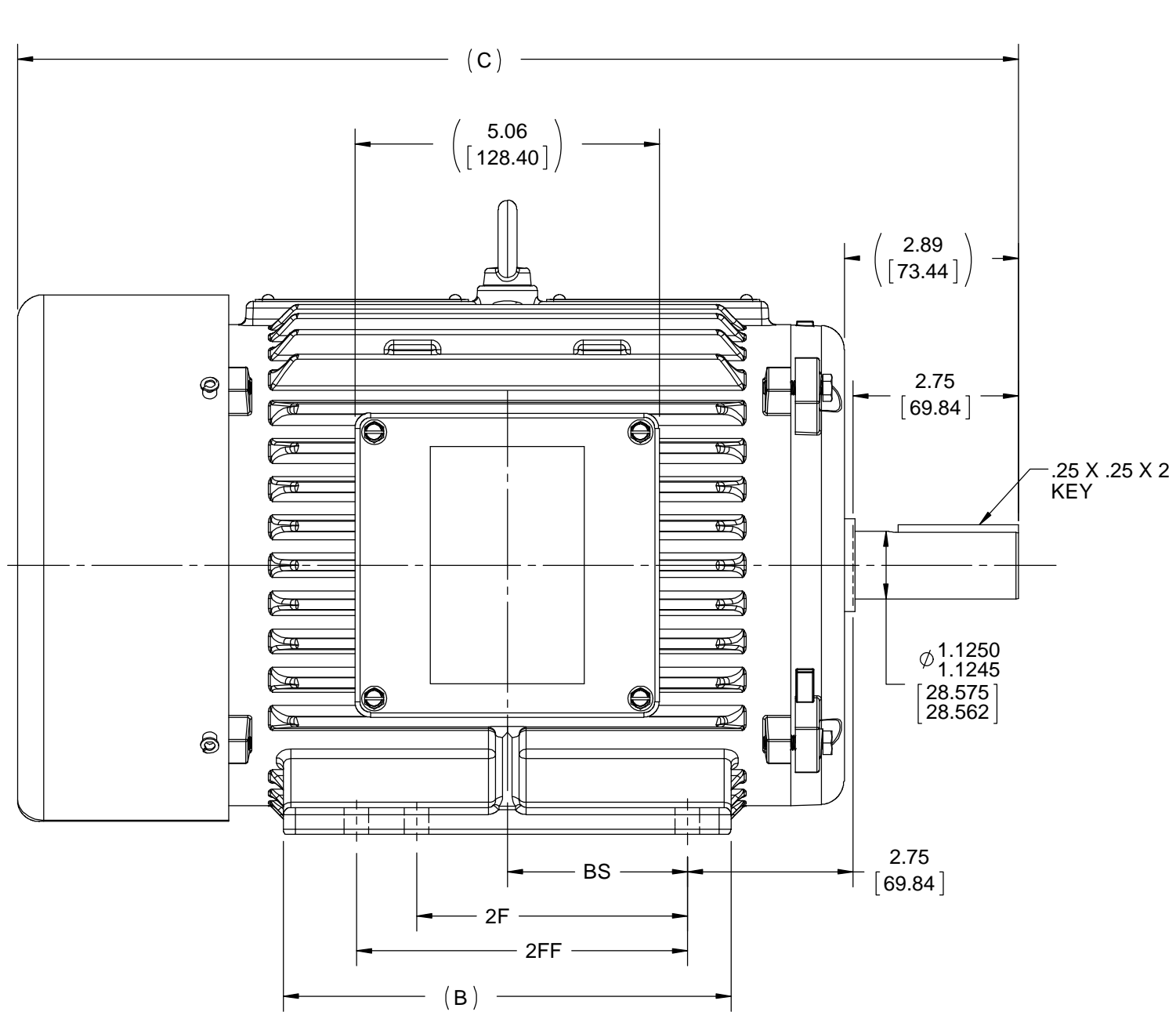
Nameplate Specifications

| | | | |
|------------------------|-----------------------|----------------------------|------------------------------------|
| Phase | 3 | Output HP | 2 Hp |
| Output KW | 1.5 kW | Voltage | 460 V |
| Speed | 600 rpm | Service Factor | 1.15 |
| Frame | 184T | Enclosure | Totally Enclosed Fan Cooled |
| Thermal Protection | No Protection | Efficiency | 89 % |
| Ambient Temperature | 40 °C | Frequency | 30 Hz |
| Current | 2.5 A | Power Factor | 0 |
| Duty | Continuous | Insulation Class | F |
| Design Code | No Design Code | KVA Code | N/A |
| Drive End Bearing Size | 6207 | Opp Drive End Bearing Size | 6207 |
| UL | Recognized | CSA | N |
| CE | N | IP Code | 54 |
| Number of Speeds | 1 | | |

Technical Specifications

| | | | |
|-----------------------|----------------------------|-----------------------|-----------------------|
| Electrical Type | AC Permanent Magnet | Starting Method | Inverter Only |
| Poles | 6 | Rotation | Reversible |
| Resistance Main | 0 Ohms | Mounting | Rigid Base |
| Motor Orientation | Horizontal | Drive End Bearing | Ball |
| Opp Drive End Bearing | Ball | Frame Material | Cast Iron |
| Shaft Type | T | Overall Length | 16.43 in |
| Frame Length | 9.42 in | Shaft Diameter | 1.125 in |
| Shaft Extension | 2.75 in | Assembly/Box Mounting | F1/F2 CAPABLE |
| Connection Drawing | NA | Outline Drawing | 520-00319-9419 |

| | | | | | | |
|------|---------|-------------------|------------------|------------------|------------------|-----------------|
| DASH | FRAME | C | B | 2F | 2FF | BS |
| 9419 | 182/184 | 16.63 [422.28] | 7.44 [188.93] | 4.50 [114.30] | 5.50 [139.70] | 2.99 [75.98] |



- NOTES: (UNLESS OTHERWISE SPECIFIED)
- ALL DIMENSIONS & TOLERANCES APPLY POST- FINISH OR PLATING.
 - CRITICAL TO FUNCTION DIMENSIONS ARE INSIDE OVAL BORDER. QUERY SOLID MODEL (IGES) FOR COMPLETE PART DEFINITION.

| | | |
|---|--------------------|--------------------|
| DRAWING REVISION F | REVISION BY GNK | DATE 08/09/2018 |
| ECO ECO-0150486 | APPROVED BY GNK | DATE 08/09/2018 |
| DRAWING UPDATED | | |
| <small>COPYRIGHT REGAL BELOIT AMERICA, INC. ALL RIGHTS RESERVED. PROPRIETARY AND CONFIDENTIAL INFORMATION - THIS DOCUMENT IS THE PROPERTY OF REGAL BELOIT AMERICA, INC. ("OWNER") AND CONTAINS OWNER'S PROPRIETARY INFORMATION. ANY PERSON, CORPORATION OR OTHER FIRM RECEIVING IT IS DEEMED, BY RECEIVING IT, TO AGREE THAT IT, AND/OR ANY PART OF IT, SHALL NOT BE DISCLOSED TO ANY PERSON, CORPORATION OR OTHER ENTITY, DUPLICATED, AND/OR USED, EXCEPT AS EXPRESSLY APPROVED IN WRITING IN ADVANCE BY OWNER. THIS DOCUMENT SHALL BE RETURNED TO OWNER UPON REQUEST. IT MAY BE SUBJECT TO CERTAIN RESTRICTIONS UNDER APPLICABLE EXPORT CONTROL LAWS AND REGULATIONS.</small> | | |

| | | | |
|---|---------|------------|---------|
| TOLERANCES UNLESS OTHERWISE SPECIFIED: | | | |
| DEC. | mm | INCH | ANGLE |
| .X | ±2.5 | [±0.10] | ±7' 30" |
| .XX | ±0.50 | [±0.020] | |
| .XXX | ±0.130 | [±0.0051] | |
| .XXXX | ±0.0130 | [±0.00051] | |
| REMOVE BURRS & BREAK SHARP EDGES: .08/.38 [.003/.015] X 45° | | | |
| CORNER FILLETS: R.50 [.020] | | | |
| MACHINED SURFACES: 200 INCH/mm 5.1 | | | |
| INCH SHOWN IN [BRACKETS] | | | |

| | | | |
|------------------------|-----------------------------------|----------------|--------|
| DRAWN BY | REGAL™ Regal Beloit America, Inc. | | |
| DATE | DESCRIPTION | | |
| APPROVED BY | OUTLINE | | |
| DATE | NOVAMAX, 182/184T, TEFC, RIGID | | |
| REFERENCE | MATERIAL | PROCESS/FINISH | |
| THIRD ANGLE PROJECTION | SIZE | DRAWING NUMBER | SHEET |
| | B | 520-00319 | 1 OF 1 |