

PRODUCT INFORMATION PACKET

Model No: 184TPFSC10307

Catalog No: NM1469

NovaMAX™ EC Permanent Magnet Fan & Blower Motor, 5 HP, 3 Ph, 90 Hz, 460 V, 1800 RPM, 184T Frame,
TEFC



Regal and Marathon are trademarks of Regal Rexnord Corporation or one of its affiliated companies.

©2023 Regal Rexnord Corporation, All Rights Reserved. MC017097E



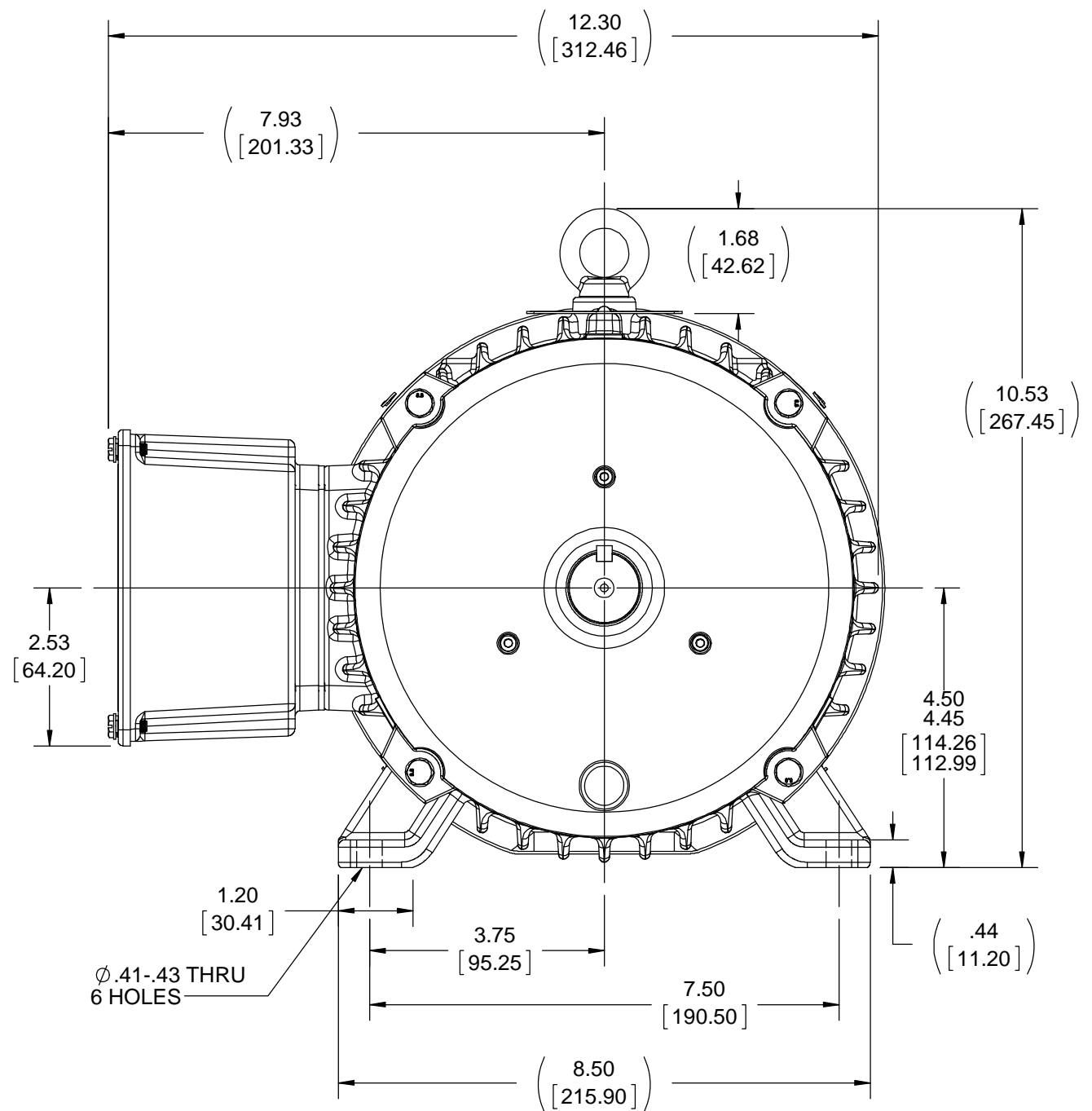
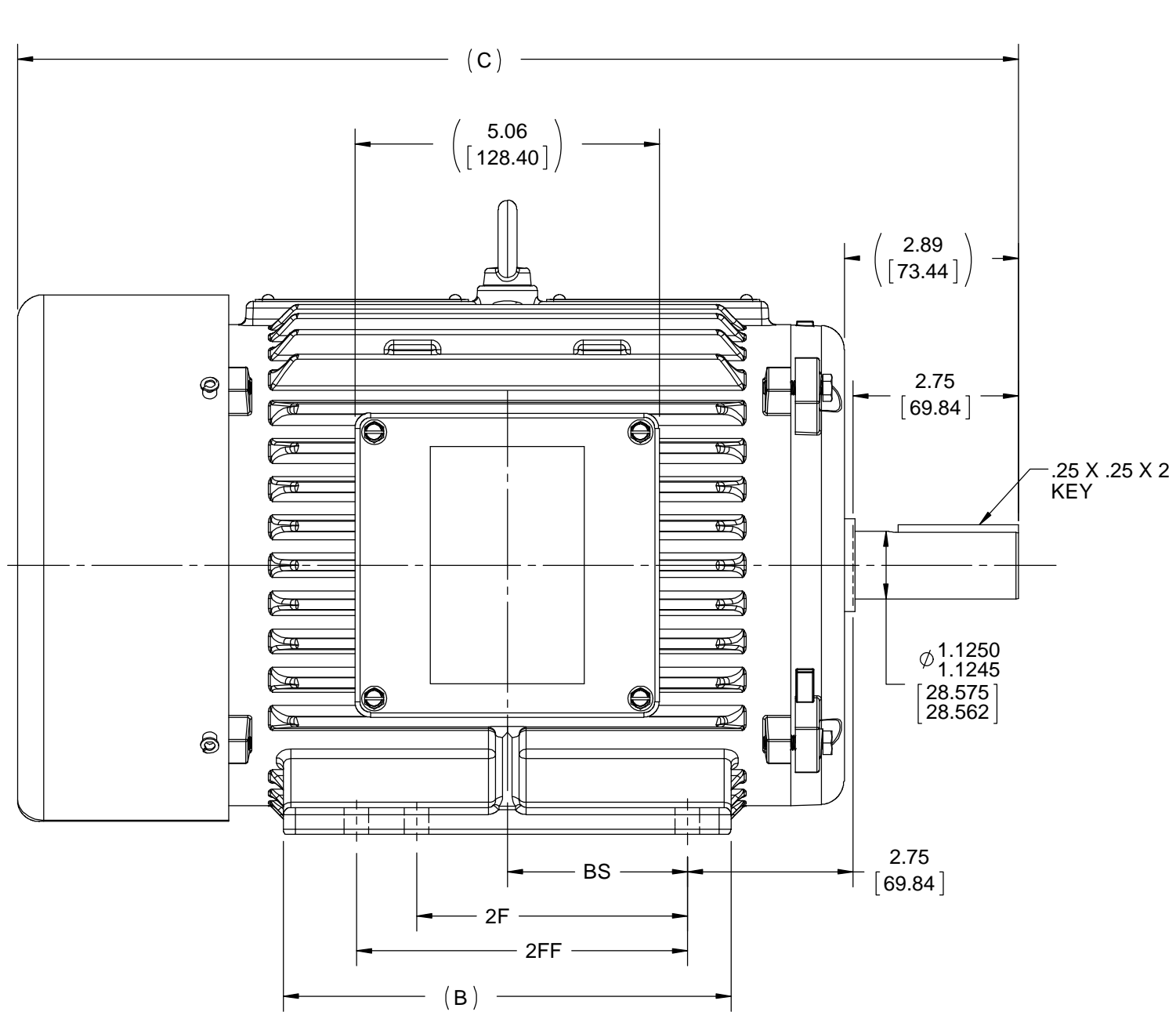
Nameplate Specifications

Phase	3	Output HP	5 Hp
Output KW	3.7 kW	Voltage	460 V
Speed	1800 rpm	Service Factor	1.15
Frame	184T	Enclosure	Totally Enclosed Fan Cooled
Thermal Protection	No Protection	Efficiency	94 %
Ambient Temperature	40 °C	Frequency	90 Hz
Current	6.1 A	Duty	Continuous
Insulation Class	F	Design Code	No Design Code
KVA Code	N/A	Drive End Bearing Size	6207
Opp Drive End Bearing Size	6207	UL	Recognized
CSA	N	CE	N
IP Code	54	Number of Speeds	1

Technical Specifications

Electrical Type	AC Permanent Magnet	Starting Method	Inverter Only
Poles	6	Rotation	Reversible
Resistance Main	0 Ohms	Mounting	Rigid Base
Motor Orientation	Horizontal	Drive End Bearing	Ball
Opp Drive End Bearing	Ball	Frame Material	Cast Iron
Shaft Type	T	Overall Length	16.43 in
Frame Length	9.42 in	Shaft Diameter	1.125 in
Shaft Extension	2.75 in	Assembly/Box Mounting	F1 ONLY
Inverter Load	VARIABLE 20:1		
Outline Drawing	520-00319-9419	Connection Drawing	NA

DASH	FRAME	C	B	2F	2FF	BS
9419	182/184	16.63 [422.28]	7.44 [188.93]	4.50 [114.30]	5.50 [139.70]	2.99 [75.98]



- NOTES: (UNLESS OTHERWISE SPECIFIED)
- ALL DIMENSIONS & TOLERANCES APPLY POST- FINISH OR PLATING.
 - CRITICAL TO FUNCTION DIMENSIONS ARE INSIDE OVAL BORDER. QUERY SOLID MODEL (IGES) FOR COMPLETE PART DEFINITION.

DRAWING REVISION F	REVISION BY GNK	DATE 08/09/2018
ECO ECO-0150486	APPROVED BY GNK	DATE 08/09/2018
DRAWING UPDATED		
<small>COPYRIGHT REGAL BELOIT AMERICA, INC. ALL RIGHTS RESERVED. PROPRIETARY AND CONFIDENTIAL INFORMATION - THIS DOCUMENT IS THE PROPERTY OF REGAL BELOIT AMERICA, INC. ("OWNER") AND CONTAINS OWNER'S PROPRIETARY INFORMATION. ANY PERSON, CORPORATION OR OTHER FIRM RECEIVING IT IS DEEMED, BY RECEIVING IT, TO AGREE THAT IT, AND/OR ANY PART OF IT, SHALL NOT BE DISCLOSED TO ANY PERSON, CORPORATION OR OTHER ENTITY, DUPLICATED, AND/OR USED, EXCEPT AS EXPRESSLY APPROVED IN WRITING IN ADVANCE BY OWNER. THIS DOCUMENT SHALL BE RETURNED TO OWNER UPON REQUEST. IT MAY BE SUBJECT TO CERTAIN RESTRICTIONS UNDER APPLICABLE EXPORT CONTROL LAWS AND REGULATIONS.</small>		

TOLERANCES UNLESS OTHERWISE SPECIFIED:			
DEC.	mm	INCH	ANGLE
.X	±2.5	[±0.10]	±7' 30"
.XX	±0.50	[±0.020]	
.XXX	±0.130	[±0.0051]	
.XXXX	±0.0130	[±0.00051]	
REMOVE BURRS & BREAK SHARP EDGES: .08/.38 [.003/.015] X 45°			
CORNER FILLETS: R.50 [.020]			
MACHINED SURFACES: 200 INCH/mm 5.1			
INCH SHOWN IN [BRACKETS]			

DRAWN BY	REGAL ™ Regal Beloit America, Inc.		
DATE	DESCRIPTION		
APPROVED BY	OUTLINE		
DATE	NOVAMAX, 182/184T, TEFC, RIGID		
REFERENCE	MATERIAL	PROCESS/FINISH	
THIRD ANGLE PROJECTION	SIZE	DRAWING NUMBER	SHEET
	B	520-00319	1 OF 1