

PRODUCT INFORMATION PACKET

Model No: 184TPFSA10095

Catalog No: SY007

SyMAX® Fan & Blower Motor, 5 HP, 3 Ph, 150 Hz, 460 V, 1800 RPM, 184TC Frame, TEFC



Regal and Marathon are trademarks of Regal Rexnord Corporation or one of its affiliated companies.

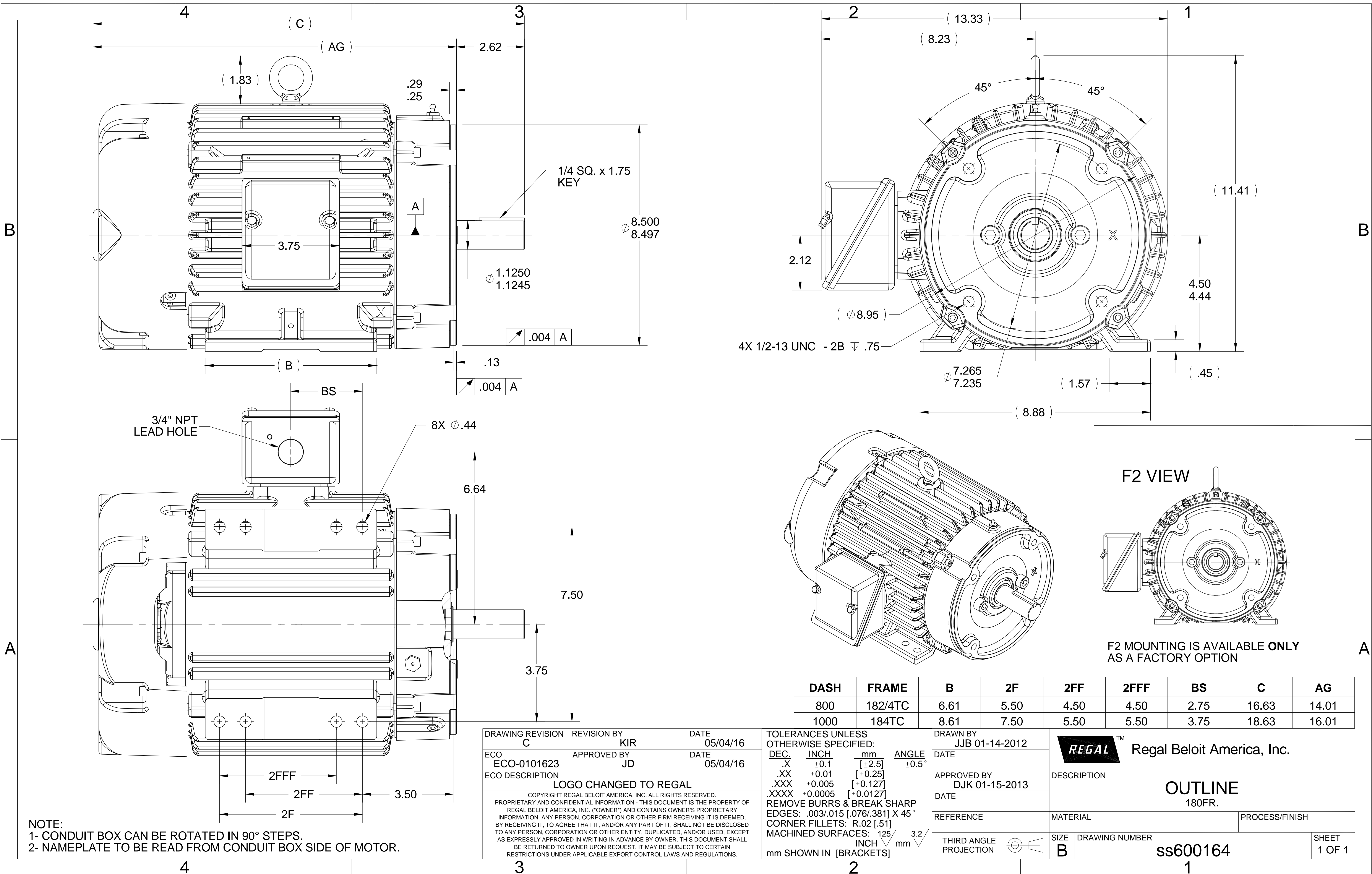
©2023 Regal Rexnord Corporation, All Rights Reserved. MC017097E

Nameplate Specifications

Phase	3	Output HP	5 Hp
Output KW	3.7 kW	Voltage	460 V
Speed	1800 rpm	Service Factor	1
Frame	184TC	Enclosure	Totally Enclosed Fan Cooled
Thermal Protection	Thermostat	Efficiency	91.7 %
Ambient Temperature	40 °C	Frequency	150 Hz
Current	6.4 A	Power Factor	94
Duty	Continuous	Insulation Class	H
Design Code	No Design Code	KVA Code	N/A
Drive End Bearing Size	6207	Opp Drive End Bearing Size	6206
UL	Recognized	CSA	Y
CE	Y	IP Code	54
Number of Speeds	1	Hazardous Location	DIVISION 2 T3

Technical Specifications

Electrical Type	AC Permanent Magnet	Starting Method	Inverter Only
Poles	10	Rotation	Reversible
Resistance Main	0 Ohms	Mounting	Rigid Base
Motor Orientation	Horizontal	Drive End Bearing	Ball
Opp Drive End Bearing	Ball	Frame Material	Cast Iron
Shaft Type	T	Overall Length	16.63 in
Frame Length	8.00 in	Shaft Diameter	1.125 in
Shaft Extension	2.62 in	Assembly/Box Mounting	F1 ONLY
Inverter Load	CONSTANT 20:1		
Connection Drawing	A-EE7300T	Outline Drawing	B-SS600164-800



NOTE:
 1- CONDUIT BOX CAN BE ROTATED IN 90° STEPS.
 2- NAMEPLATE TO BE READ FROM CONDUIT BOX SIDE OF MOTOR.

DRAWING REVISION C	REVISION BY KIR	DATE 05/04/16
ECO ECO-0101623	APPROVED BY JD	DATE 05/04/16
ECO DESCRIPTION LOGO CHANGED TO REGAL		
<small>COPYRIGHT REGAL BELOIT AMERICA, INC. ALL RIGHTS RESERVED. PROPRIETARY AND CONFIDENTIAL INFORMATION - THIS DOCUMENT IS THE PROPERTY OF REGAL BELOIT AMERICA, INC. ("OWNER") AND CONTAINS OWNER'S PROPRIETARY INFORMATION. ANY PERSON, CORPORATION OR OTHER FIRM RECEIVING IT IS DEEMED, BY RECEIVING IT, TO AGREE THAT IT, AND/OR ANY PART OF IT, SHALL NOT BE DISCLOSED TO ANY PERSON, CORPORATION OR OTHER ENTITY, DUPLICATED, AND/OR USED, EXCEPT AS EXPRESSLY APPROVED IN WRITING IN ADVANCE BY OWNER. THIS DOCUMENT SHALL BE RETURNED TO OWNER UPON REQUEST. IT MAY BE SUBJECT TO CERTAIN RESTRICTIONS UNDER APPLICABLE EXPORT CONTROL LAWS AND REGULATIONS.</small>		

TOLERANCES UNLESS OTHERWISE SPECIFIED:

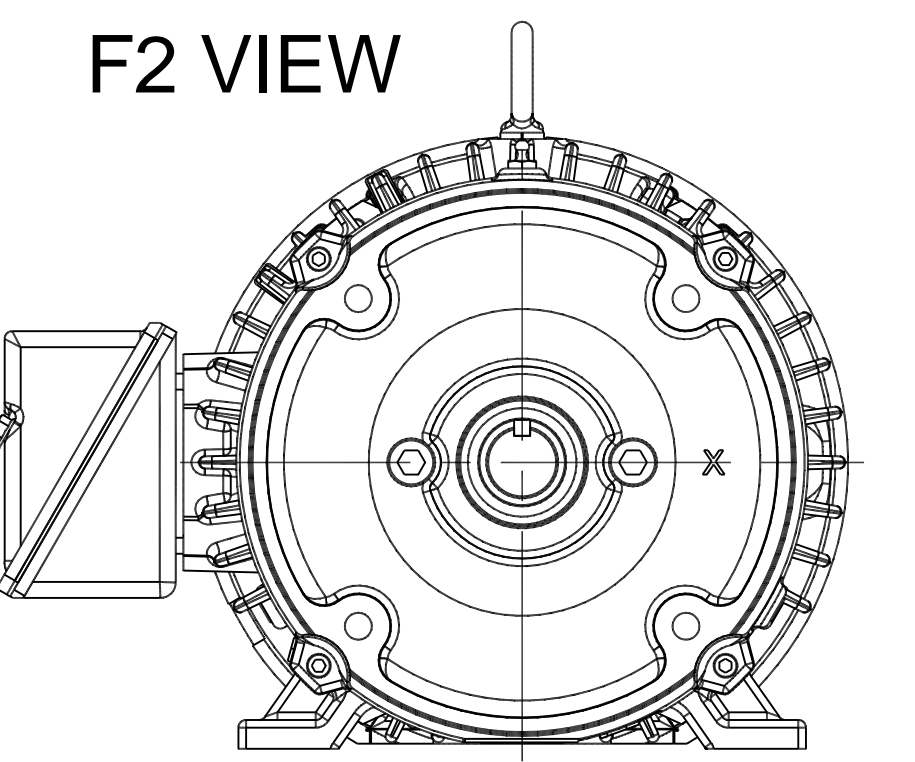
DEC.	INCH	mm	ANGLE
.X	±0.1	[±2.5]	±0.5°
.XX	±0.01	[±0.25]	
.XXX	±0.005	[±0.127]	
.XXXX	±0.0005	[±0.0127]	

REMOVE BURRS & BREAK SHARP EDGES: .003/.015 [0.076/.381] X 45°
 CORNER FILLETS: R.02 [.51]
 MACHINED SURFACES: 125 INCH 3.2 mm

DRAWN BY JJB 01-14-2012
DATE
APPROVED BY DJK 01-15-2013
DATE
REFERENCE
THIRD ANGLE PROJECTION

REGAL ™ Regal Beloit America, Inc.	
DESCRIPTION OUTLINE 180FR.	
MATERIAL	PROCESS/FINISH
SIZE B	DRAWING NUMBER ss600164
SHEET 1 OF 1	

DASH	FRAME	B	2F	2FF	2FFF	BS	C	AG
800	182/4TC	6.61	5.50	4.50	4.50	2.75	16.63	14.01
1000	184TC	8.61	7.50	5.50	5.50	3.75	18.63	16.01



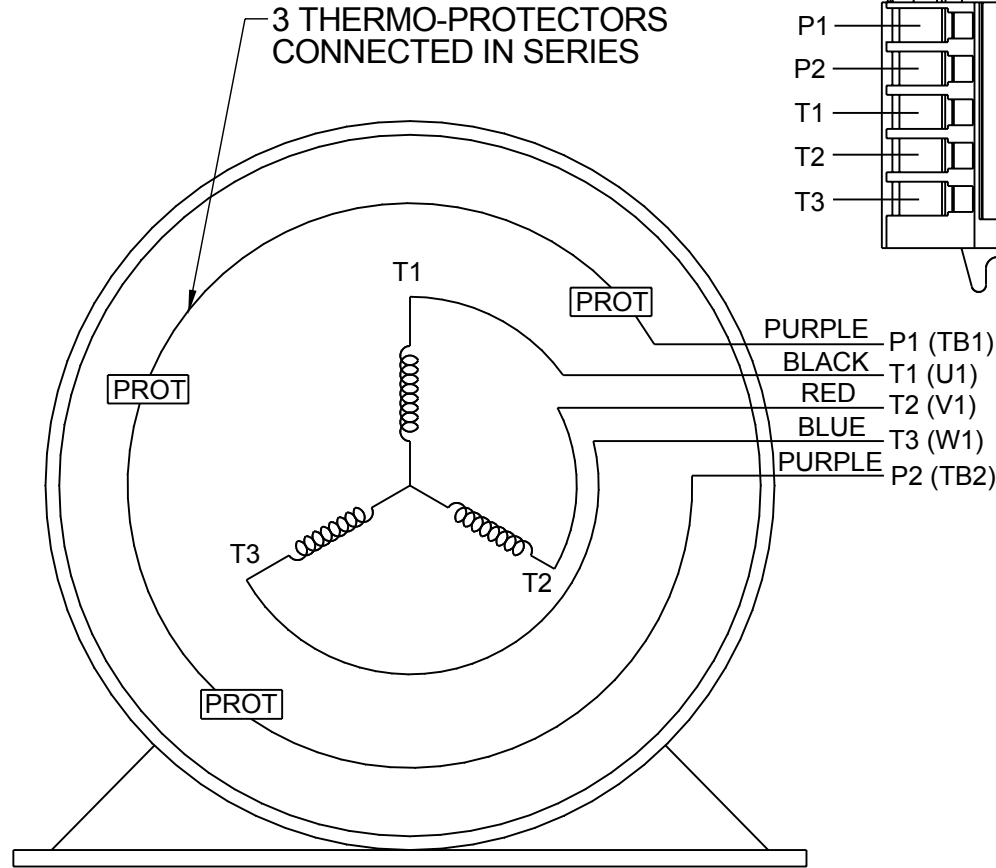
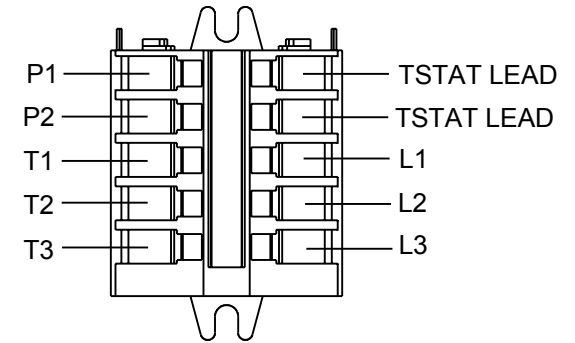
F2 MOUNTING IS AVAILABLE ONLY AS A FACTORY OPTION

**THREE PHASE - SINGLE VOLTAGE
MOTOR - CONDUIT BOX @ 'A'**

**TO REVERSE ROTATION:
INTERCHANGE ANY TWO LINE
LEAD CONNECTIONS**

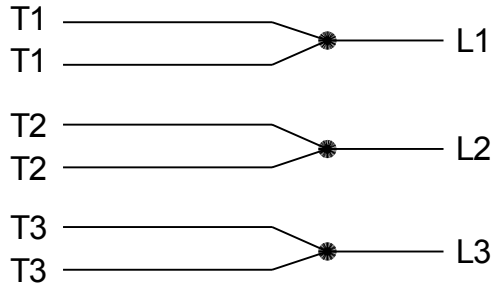
**NOTE FOR FACTORY USE ONLY:
TO SURGE TEST:
FOR 3 LEAD COMMON CONNECT:
CONNECT P1 TO T1 THEN P2 TO L1
FOR 6 LEAD COMMON CONNECT:
CONNECT P1 TO BOTH T1
THEN P2 TO L1**

TERMINAL BLOCK WHEN SPECIFIED



VIEW OF TERMINAL END

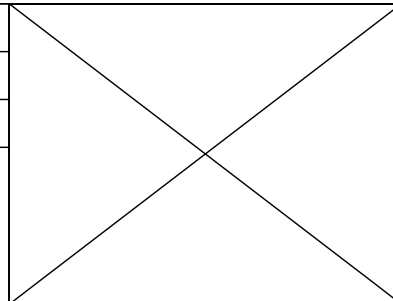
**IF MOTOR HAS MULTIPLE
T'S PER LEAD CONNECT
TOGETHER LIKE T'S**



A-9806 DECAL

- T2BM
- T6AW
- T6AL
- T6Z
- T4EG
- T4BF
- T8A
- T6H
- T6A
- T4AX
- T4A
- T2A
- T2F

DRAWING REVISION AB	REVISION BY AJW	DATE 07-17-2015
ECO ECO-0081632	APPROVED BY T.VUE	DATE 07-17-2015
ECO DESCRIPTION REV'D IEC MARKINGS PER IEC-60034-8		
<small>COPYRIGHT REGAL BELOIT AMERICA, INC. ALL RIGHTS RESERVED. PROPRIETARY AND CONFIDENTIAL INFORMATION - THIS DOCUMENT IS THE PROPERTY OF REGAL BELOIT AMERICA, INC. ("OWNER") AND CONTAINS OWNER'S PROPRIETARY INFORMATION. ANY PERSON, CORPORATION OR OTHER FIRM RECEIVING IT IS DEEMED, BY RECEIVING IT, TO AGREE THAT IT, AND/OR ANY PART OF IT, SHALL NOT BE DISCLOSED TO ANY PERSON, CORPORATION OR OTHER ENTITY, DUPLICATED, AND/OR USED, EXCEPT AS EXPRESSLY APPROVED IN WRITING IN ADVANCE BY OWNER. THIS DOCUMENT SHALL BE RETURNED TO OWNER UPON REQUEST. IT MAY BE SUBJECT TO CERTAIN RESTRICTIONS UNDER APPLICABLE EXPORT CONTROL LAWS AND REGULATIONS.</small>		



DRAWN BY LZ
DATE 01-04-1994
APPROVED BY GK
DATE 01-20-1994
REFERENCE
THIRD ANGLE PROJECTION

REGAL ™ Regal Beloit America, Inc.	
DESCRIPTION CONN DIAGRAM-EXTERNAL 3Ø-SINGLE VOLT-MOTOR WITH PROTECTOR	
MATERIAL	PROCESS/FINISH
SIZE A	DRAWING NUMBER EE7300T
SHEET 1 OF 1	

NONE	P/N	NONE	
NONE	NONE		
NONE FT-LB		NONE V	NONE Hz

DATE: 06/28/2017 06:25:29 AM
FORM 3531 REV.3 02/07/99
** Subject to change without notice.

EC Declaration of Conformity

The undersigned representing
the manufacturer:

Regal Beloit America
100 East Randolph St.
Wausau, WI 54401

and the authorized representative
established within the Community:

Marathon Electric UK
6F Thistleton Road Ind. Estate
Market Overton
Oakham, Rutland LE15 7PP UK

are committed to providing customers with products that comply with applicable regulations and international protocols to which they are subject, including the requirements of the European Parliament Directive on the Harmonization of the laws relating to electrical equipment designed for use within certain voltage limits (2014/35/EU).

Regal Beloit America declares that the following product(s), to which this declaration relates, are in conformity with the relevant sections of the EC standards listed below.

This statement supersedes any statements previously issued pertaining to the product(s) listed below and is subject to change without notice.

Model No : 184TPFSA10095

(Model No. may contain prefix and/or suffix characters)

Catalog No : SY007

Rework No : N/A

Directives :

Low Voltage Directive 2014/35/EU

Harmonized Standards Used :

EN 60034-1: 2010 (IEC 60034-1: 2010)

EN 60034-5: 2001/A1:2007 (IEC 60034-5: 2000/A1:2006)

Authorized Representative:



Michael A. Logsdon
Vice President, Technology

Authorized Representative in the Community:



Julian Clark
Marketing Engineer

Created on 09/01/2022

CE 22