

PRODUCT INFORMATION PACKET

Model No: 184THTL7776

Catalog No: Y540

Black Max® Inverter Duty Speed Ratio Motor, 2 HP, 3 Ph, 60 Hz, 230/460 V, 1200 RPM, 184TC Frame,
TENV



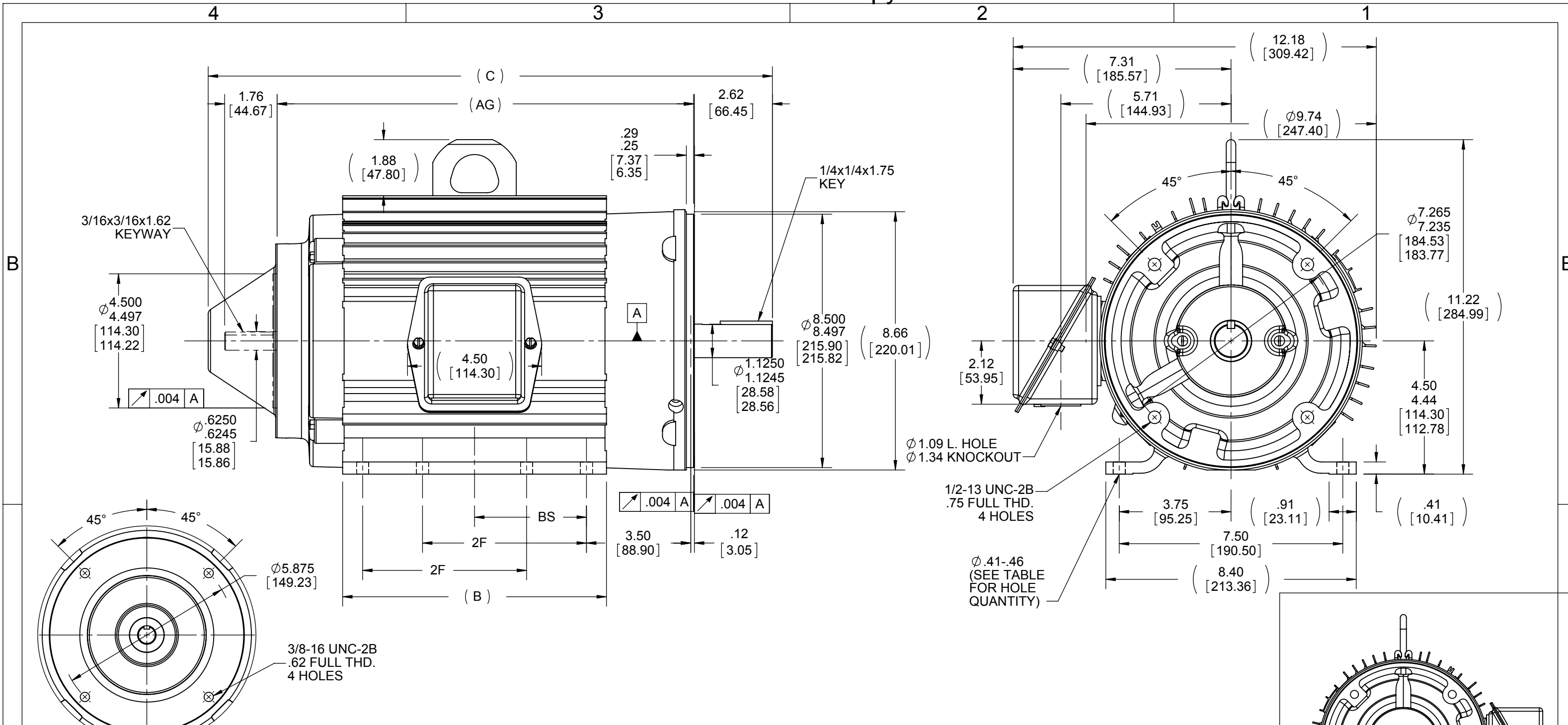
Regal and Marathon are trademarks of Regal Rexnord Corporation or one of its affiliated companies.
©2022 Regal Rexnord Corporation, All Rights Reserved. MC017097E

Nameplate Specifications

Output HP	2 Hp	Output KW	1.5 kW
Frequency	60 Hz	Voltage	230/460 V
Current	6.6/3.3 A	Speed	1160 rpm
Service Factor	1	Phase	3
Efficiency	82.5 %	Power Factor	67.5
Duty	Continuous	Insulation Class	F
Design Code	INV	KVA Code	L
Frame	184TC	Enclosure	Totally Enclosed Non Ventilated
Thermal Protection	Thermostat	Ambient Temperature	40 °C
Drive End Bearing Size	6207	Opp Drive End Bearing Size	6206
UL	Recognized	CSA	Y
CE	Y	IP Code	43
Number of Speeds	1		

Technical Specifications

Electrical Type	Squirrel Cage Inverter Duty	Starting Method	Inverter Only
Poles	6	Rotation	Reversible
Resistance Main	6.45 Ohms	Mounting	Rigid Base
Motor Orientation	Horizontal	Drive End Bearing	Ball
Opp Drive End Bearing	Ball	Frame Material	Aluminum
Shaft Type	T	Overall Length	16.93 in
Frame Length	6.75 in	Shaft Diameter	1.125 in
Shaft Extension	2.62 in	Assembly/Box Mounting	F1/F2 CAPABLE
Inverter Load	CONSTANT 1000:1		
Connection Drawing	A-EE7308T	Outline Drawing	B-SS68967-675A



- NOTES:
 1- C'BOX CAN BE ROTATED IN 90° STEPS.
 2- C'BOX CAN BE MOUNTED ON OPPOSITE SIDE BY REMOVING BRACKETS AND TURNING FRAME 180°.
 3- NAMEPLATE TO BE READ FROM C'BOX SIDE OF MOTOR.

575	182TC	15.93	11.00	5.85	4.50	2.25	8	F1 OR F2
675	182TC	16.93	12.00	6.85	4.50	2.75	8	F1 OR F2
675	184TC	16.93	12.00	6.85	4.50	2.75	8	F1 OR F2
675A	184TC	16.93	12.00	6.85	5.50	2.75	4	F1 OR F2
720	182TC	17.38	12.45	7.30	4.50	2.98	8	F1 OR F2
720	182TC	17.38	12.45	7.30	4.50	2.98	4	F1 ONLY
775	184TC	17.93	13.00	7.85	5.50	3.25	8	F1 OR F2
875	182TC	18.93	14.00	8.85	4.50	3.75	8	F1 OR F2
875	184TC	18.93	14.00	8.85	5.50	3.75	8	F1 OR F2
925	184TC	19.43	14.50	9.35	5.50	4.00	8	F1 OR F2
DASH	FRAME	C	AG	B	2F	BS	FOOT HOLES	MTG.

DRAWING REVISION H	REVISION BY SAI	DATE 04/04/2014
ECO ECO-0048883	APPROVED BY SR	DATE 04/04/2014
ECO DESCRIPTION DASH 675 ADDED-184TC		
<small>COPYRIGHT REGAL BELOIT AMERICA, INC. ALL RIGHTS RESERVED. PROPRIETARY AND CONFIDENTIAL INFORMATION - THIS DOCUMENT IS THE PROPERTY OF REGAL BELOIT AMERICA, INC. ("OWNER") AND CONTAINS OWNER'S PROPRIETARY INFORMATION. ANY PERSON, CORPORATION OR OTHER FIRM RECEIVING IT IS DEEMED, BY RECEIVING IT, TO AGREE THAT IT, AND/OR ANY PART OF IT, SHALL NOT BE DISCLOSED TO ANY PERSON, CORPORATION OR OTHER ENTITY, DUPLICATED, AND/OR USED, EXCEPT AS EXPRESSLY APPROVED IN WRITING IN ADVANCE BY OWNER. THIS DOCUMENT SHALL BE RETURNED TO OWNER UPON REQUEST. IT MAY BE SUBJECT TO CERTAIN RESTRICTIONS UNDER APPLICABLE EXPORT CONTROL LAWS AND REGULATIONS.</small>		

TOLERANCES UNLESS OTHERWISE SPECIFIED:			
DEC.	INCH	mm	ANGLE
.X	±0.1	[±2.5]	±7° 30"
.XX	±0.03	[±0.76]	
.XXX	±0.005	[±0.127]	
.XXXX	±0.0005	[±0.0127]	
REMOVE BURRS & BREAK SHARP EDGES: .003/.015 [0.076/.381] CORNER FILLETS: .02 [0.51] MACHINED SURFACES: 200 INCH/mm 5.1 mm SHOWN IN [BRACKETS]			

DRAWN BY CAV
DATE 06-23-2000
APPROVED BY GK
DATE 06-23-2000
PROCESS/FINISH
THIRD ANGLE PROJECTION

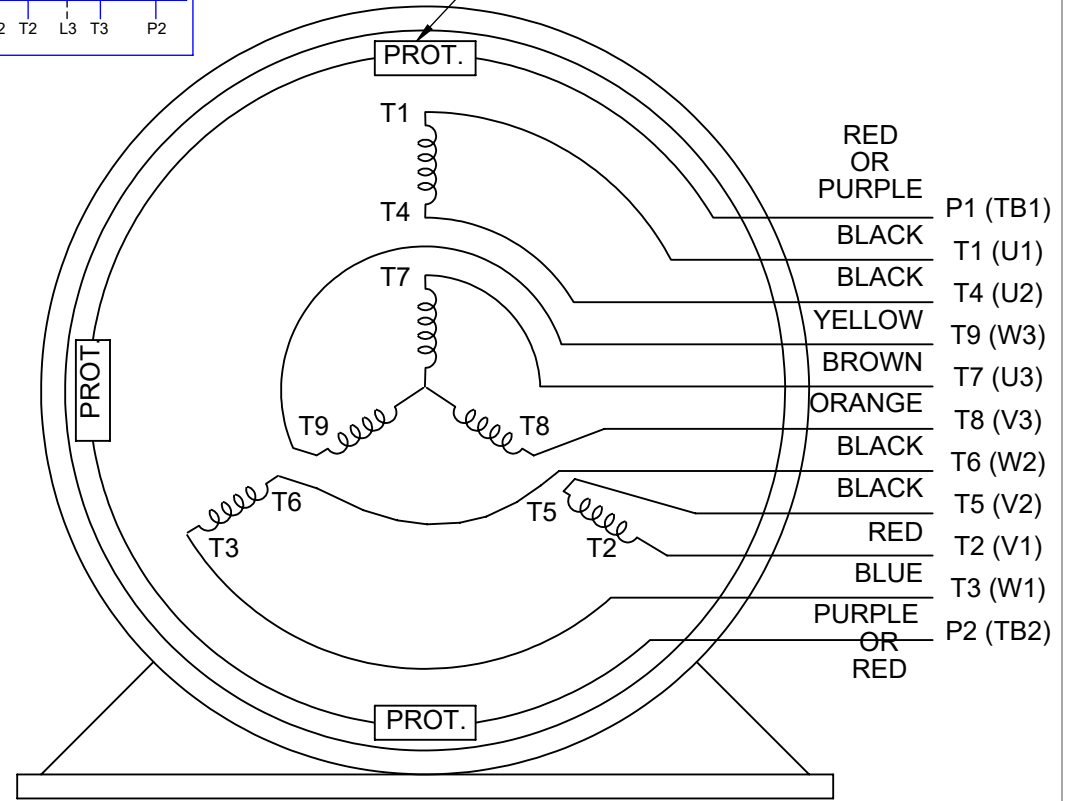
REGAL ™ Regal Beloit America, Inc.	
DESCRIPTION	OUTLINE
MATERIAL	
SIZE B	DRAWING NUMBER SS68967
SHEET 1 OF 1	

HIGH VOLTAGE



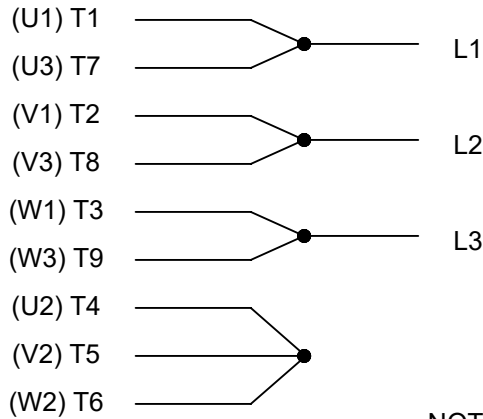
**THREE PHASE
DUAL VOLTAGE MOTOR**

THERMO-PROTECTORS
CONNECTED IN SERIES



NOTE FOR FACTORY USE ONLY:
TO SURGE TEST FOR COMMON CONNECT:
HIGH VOLT: CONNECT P1 TO T1
THEN P2 TO L1
LOW VOLT: CONNECT P1 TO T1 & T7,
THEN P2 TO L1

LOW VOLTAGE



VIEW OF TERMINAL END

NOTE: LEAD'S COLOR CAN BE YELLOW OR WHITE FOR MT2 PLANT

DRAWING REVISION T	REVISION BY ZR	DATE 01-14-2019		DRAWN BY SMC	Regal Beloit America, Inc.
ECO ECO-0159915	APPROVED BY DR	DATE 01-15-2019		DATE 05-13-1992	
ECO DESCRIPTION ADDED TERMINAL CONNECTION DIAGRAM				APPROVED BY TB	DESCRIPTION CONN DIAGRAM-INTERNAL 3 PHASE - DUAL VOLTAGE MOTOR
<small>COPYRIGHT REGAL BELOIT AMERICA, INC. ALL RIGHTS RESERVED. PROPRIETARY AND CONFIDENTIAL INFORMATION - THIS DOCUMENT IS THE PROPERTY OF REGAL BELOIT AMERICA, INC. ("OWNER") AND CONTAINS OWNER'S PROPRIETARY INFORMATION. ANY PERSON, CORPORATION OR OTHER FIRM RECEIVING IT IS DEEMED, BY RECEIVING IT, TO AGREE THAT IT, AND/OR ANY PART OF IT, SHALL NOT BE DISCLOSED TO ANY PERSON, CORPORATION OR OTHER ENTITY, DUPLICATED, AND/OR USED, EXCEPT AS EXPRESSLY APPROVED IN WRITING IN ADVANCE BY OWNER. THIS DOCUMENT SHALL BE RETURNED TO OWNER UPON REQUEST. IT MAY BE SUBJECT TO CERTAIN RESTRICTIONS UNDER APPLICABLE EXPORT CONTROL LAWS AND REGULATIONS.</small>				DATE 05-13-1992	MATERIAL
			REFERENCE EE7308/EE7300	SIZE A	DRAWING NUMBER EE7308T

CERTIFICATION DATA SHEET

Model#: 184THTL7776 BE **WINDING#:** K184656 NONE 1
CONN. DIAGRAM: A-EE7308T **ASSEMBLY:** F1/F2 CAPABLE
OUTLINE: B-SS68967-675A

TYPICAL MOTOR PERFORMANCE DATA

HP	KW	SYNC. RPM	F.L. RPM	FRAME	ENCLOSURE	KVA CODE	DESIGN		
2	1.49	1200	1160	184TC	TENV	L	INV		
PH	Hz	VOLTS	FL AMPS	START TYPE	DUTY	INSL	S.F	AMB°C	ELEVATION
3	60	230/460	6.6/3.3	INVERTER ONLY	CONTINUOUS	F3	1.0	40	3300
FULL LOAD EFF: 82.5	3/4 LOAD EFF: 82.5	1/2 LOAD EFF: 80	GTD. EFF	ELEC. TYPE	NO LOAD AMPS				
FULL LOAD PF: 67.5	3/4 LOAD PF: 59.5	1/2 LOAD PF: 47	80	SQ CAGE INV DUTY	4.2 / 2.1				
F.L. TORQUE	LOCKED ROTOR AMPS	L.R. TORQUE	B.D. TORQUE	F.L. RISE°C					
9.1 LB-FT	47 / 23.5	21 LB-FT 231	34 LB-FT 374	70					
SOUND PRESSURE @ 3 FT.	SOUND POWER	ROTOR WK^2	MAX. WK^2	SAFE STALL TIME	STARTS /HOUR	APPROX. MOTOR WGT			
60 dBA	70 dBA	0.38 LB-FT^2	0 LB-FT^2	0 SEC.	0	88 LBS.			

EQUIVALENT WYE CKT.PARAMETERS (OHMS PER PHASE)

R1	R2	X1	X2	XM
3.9476	3.4364	7.7248	12.1126	116.866
RM	ZREF	XR	TD	TD0
6745	142	2.2	0.0074	0.1

***** SUPPLEMENTAL INFORMATION *****

DE BRACKET TYPE	ODE BRACKET TYPE	MOUNT TYPE	ORIENTATION	SEVERE DUTY	HAZARDOUS LOCATION	DRIP COVER	SCREENS	PAINT
C-FACE	BRAKE OR ENCODER	RIGID	HORIZONTAL	FALSE	NONE	FALSE	NONE	BLACK (ENAMEL)

BEARINGS		GREASE	SHAFT TYPE	SPECIAL DE	SPECIAL ODE	SHAFT MATERIAL	FRAME MATERIAL
DE	OPE	POLYREX EM	T	NONE	NONE	1144 STRESSPROOF (C-223)	ALUMINUM
BALL	BALL						
6207	6206						

THERMO-PROTECTORS				THERMISTORS	CONTROL	SPACE /n HEATERS
THERMOSTATS	PROTECTORS	WDG RTDs	BRG RTDs	NONE	FALSE	NONE VOLTS
TSTATS (N/C)	NOT	NONE	NONE			

If Inverter equals NONE, contact factory for further information

INVERTER TORQUE: CONSTANT 1000:1
INV. HP SPEED RANGE: 2.0 X BASE SPEED
ENCODER: PROVISIONS ONLY
NONE NONE
NONE NONE PPR
BRAKE: PROVISIONS ONLY NONE

*
N
O
T
E
S
*

NONE	P/N	NONE	
NONE		NONE	
NONE FT-LB		NONE V	NONE Hz

DATE: 06/28/2017 06:22:06 AM
FORM 3531 REV.3 02/07/99
** Subject to change without notice.

Data Sheet

Date: 19-06-2017
 Customer: _____
 Attention: _____
 Submitted by: FAREEDA DUDEKULA



184THTL7776

Submittal

Data @ 460 V

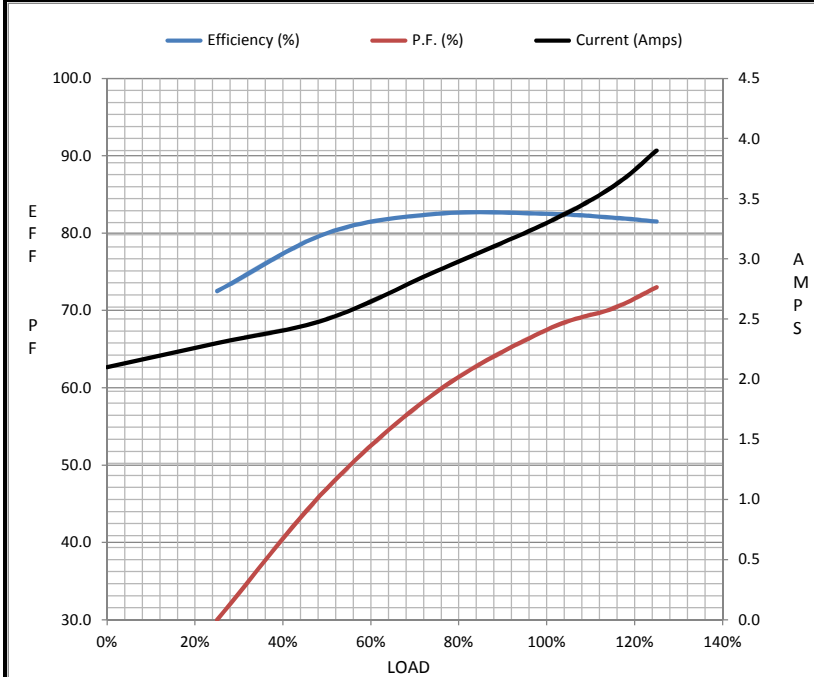
Motor Load Data

Load	0%	25%	50%	75%	100%	115%	125%	LR
Current (Amps)	2.10	2.30	2.50	2.90	3.3	3.6	3.9	23.5
Torque (ft-lb)	0.00	2.20	4.5	6.7	9.1	10.3	11.5	21.0
RPM	1200	1190	1180	1170	1160	1,154	1145	0
Efficiency (%)		72.5	80.0	82.5	82.5	82.0	81.5	
P.F. (%)	8.0	30.0	47.0	59.5	67.5	70.3	73.0	55.0

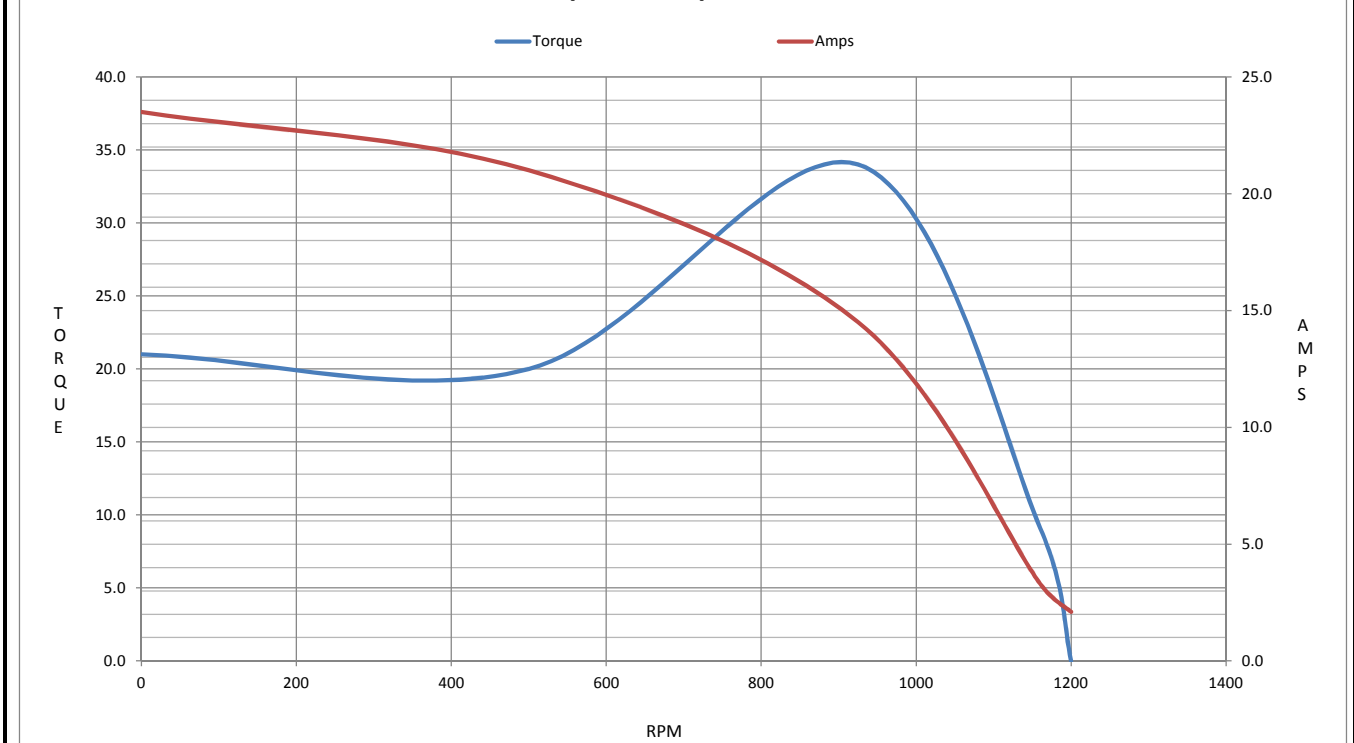
Motor Speed Data

	LR	Pull-Up	BD	Rated	Idle
Speed (RPM)	0	500	925	1160	1200
Current (Amps)	23.5	21.0	14.5	3.3	2.10
Torque (ft-lb)	21.0	20.0	34.0	9.1	0.00

Information Block				
HP	2.0			
Sync. RPM	1200			
Frame	184			
Enclosure	TENV			
Construction	TTL			
Voltage	230/460 V			
Frequency	60 Hz			
Design	B			
LR Code letter	L			
Service Factor	1.15			
Temp Rise @ FL	70 ° C			
Duty	CONT			
Ambient	40 ° C			
Elevation	1,000 feet			
Rotor/Shaft wk ²	0.38 Lb-Ft ²			
Ref Wdg	K184656 NONE			
Sound Pressure @ 1M	60 dBA			
VFD Rating	CONSTANT 1000:1			
Outline Dwg	B-SS68967-675A			
Conn. Diag	A-EE7308T			
Additional Specifications:				
0				
365THFS8036				
EQUIV CKT (OHMS / PHASE)				
R1	R2	X1	X2	Xm
3.9480	3.4360	7.7250	12.1130	116.8660



Speed - Torque Curve



EC Declaration of Conformity

The undersigned representing
the manufacturer:

Regal Beloit America
100 East Randolph St.
Wausau, WI 54401

and the authorized representative
established within the Community:

Marathon Electric UK
6F Thistleton Road Ind. Estate
Market Overton
Oakham, Rutland LE15 7PP UK

are committed to providing customers with products that comply with applicable regulations and international protocols to which they are subject, including the requirements of the European Parliament Directive on the Harmonization of the laws relating to electrical equipment designed for use within certain voltage limits (2014/35/EU).

Regal Beloit America declares that the following product(s), to which this declaration relates, are in conformity with the relevant sections of the EC standards listed below.

This statement supersedes any statements previously issued pertaining to the product(s) listed below and is subject to change without notice.

Model No : 184THTL7776

(Model No. may contain prefix and/or suffix characters)

Catalog No : Y540

Rework No : N/A

Directives :

Low Voltage Directive 2014/35/EU

Harmonized Standards Used :

EN 60034-1: 2010 (IEC 60034-1: 2010)

EN 60034-5: 2001/A1:2007 (IEC 60034-5: 2000/A1:2006)

Authorized Representative:



Michael A. Logsdon
Vice President, Technology

Authorized Representative in the Community:



Julian Clark
Marketing Engineer

Created on 09/01/2022

CE 22