

PRODUCT INFORMATION PACKET

Model No: 184THFS19006

Catalog No: W524

Severe Duty Motors, TEFC, 5 HP, 3 Ph, 60 Hz, 575 V, 3505 RPM, 184T Frame



Regal and are trademarks of Regal Rexnord Corporation or one of its affiliated companies.
©2022 Regal Rexnord Corporation, All Rights Reserved. MC017097E

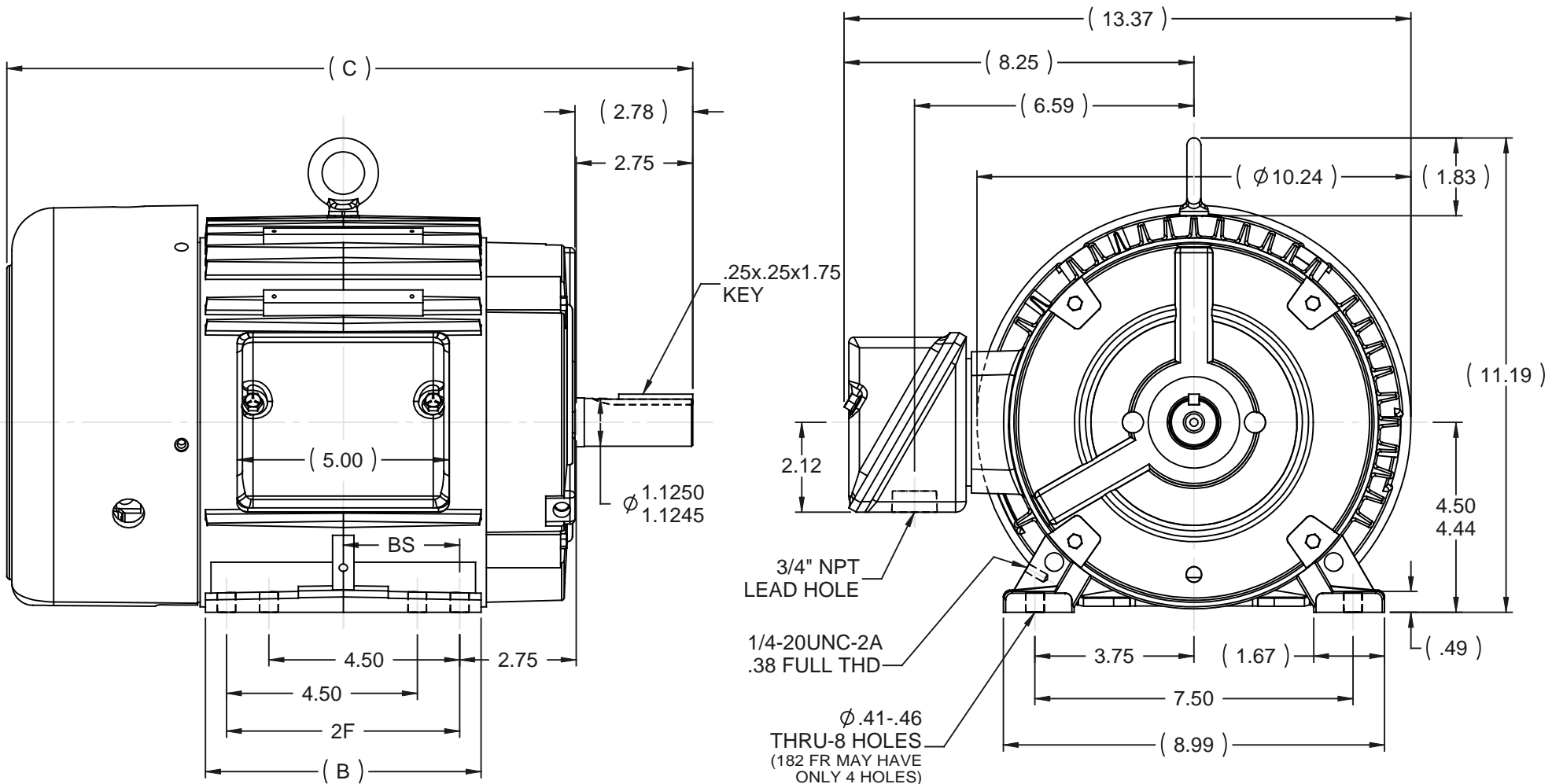
Nameplate Specifications

Output HP	5 Hp	Output KW	3.7 kW
Frequency	60 Hz	Voltage	575 V
Current	4.7 A	Speed	3505 rpm
Service Factor	1.15	Phase	3
Efficiency	88.5 %	Power Factor	88.5
Duty	Continuous	Insulation Class	F
Design Code	B	KVA Code	J
Frame	184T	Enclosure	Totally Enclosed Fan Cooled
Thermal Protection	No Protection	Ambient Temperature	40 °C
Drive End Bearing Size	6206	Opp Drive End Bearing Size	6205
UL	Recognized	CSA	Y
CE	Y	IP Code	56
Number of Speeds	1		

Technical Specifications

Electrical Type	Squirrel Cage Inverter Rated	Starting Method	Line Or Inverter
Poles	2	Rotation	Reversible
Resistance Main	2.32 Ohms	Mounting	Rigid Base
Motor Orientation	Horizontal	Drive End Bearing	Ball
Opp Drive End Bearing	Ball	Frame Material	Cast Iron
Shaft Type	T	Overall Length	16.18 in
Frame Length	6.75 in	Shaft Diameter	1.125 in
Shaft Extension	2.78 in	Assembly/Box Mounting	F1/F2 Capable
Outline Drawing	A-SS69971-675	Connection Drawing	A-EE7300

This is an uncontrolled document once printed or downloaded and is subject to change without notice. Date Created:05/11/2022



.25x.25x1.75
KEY

3/4" NPT
LEAD HOLE

1/4-20UNC-2A
.38 FULL THD

Ø .41-.46
THRU-8 HOLES
(182 FR MAY HAVE
ONLY 4 HOLES)

- NOTES:
1. CONDUIT BOX CAN BE ROTATED IN 90° STEPS.
 2. CONDUIT BOX CAN BE MOUNTED ON OPPOSITE SIDE BY REMOVING BRACKETS AND TURNING FRAME 180°
 3. NAMEPLATES TO BE READ FROM CONDUIT BOX SIDE OF MOTOR.

DASH	FRAME	B	C	BS	2F	MOUNTING
575	182T	5.50	15.18	2.25	4.50	F1 ONLY
675	182T	6.50	16.18	2.75	5.50	F1 ONLY
675	184T	6.50	16.18	2.75	5.50	F1 OR F2

		TOLERANCES UNLESS SPECIFIED				DRAWN TJW 5/19/2009	
		DEC	INCHES			CHK CTO 5/19/2009	
		.X	±.1			APPR EH 5/19/2009	
		.XX	±.03			SCALE 9:32	
		.XXX	±.005			REF SS68446	
		.XXXX	±.0005	MAT'L		FMF CN09-1258	
NO	REVISION	BY & DATE	CHK	ANG ±7'30"	FINISH	PAGE OF	
THIRD ANGLE PROJECTION		RFP 5/19/2009		PREV	SIZE A		DRAWING NO SS69971
		NETWORK FILE NAME SS69971				REV	

**THREE PHASE - SINGLE VOLTAGE
MOTOR - CONDUIT BOX @ 'A'**

**TO REVERSE ROTATION:
INTERCHANGE ANY TWO
LINE LEAD CONNECTIONS.**

TERMINAL BLOCK WHEN SPECIFIED



VIEW OF TERMINAL END

**IF MOTOR HAS
6 LEADS**



A-9806 DECAL

**OPTIONAL CORD
CONNECTION**

- L1 _____ WHITE
- L2 _____ RED
- L3 _____ BLACK

DRAWING REVISION AB	REVISION BY JJB	DATE 06-27-2017
ECO ECO-0125361	APPROVED BY TB	DATE 06-27-2017
ECO DESCRIPTION UPDATED TO CURRENT STANDARDS		
<small>COPYRIGHT REGAL BELOIT AMERICA, INC. ALL RIGHTS RESERVED. PROPRIETARY AND CONFIDENTIAL INFORMATION - THIS DOCUMENT IS THE PROPERTY OF REGAL BELOIT AMERICA, INC. ("OWNER") AND CONTAINS OWNER'S PROPRIETARY INFORMATION. ANY PERSON, CORPORATION OR OTHER FIRM RECEIVING IT IS DEEMED, BY RECEIVING IT, TO AGREE THAT IT, AND/OR ANY PART OF IT, SHALL NOT BE DISCLOSED TO ANY PERSON, CORPORATION OR OTHER ENTITY, DUPLICATED, AND/OR USED, EXCEPT AS EXPRESSLY APPROVED IN WRITING IN ADVANCE BY OWNER. THIS DOCUMENT SHALL BE RETURNED TO OWNER UPON REQUEST. IT MAY BE SUBJECT TO CERTAIN RESTRICTIONS UNDER APPLICABLE EXPORT CONTROL LAWS AND REGULATIONS.</small>		



DRAWN BY DA
DATE 03-26-1993
APPROVED BY TB
DATE 03-26-1993
REFERENCE
THIRD ANGLE PROJECTION

Regal Beloit America, Inc.	
MATERIAL	PROCESS/FINISH
SIZE A	DRAWING NUMBER EE7300
SHEET 1 OF 1	

Data Sheet

Date: 20-06-2017
 Customer: _____
 Attention: _____
 Submitted by: FAREEDA DUDEKULA



184THFS19006

Submittal

Data @ 575 V

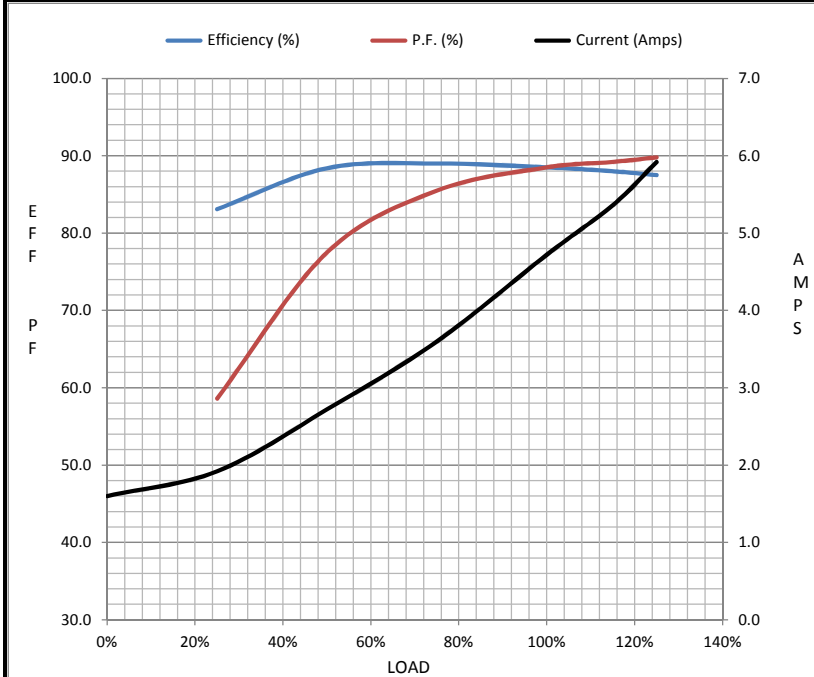
Motor Load Data

Load	0%	25%	50%	75%	100%	115%	125%	LR
Current (Amps)	1.60	1.92	2.72	3.6	4.7	5.4	5.9	32.4
Torque (ft-lb)	0.00	1.80	3.7	5.5	7.5	8.6	9.4	12.0
RPM	3600	3580	3560	3535	3505	3,490	3480	0
Efficiency (%)		83.1	88.4	89.0	88.5	88.0	87.5	
P.F. (%)	11.5	58.6	77.5	85.5	88.5	89.2	89.8	41.0

Motor Speed Data

	LR	Pull-Up	BD	Rated	Idle
Speed (RPM)	0	1800	3000	3505	3600
Current (Amps)	32.4	29.6	20.4	4.7	1.60
Torque (ft-lb)	12.0	10.5	22.0	7.5	0.00

Information Block				
HP	5.0			
Sync. RPM	3600			
Frame	184			
Enclosure	TEFC			
Construction	TFS			
Voltage	575 V			
Frequency	60 Hz			
Design	B			
LR Code letter	J			
Service Factor	1.15			
Temp Rise @ FL	50 ° C			
Duty	CONT			
Ambient	40 ° C			
Elevation	1,000 feet			
Rotor/Shaft wk ²	0.30 Lb-Ft ²			
Ref Wdg	1842116 NONE			
Sound Pressure @ 1M	72 dBA			
VFD Rating	CONSTANT 2:1			
Outline Dwg	A-SS69971-675			
Conn. Diag	A-EE7300			
Additional Specifications:				
0				
365THFS8036				
EQUIV CKT (OHMS / PHASE)				
R1	R2	X1	X2	Xm
2.1740	1.7660	7.5170	2.8840	195.2500



Speed - Torque Curve

