

PRODUCT INFORMATION PACKET

Model No: 184TCFR7061

Catalog No: Z120

General Purpose Farm Duty Motor, 3 HP, 1 Ph, 60 Hz, 230 V, 1800 RPM, 184T Frame, TEFC



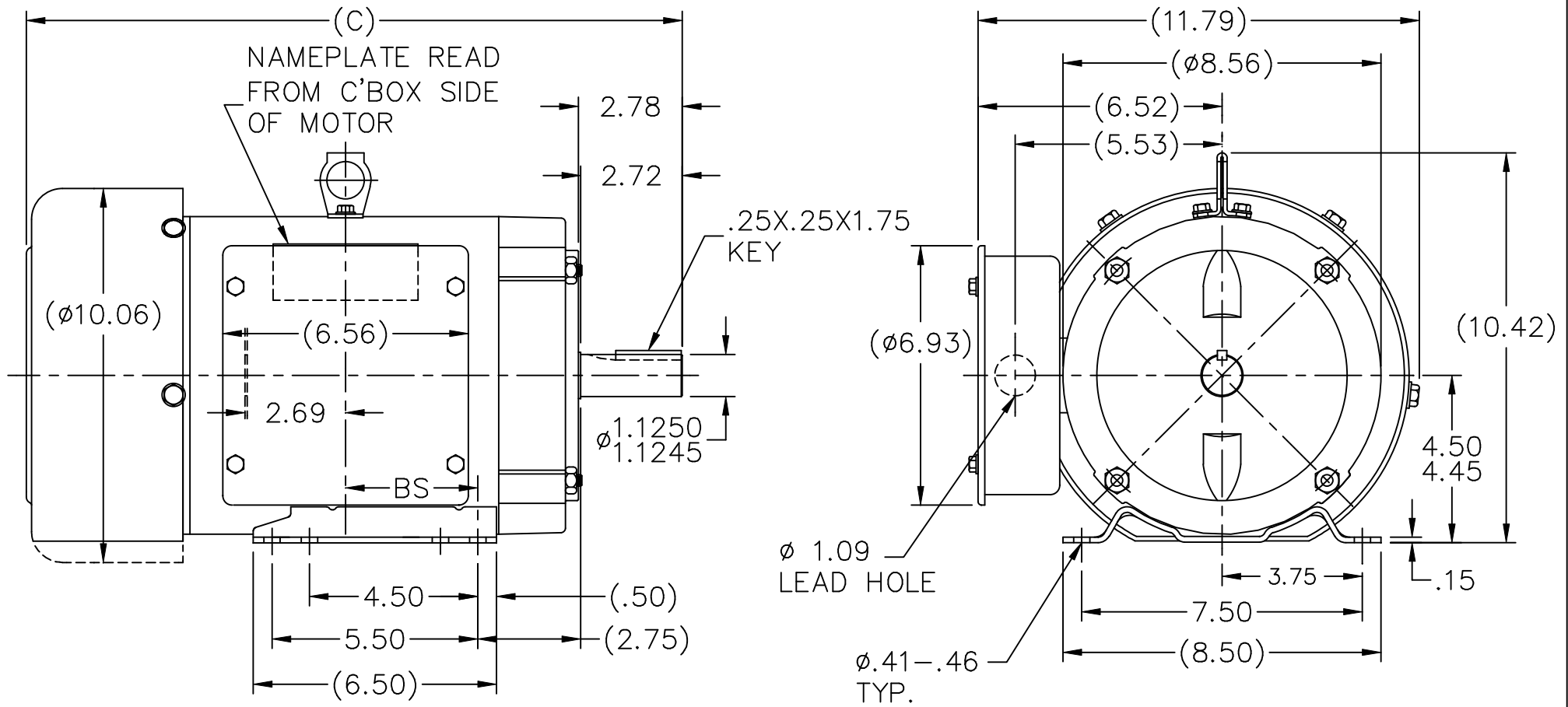
Regal and are trademarks of Regal Rexnord Corporation or one of its affiliated companies.
©2022 Regal Rexnord Corporation, All Rights Reserved. MC017097E

Nameplate Specifications

Output HP	3 Hp	Output KW	2.2 kW
Frequency	60 Hz	Voltage	230 V
Current	17.0 A	Speed	1750 rpm
Service Factor	1.15	Phase	1
Efficiency	77 %	Power Factor	72.7
Duty	Continuous	Insulation Class	B
Design Code	L	KVA Code	K
Frame	184T	Enclosure	Totally Enclosed Fan Cooled
Thermal Protection	Manual	Ambient Temperature	40 °C
Drive End Bearing Size	6206	Opp Drive End Bearing Size	6205
UL	Recognized (Not Protector)	CSA	Y
CE	Y	IP Code	43
Number of Speeds	1		

Technical Specifications

Electrical Type	Capacitor Start Induction Run	Starting Method	Across The Line
Poles	4	Rotation	Selective Counterclockwise
Resistance Main	0 Ohms	Mounting	Rigid Base
Motor Orientation	Horizontal	Drive End Bearing	Ball
Opp Drive End Bearing	Ball	Frame Material	Rolled Steel
Shaft Type	T	Overall Length	18.03 in
Frame Length	8.75 in	Shaft Diameter	1.125 in
Shaft Extension	2.75 in	Assembly/Box Mounting	F1 ONLY
Outline Drawing	A-SS65660-875	Connection Drawing	A-EE7090JN



DASH	FR.	C	BS	DASH	FR.	C	BS
575	182T	15.03	2.25	675	184T	16.03	2.75
625	182T	15.53	2.50	775	184T	17.03	3.25
675	182T	16.03	2.75	825	184T	17.53	3.50
725	182T	16.53	3.00	875	184T	18.03	3.75

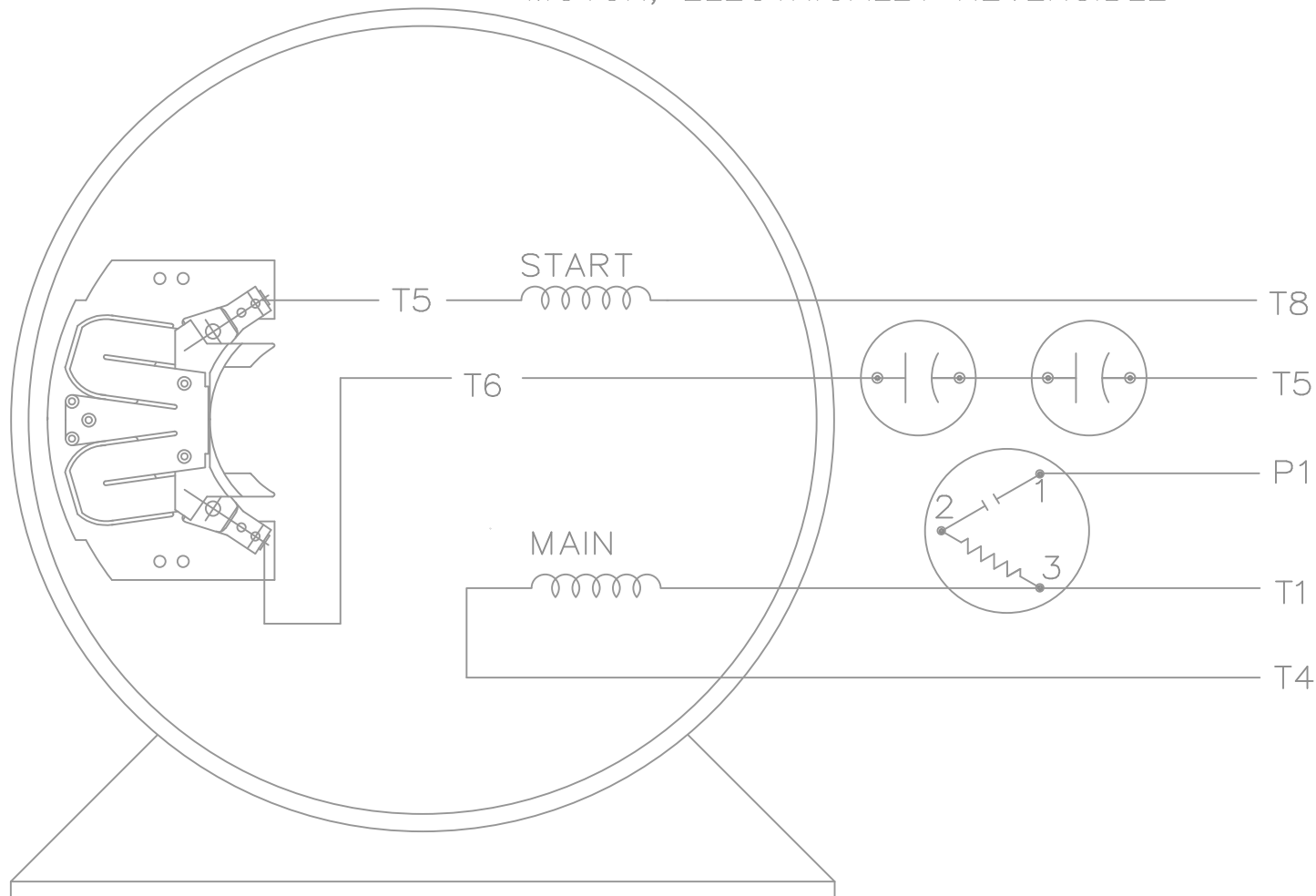
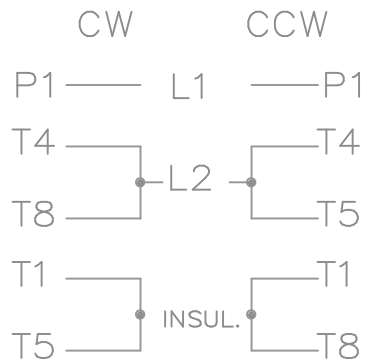
BOX CAN BE ROTATED IN 90° STEPS.

NO.	REVISION	BY & DATE	CHK	TOLERANCES UNLESS SPECIFIED	
				DEC.	INCHES
8	REDRAWN IN AUTOCAD	TAT 06-13-2005	ML	.X	$\pm .1$
7	ADDED LIFT LUG CN 34025	NJS 07-11-2001		.XX	$\pm .03$
6	CORRECTED 'C' DIMENSION CN 31178	TJB 06-18-2001		.XXX	$\pm .005$
5	REMOVED EYEBOLT	BLR 11-29-1995		.XXXX	$\pm .0005$
				ANG	$\pm 7'30''$

THIS DRAWING IN DESIGN AND DETAIL IS OUR PROPERTY AND MUST NOT BE USED EXCEPT IN CONNECTION WITH OUR WORK ALL RIGHTS OF DESIGN AND INVENTION ARE RESERVED THIS IS AN ELECTRONICALLY GENERATED DOCUMENT - DO NOT SCALE THIS PRINT

	DRAWN	KL 06-20-1994
	CHK	ML 06-24-1994
	APPD	GK 06-24-1994
TITLE	OUTLINE	SCALE 1=4
	180T FR. - BB - SCS - TEFC	REF
MAT'L.		FMF
FINISH		PREV
RFP	CAD FILE ss65660	SIZE A
DIST LB		DRAWING NO. SS65660
		PAGE OF 8
		REV. 8

SINGLE VOLTAGE CAPACITOR START
MOTOR, ELECTRICALLY REVERSIBLE



VIEW OF TERMINAL END

				TOLERANCES UNLESS SPECIFIED			DRAWN GK 01-10-1987			
				DEC.	INCHES		CHK ML 01-10-1987			
				.X	±.1		APPD FG 01-10-1987			
				.XX	±.02		SCALE			
				.XXX	±.005		REF			
1	NEW DRAWING	CN7664C	GK 01-10-1987	.XXXX	±.0005	MAT'L.		FMF		
NO.	REVISION	BY & DATE	CHK	ANG	±7'30"	FINISH		PREV		
THIS DRAWING IN DESIGN AND DETAIL IS OUR PROPERTY AND MUST NOT BE USED EXCEPT IN CONNECTION WITH OUR WORK ALL RIGHTS OF DESIGN AND INVENTION ARE RESERVED THIS IS AN ELECTRONICALLY GENERATED DOCUMENT - DO NOT SCALE THIS PRINT				RFP		CAD FILE	EE7090JN	SIZE	DRAWING NO.	REV.
				DIST	WP			A	EE7090JN	1