

PRODUCT INFORMATION PACKET

Model No: 184TCDW7001

Catalog No: I1104

5 HP General Purpose Motor, 1 phase, 3600 RPM, 208-230 V, 184T Frame, ODP
General Purpose Motors





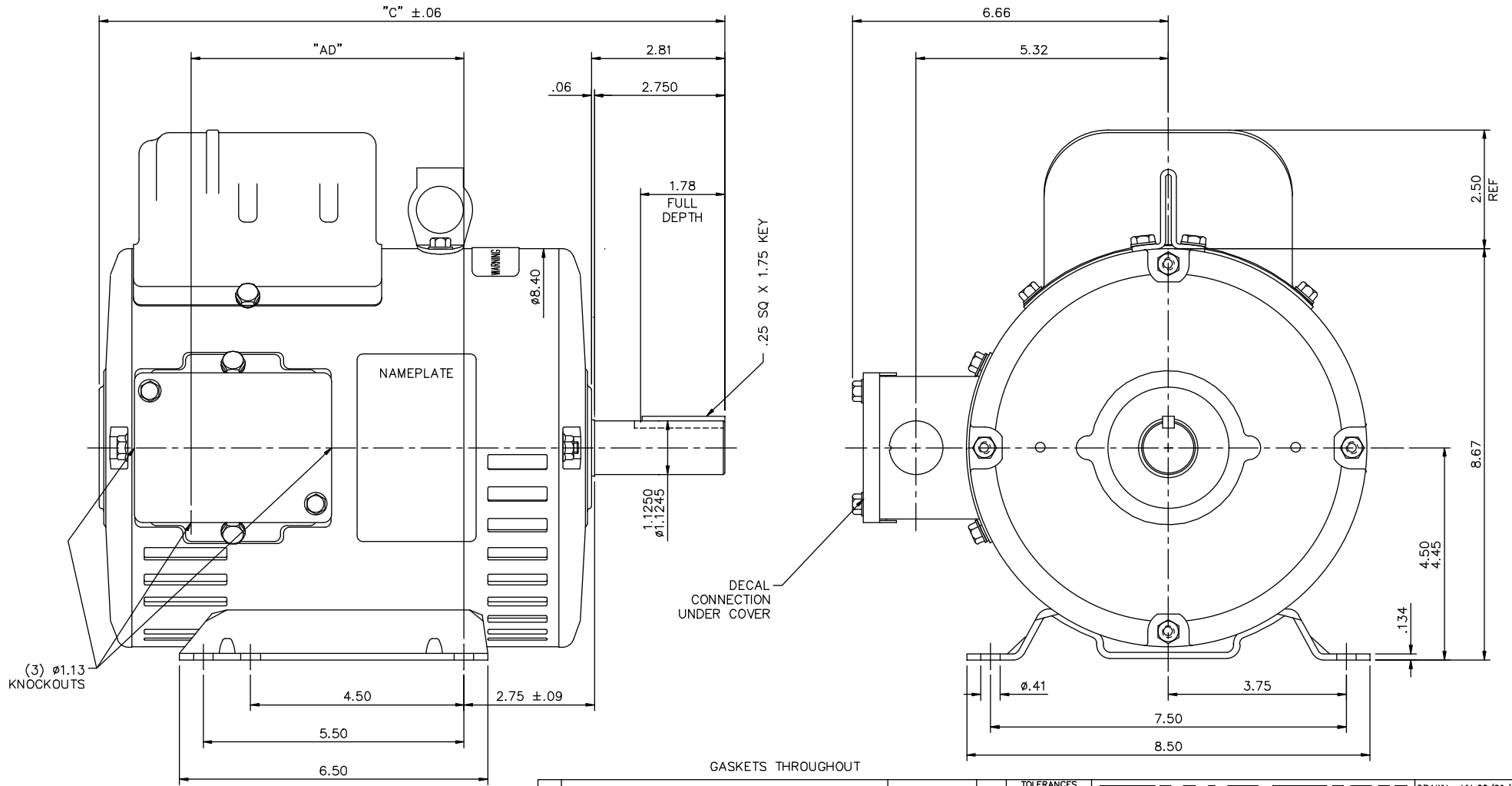
Nameplate Specifications

Output HP	5 Hp	Output KW	3.7 kW
Frequency	60 Hz	Voltage	208-230 V
Current	24.0-22.0 A	Speed	3500 rpm
Service Factor	1.15	Phase	1
Efficiency	80 %	Power Factor	92
Duty	Continuous	Insulation Class	F
Design Code	No Design Code	KVA Code	H
Frame	184T	Enclosure	Drip Proof
Thermal Protection	No	Ambient Temperature	40 °C
Drive End Bearing Size	6206	Opp Drive End Bearing Size	6205
UL	Recognized	CSA	Y
CE	Y	IP Code	22
Number of Speeds	1		

Technical Specifications

Electrical Type	Capacitor Start Capacitor Run	Starting Method	Across The Line
Poles	2	Rotation	Selective Counterclockwise
Resistance Main	0 Ohms	Mounting	Rigid Base
Motor Orientation	Horizontal	Drive End Bearing	Ball
Opp Drive End Bearing	Ball	Frame Material	Rolled Steel
Shaft Type	T	Overall Length	14.69 in
Frame Length	10.50 in	Shaft Diameter	1.125 in
Shaft Extension	2.81 in	Assembly/Box Mounting	F1 Only
Connection Drawing	005018.01ME	Outline Drawing	035555-1050

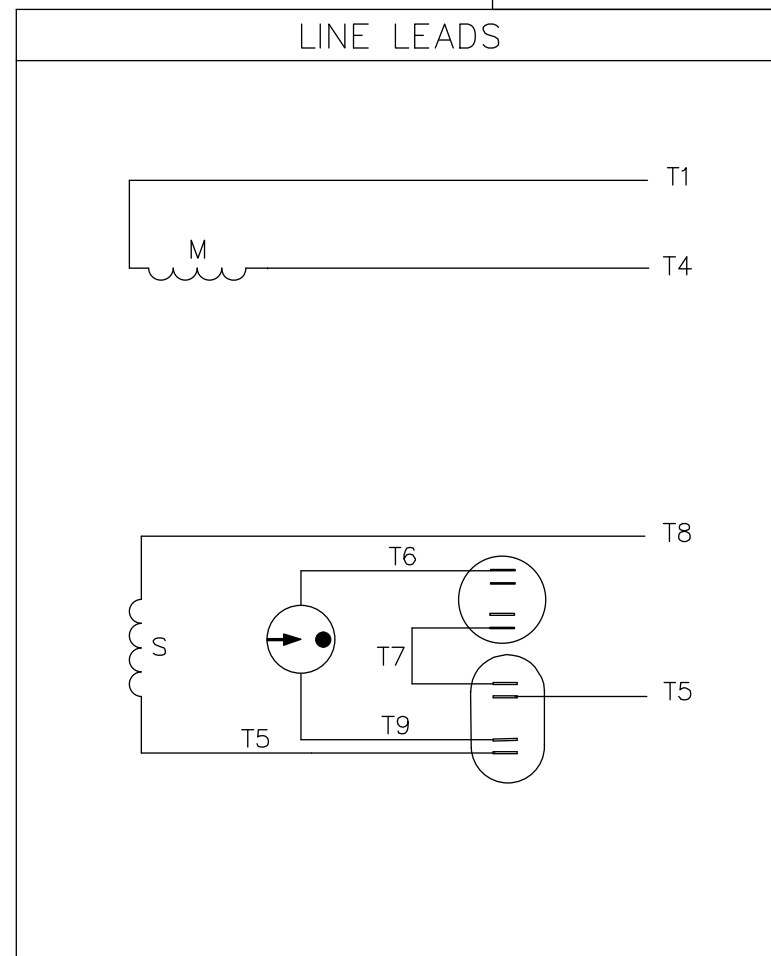
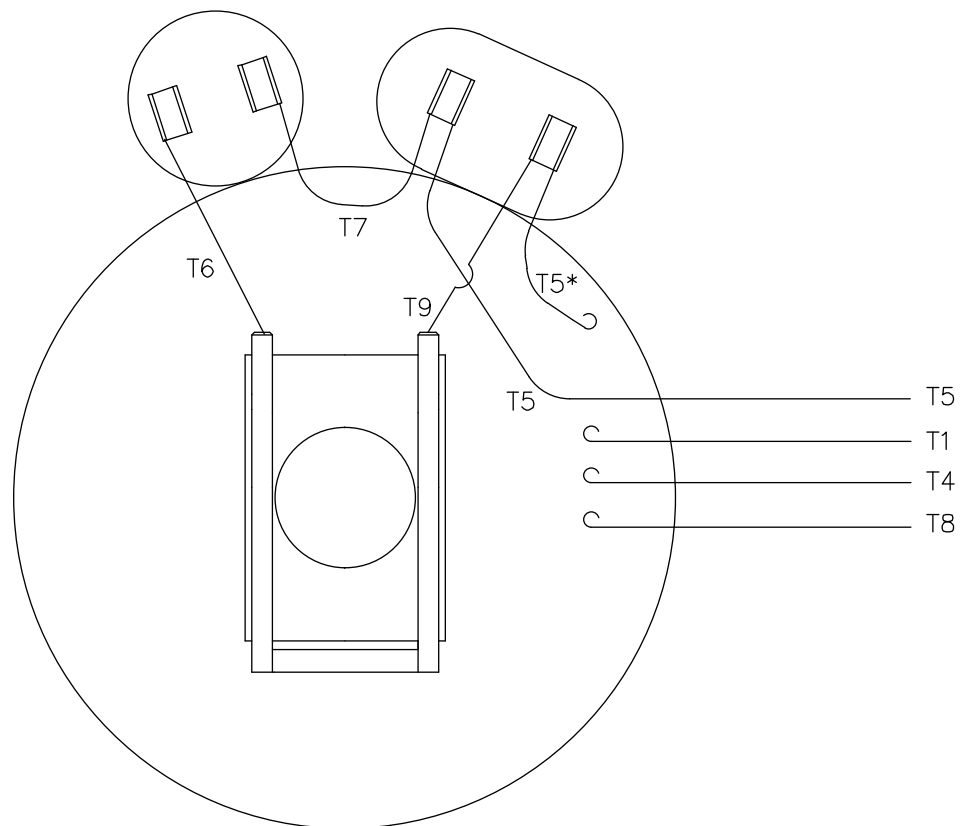
This is an uncontrolled document once printed or downloaded and is subject to change without notice. Date Created:10/12/2021



DASH NO.	"C"	"AD"
900	13.19	5.75
950	13.69	6.25
1000	14.19	6.75
1050	14.69	7.25
1100	15.19	7.75
1150	15.69	8.25

				TOLERANCES UNLESS SPECIFIED		MARATHON ELECTRIC		DRAWN vv 08/29/07	
				DEC.	INCHES			CHK	
				.X	±.1			APPD	
				.XX	±.03	TITLE		SCALE 1=2	
				.XXX	±.005	OUTLINE- 180T FRAME		REF 035472	
				.XXXX	±.0005	DRIP PROOF- RIGID		FMF 184TCDW7026	
01	REMOVED CE DECAL	GWS	4/28/08	ANG	±1/2'	MATERIAL		PREV	
NO. REVISION				FINISH		CAD FILE		RFP 6/5/03	
THIS DRAWING IN DESIGN AND DETAIL IS OUR PROPERTY AND MUST NOT BE USED EXCEPT IN CONNECTION WITH OUR WORK ALL RIGHTS OF DESIGN AND INVENTION ARE RESERVED THIS IS AN ELECTRONICALLY GENERATED DOCUMENT - DO NOT SCALE THIS PRINT				DIST		035555		SIZE B DRAWING NO. 035555	
								REV. 01	

VIEW FROM OUTSIDE OF MOTOR AT SWITCH END.



ROTATION FACING LEAD END	L1	L2
C.C.W.	T1,T8	T4,T5
C.W.	T1,T5	T4,T8

* THIS LEAD MAY BE WHITE

		TOLERANCES UNLESS SPECIFIED		DRAWN RDW 6/5/03	
		DEC.	INCHES		CHK
		.X	±.1	APPD	
		.XX	±.01	SCALE 1=1	
		.XXX	±.005	REF 005018	
		.XXXX	±.0005	FMF 139047	
NO.	REVISION	BY & DATE	CHK ANG ±1/2'	PREV	
THIS DRAWING IN DESIGN AND DETAIL IS OUR PROPERTY AND MUST NOT BE USED EXCEPT IN CONNECTION WITH OUR WORK ALL RIGHTS OF DESIGN AND INVENTION ARE RESERVED THIS IS AN ELECTRONICALLY GENERATED DOCUMENT - DO NOT SCALE THIS PRINT		RFP 6/5/03	CAD FILE 00501801ME	SIZE A	DRAWING NO. 005018-01ME
		DIST			REV.



TITLE EXTERNAL WIRING DIAGRAM TYPE "K" W/O PROTECTOR
 MAT'L. DECAL - 004018