

PRODUCT INFORMATION PACKET

Model No: 184TCDR7615

Catalog No: Z305

Crop Dryer Motor, 5 & 7 HP, 1 Ph, 60 & 60 Hz, 230 & 230 V, 3600 & 3600 RPM, 184TZ Frame, DPAO



Regal and Marathon are trademarks of Regal Rexnord Corporation or one of its affiliated companies.

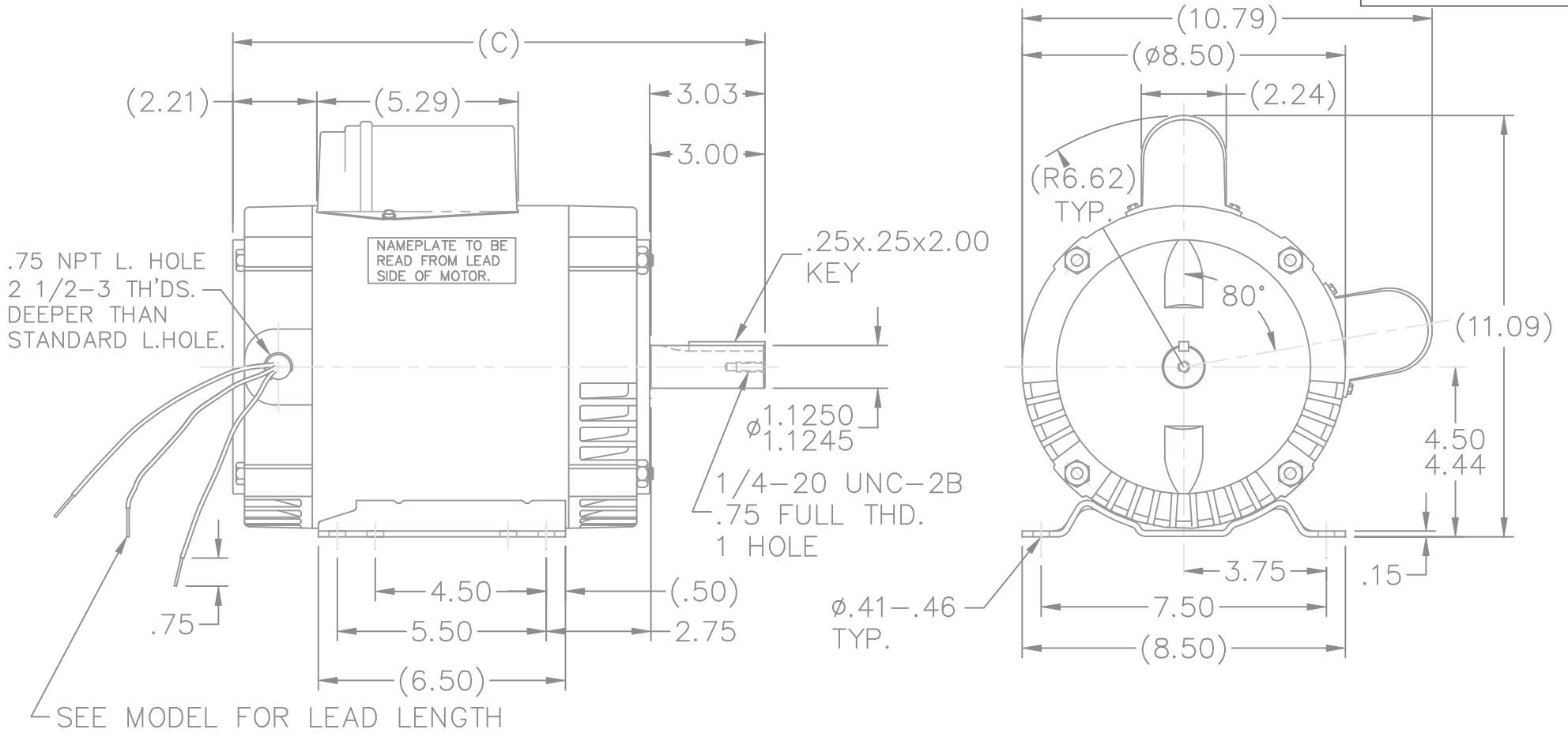
©2023 Regal Rexnord Corporation, All Rights Reserved. MC017097E

Nameplate Specifications

Phase	1	Output HP	5 & 7 Hp
Output KW	3.7 & 5.2 kW	Voltage	230 & 230 V
Speed	3525 & 3475 rpm	Service Factor	1.4 & 1.0
Frame	184TZ	Enclosure	Drip Proof Air Over
Thermal Protection	No Protection	Efficiency	75.5 & 74 %
Ambient Temperature	40 °C	Frequency	60 & 60 Hz
Current	27 & 36.5 A	Power Factor	78
Duty	Continuous	Insulation Class	F
Design Code	NO DESIGN CODE	KVA Code	F
Drive End Bearing Size	6206	Opp Drive End Bearing Size	6205
UL	Recognized	CSA	Y
CE	N	IP Code	22
Number of Speeds	1		

Technical Specifications

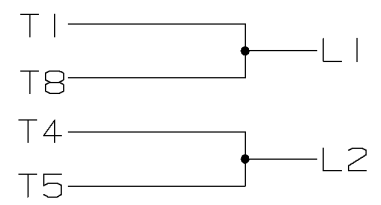
Electrical Type	Capacitor Start Induction Run	Starting Method	Across The Line
Poles	2	Rotation	Selective Counterclockwise
Resistance Main	.345 Ohms	Mounting	Rigid Base
Motor Orientation	Horizontal	Drive End Bearing	Ball
Opp Drive End Bearing	Ball	Frame Material	Rolled Steel
Shaft Type	Single Special Extension	Overall Length	14.50 in
Frame Length	7.25 in	Shaft Diameter	1.125 in
Shaft Extension	3.03 in	Assembly/Box Mounting	F1 Out ODE Brkt Radial
Outline Drawing	A-SS66062-725	Connection Drawing	A-EE7090JP



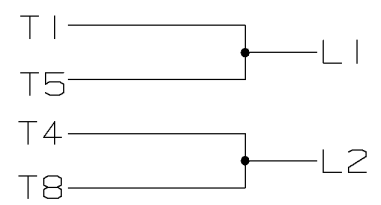
DASH	FR.	C	MOUNTING	DASH	FR.	C	MOUNTING
725	182/4	14.50	F1 ONLY	925	182/4	16.50	F1 ONLY
775	182/4	15.00	F1 ONLY				
825	182/4	15.50	F1 ONLY				
875	182/4	16.00	F1 ONLY				

				TOLERANCES UNLESS SPECIFIED			DRAWN KL 01-10-1994								
				DEC.	INCHES		CHK ML 01-11-1994	APPD GK 01-11-1994							
10	REDRAWN IN AUTOCAD	TAT	06-13-2005	ML	.X ±.1	TITLE OUTLINE 180 FR. - BB - SCS - DR.PR. MAT'L. FINISH	SCALE	1=4							
9	ADDED 182 FR. SIZE & MOUNTINGS CN 27400-320	CAE	11-02-1999		.XX ±.03		REF								
8	3.03 WAS 3.10 ON SHAFT EXTENSION CN 27400-179	DRS	05-10-1999		.XXX ±.005		FMF								
7	REVISED BASE CN 21725-1004	MH	10-24-1996		.XXXX ±.0005		PREV								
NO.	REVISION	BY & DATE	CHK	ANG	±7'30"										
THIS DRAWING IN DESIGN AND DETAIL IS OUR PROPERTY AND MUST NOT BE USED EXCEPT IN CONNECTION WITH OUR WORK ALL RIGHTS OF DESIGN AND INVENTION ARE RESERVED THIS IS AN ELECTRONICALLY GENERATED DOCUMENT - DO NOT SCALE THIS PRINT				RFP		CAD FILE	ss66062	SIZE	A	DRAWING NO.	SS66062	PAGE	OF	REV.	10
				DIST	LB										

CCW ROTATION

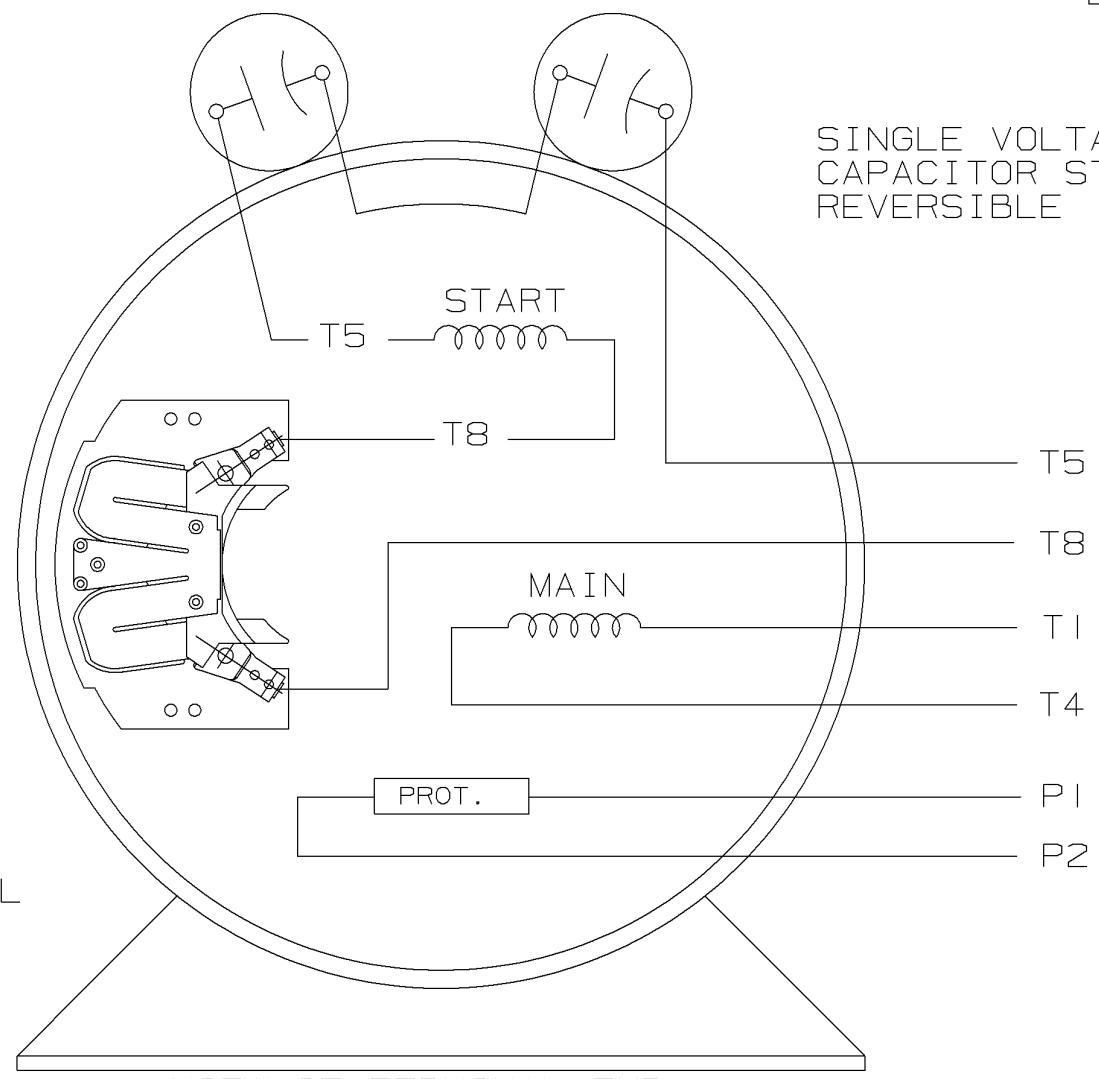


CW ROTATION



P1 & P2 ARE THERMAL PROTECTOR LEADS

SINGLE VOLTAGE CAPACITOR START REVERSIBLE



VIEW OF TERMINAL END

		125 $\sqrt{\text{V}}$ SURFACE ROUGHNESS UNLESS NOTED OTHERWISE		UNLESS OTHERWISE SPECIFIED DIMENSIONS ARE IN INCHES TOL ON XX+ XXX±.005 XXXX±.0005 ANGLES±				
		MATL SPEC		180-210 SWITCH		DRAWN BY	GK	12-13-86
		FINISH		 WAUSAU, WISCONSIN 54401		CHKD BY	ML	12-13-86
1		12-15-86	NEW DRAWING			APPD BY	GK	12-13-86
REV	DATE	CHANGE	NAME	PART NAME CONNECTION DIAGRAM				DRWG NO A- EE7090JP