

PRODUCT INFORMATION PACKET

marathon®
Motors

Model No: 184TBFW7737

Catalog No: Z121A

General Purpose Farm Duty Motor, 5 HP, 1 Ph, 60 Hz, 230 V, 1800 RPM, 184T Frame, TEFC



Regal and Marathon are trademarks of Regal Rexnord Corporation or one of its affiliated companies.
©2022 Regal Rexnord Corporation, All Rights Reserved. MC017097E

RegalRexnord



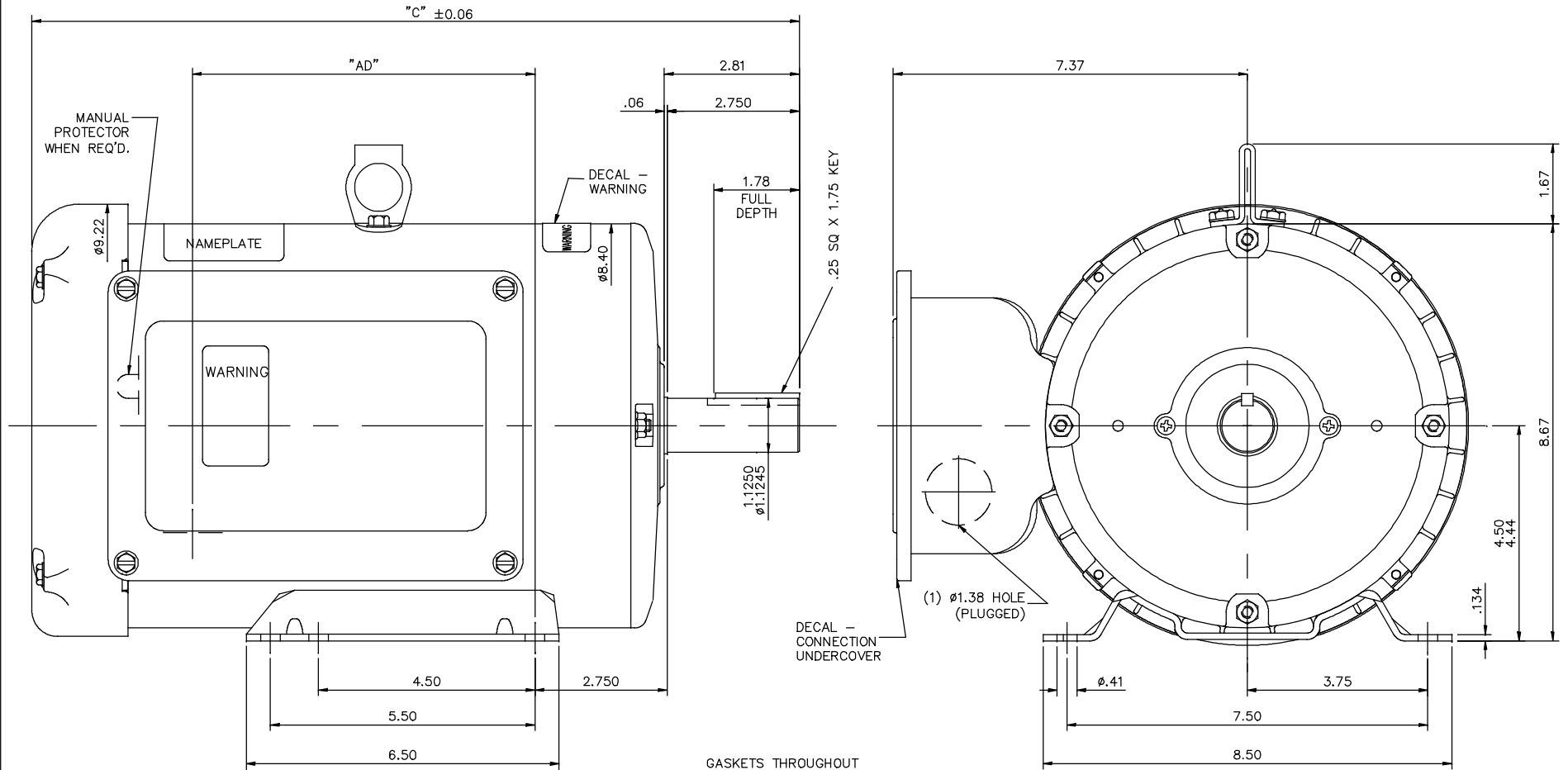
Nameplate Specifications

Output HP	5 Hp	Output KW	3.7 kW
Frequency	60 Hz	Voltage	230 V
Current	19.5 A	Speed	1755 rpm
Service Factor	1.15	Phase	1
Efficiency	85.5 %	Power Factor	96.5
Duty	Continuous	Insulation Class	F
Design Code	L	KVA Code	G
Frame	184T	Enclosure	Totally Enclosed Fan Cooled
Thermal Protection	Manual	Ambient Temperature	40 °C
Drive End Bearing Size	6206	Opp Drive End Bearing Size	6205
UL	Recognized (Not Protector)	CSA	Y
CE	Y	IP Code	43
Number of Speeds	1		

Technical Specifications

Electrical Type	Capacitor Start Capacitor Run	Starting Method	Across The Line
Poles	4	Rotation	Selective Counterclockwise
Resistance Main	0 Ohms	Mounting	Rigid Base
Motor Orientation	Horizontal	Drive End Bearing	Ball
Opp Drive End Bearing	Ball	Frame Material	Rolled Steel
Shaft Type	T	Overall Length	17.46 in
Frame Length	12.00 in	Shaft Diameter	1.125 in
Shaft Extension	2.81 in	Assembly/Box Mounting	F1 ONLY
Connection Drawing	005056.03ME	Outline Drawing	035636-1200

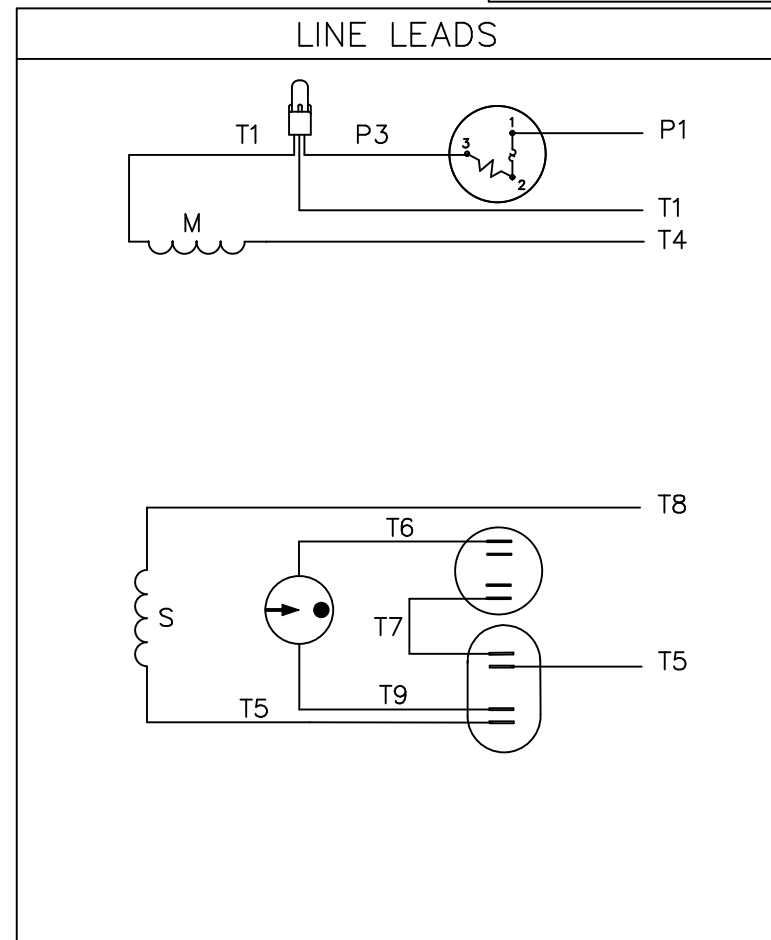
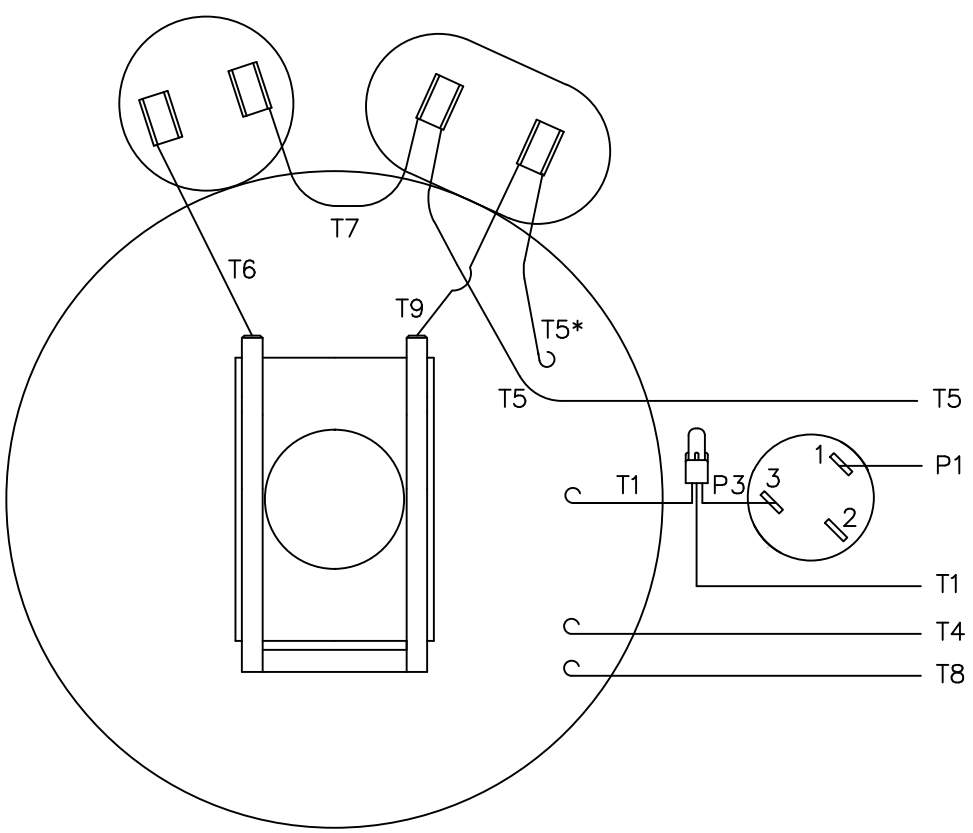
035636



DASH NO.	"C"	"AD"
1050	15.96	7.12
1100	16.46	7.62
1150	16.96	8.12
1200	17.46	8.62
1100	17.96	9.12
1150	18.46	9.62

TOLERANCES UNLESS SPECIFIED		REGAL™ Regal Beloit America, Inc.		DRAWN	YS 01/21/08
DEC.	INCHES	CHK		APPD	
.X	±0		TITLE		
.XX	±0		OUTLINE - 180T		
.XXX	±0		TEFC-RIGID		
.XXXX	±0		SCALE		
NO.	REVISION	BY & DATE	FIN'L		
B	T.I.R NOTE RMOVED	MVG 08/23/17	SR .XXX ±0		
A	NEW DRAWING	YS 01/21/08	.XXXX ±0		
			CHK ANG ±0		
THIS DRAWING IN DESIGN AND DETAIL IS OUR PROPERTY AND MUST NOT BE USED EXCEPT IN CONNECTION WITH OUR WORK. ALL RIGHTS OF DESIGN AND INVENTION ARE RESERVED. THIS IS AN ELECTRONICALLY GENERATED DOCUMENT - DO NOT SCALE THIS PRINT			RFP	CAD FILE	035636
			DIST	SIZE	B
				DRAWING NO.	035636
				REV.	B

VIEW FROM OUTSIDE OF MOTOR AT SWITCH END.



ROTATION FACING LEAD END	L1	L2	JOIN
C.C.W.	P1	T4, T5	T1, T8
C.W.	P1	T4, T8	T1, T5

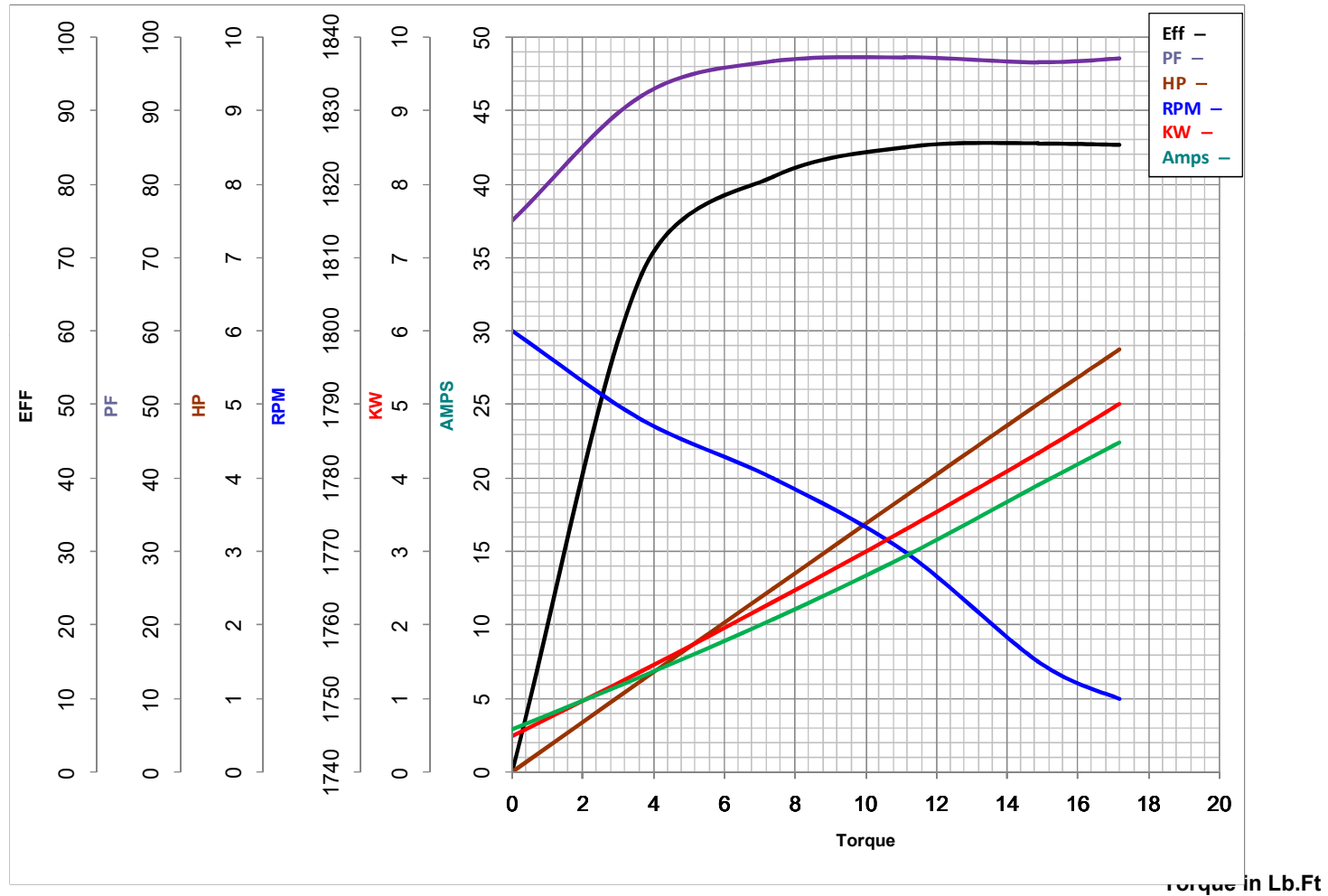
* THIS LEAD MAY BE WHITE

		TOLERANCES UNLESS SPECIFIED		REGAL-BELOIT <i>Motor Technologies</i> TITLE EXTERNAL WIRING DIAGRAM TYPE "K" W/ PROTECTOR MAT'L. DECAL - 004015 FINISH CAD FILE 00505603ME SIZE A DRAWING NO. 005056-03ME REV.		DRAWN LST 9/9/03	
		DEC.	INCHES			CHK KH 9/9/03	
		.X	±.1			APPD	
		.XX	±.01			SCALE 1=1	
		.XXX	±.005			REF	
		.XXXX	±.0005	FMF 139045			
NO.	REVISION	BY & DATE	CHK	ANG	±1/2°	PREV	
THIS DRAWING IN DESIGN AND DETAIL IS OUR PROPERTY AND MUST NOT BE USED EXCEPT IN CONNECTION WITH OUR WORK ALL RIGHTS OF DESIGN AND INVENTION ARE RESERVED THIS IS AN ELECTRONICALLY GENERATED DOCUMENT - DO NOT SCALE THIS PRINT			RFP	DIST BRF-NLV			



MARATHON ELECTRIC CORPORATION
TYPICAL PERFORMANCE CURVE for AC MOTOR

Customer _____ Curve at 230 Volts HP 5.00 PHASE 1
60 HZ
5 HP VOLTS 230
 Catalog No Z121A HZ 60 RPM 1755



FL TORQUE	<u>14.9</u>	Lb.Ft	FL AMPS	<u>19.5</u>	
BD TORQUE	<u>37.5</u>	Lb.Ft	PU TORQUE	<u>29.5</u>	Lb.Ft
LR TORQUE	<u>38.9</u>	Lb.Ft	LR AMPS	<u>133.5</u>	
WINDING	K8495-2		Date	1/10/2019	

EC Declaration of Conformity

The undersigned representing
the manufacturer:

Regal Beloit America
100 East Randolph St.
Wausau, WI 54401

and the authorized representative
established within the Community:

Marathon Electric UK
6F Thistleton Road Ind. Estate
Market Overton
Oakham, Rutland LE15 7PP UK

are committed to providing customers with products that comply with applicable regulations and international protocols to which they are subject, including the requirements of the European Parliament Directive on the Harmonization of the laws relating to electrical equipment designed for use within certain voltage limits (2014/35/EU).

Regal Beloit America declares that the following product(s), to which this declaration relates, are in conformity with the relevant sections of the EC standards listed below.

This statement supersedes any statements previously issued pertaining to the product(s) listed below and is subject to change without notice.

Model No : 184TBFW7737

(Model No. may contain prefix and/or suffix characters)

Catalog No : Z121A

Rework No : N/A

Directives :

Low Voltage Directive 2014/35/EU

Harmonized Standards Used :

EN 60034-1: 2010 (IEC 60034-1: 2010)

EN 60034-5: 2001/A1:2007 (IEC 60034-5: 2000/A1:2006)

Authorized Representative:



Michael A. Logsdon
Vice President, Technology

Authorized Representative in the Community:



Julian Clark
Marketing Engineer

Created on 09/01/2022

CE 22