

PRODUCT INFORMATION PACKET

marathon®
Motors

Model No: 184TBFR7726

Catalog No: I214

5 HP General Purpose Motor, 1 phase, 1800 RPM, 208-230 V, 184T Frame, TEFC
General Purpose Motors



Regal and Marathon are trademarks of Regal Rexnord Corporation or one of its affiliated companies.
©2021 Regal Rexnord Corporation, All Rights Reserved. MC017097E

RegalRexnord



Nameplate Specifications

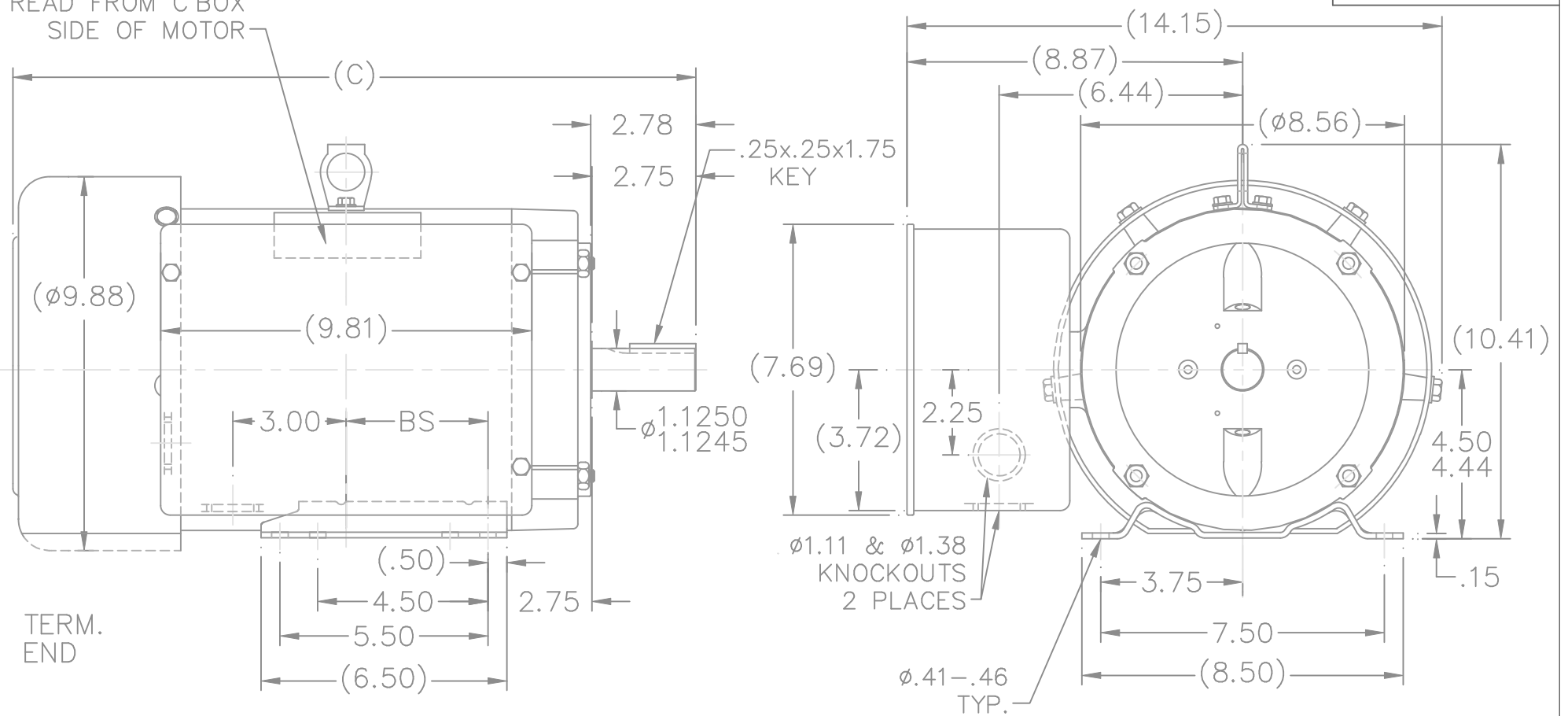
Output HP	5 Hp	Output KW	3.7 kW
Frequency	60 Hz	Voltage	208-230 V
Current	22.8-20.2 A	Speed	1750 rpm
Service Factor	1	Phase	1
Efficiency	82.5 %	Power Factor	98.8
Duty	Continuous	Insulation Class	B
Design Code	L	KVA Code	H
Frame	184T	Enclosure	Totally Enclosed Fan Cooled
Thermal Protection	No	Ambient Temperature	40 °C
Drive End Bearing Size	6206	Opp Drive End Bearing Size	6205
UL	Recognized	CSA	Y
CE	Y	IP Code	43
Number of Speeds	1		

Technical Specifications

Electrical Type	Capacitor Start Capacitor Run	Starting Method	Across The Line
Poles	4	Rotation	Selective Counterclockwise
Resistance Main	0 Ohms	Mounting	Rigid Base
Motor Orientation	Horizontal	Drive End Bearing	Ball
Opp Drive End Bearing	Ball	Frame Material	Rolled Steel
Shaft Type	T	Overall Length	18.06 in
Frame Length	8.75 in	Shaft Diameter	1.125 in
Shaft Extension	2.75 in	Assembly/Box Mounting	F1 ONLY
Connection Drawing	A-EE9048LP	Outline Drawing	A-SS65396-875

This is an uncontrolled document once printed or downloaded and is subject to change without notice. Date Created: 10/12/2021

NAMEPLATE TO BE READ FROM C'BOX SIDE OF MOTOR



TERM. END

NOTES:
1. C'BOX CAN BE ROTATED IN 180° STEPS

DASH	C	BS		
875	18.06	3.75		
925	18.56	4.00		
975	19.06	4.25		

TOLERANCES UNLESS SPECIFIED
DEC. INCHES



DRAWN	MRB 12-20-1994
CHK	ML 12-21-1994
APPD	CK 12-22-1994
SCALE	1=4
REF	
FMF	
PREV	

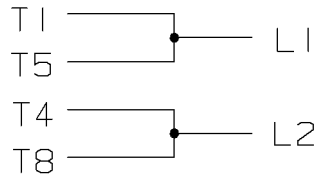
NO.	REVISION	BY & DATE	CHK	ANG
7	UPDATED DRAWING	RJW 05-09-2007	.X	±.1
6	ADDED LIFT LUG CN34025	NJS 07-11-2001	.XX	±.03
5	ADDED NEW BASE (68105-2) CN14442	MRB 11-08-1995	.XXX	±.005
4	REDREW ON CAD, ADDED NEW REAR BRKT. 4230440	MRB 12-22-1994	.XXXX	±.0005

TITLE	OUTLINE
	180T FR. - BB - SCS - TEFC
MAT'L.	
FINISH	

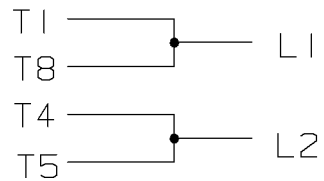
THIS DRAWING IN DESIGN AND DETAIL IS OUR PROPERTY AND MUST NOT BE USED EXCEPT IN CONNECTION WITH OUR WORK ALL RIGHTS OF DESIGN AND INVENTION ARE RESERVED THIS IS AN ELECTRONICALLY GENERATED DOCUMENT - DO NOT SCALE THIS PRINT

RFP	CAD FILE	SS65396	SIZE	DRAWING NO.	PAGE	OF	REV.
DIST	LB		A	SS65396			7

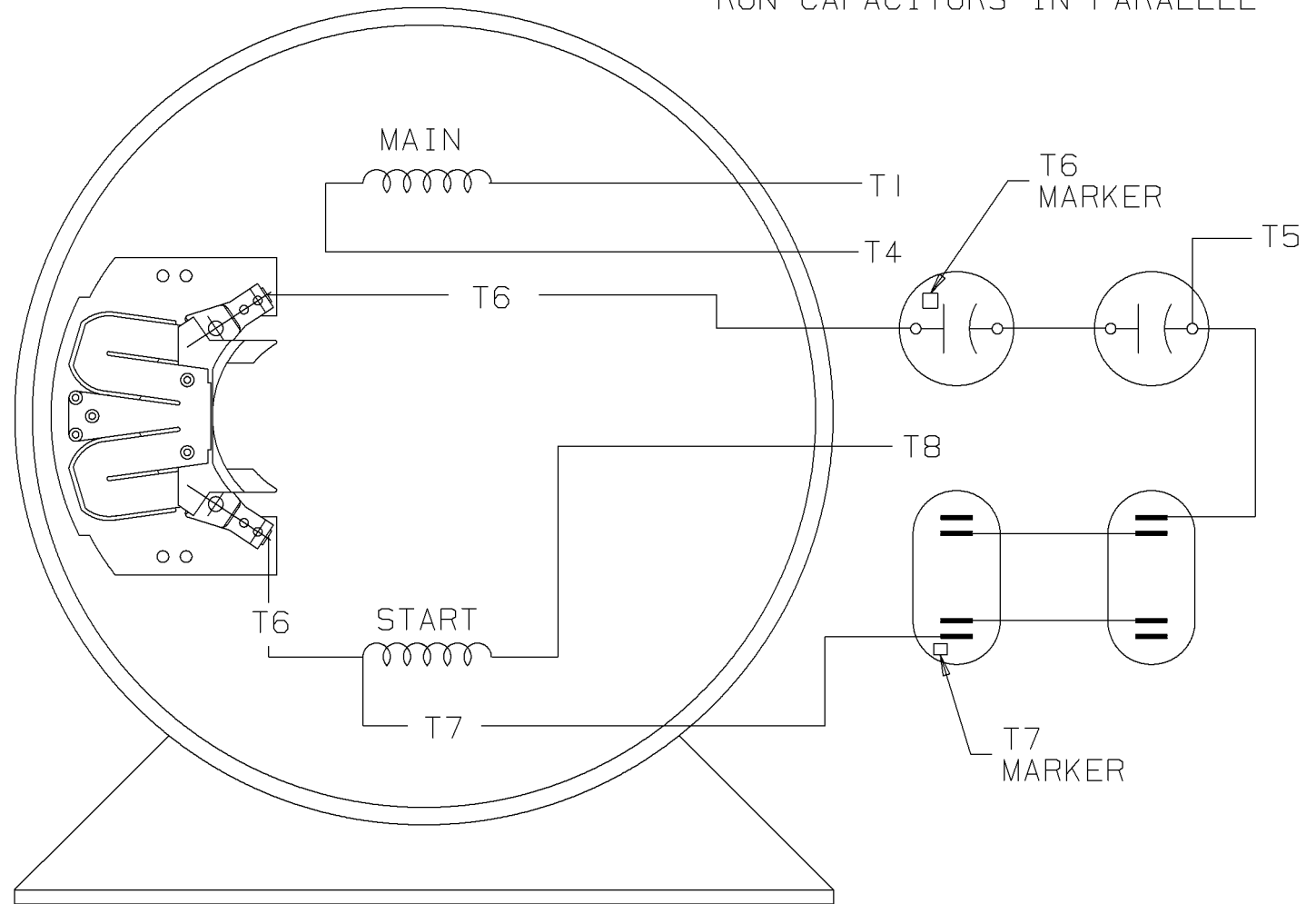
C.W. ROTATION



C.C.W. ROTATION



CONNECT:
START CAPACITORS IN SERIES
RUN CAPACITORS IN PARALLEL



SINGLE VOLTAGE
CAPACITOR START
CAPACITOR RUN
REVERSIBLE

VIEW OF TERMINAL END

				✓ MAX. SURFACE ROUGHNESS UNLESS NOTED OTHERWISE	UNLESS OTHERWISE SPECIFIED DIMENSIONS ARE IN INCHES TOL. ON XX± XXX±.005 XXXX±.0005 ANGLES±		
				MATL SPEC	180 - 210 SWITCH	DRAWN BY	GK 11-01-1986
				FINISH		CHKD BY	FG 11-01-1986
1	11-04-1986	NEW DRAWING	CN 7664C	GK	REFERENCE DRW.	WAUSAU, WISCONSIN 54401	APPD BY ML 11-01-1986
REV	DATE	CHANGE	NAME	PART NAME CONNECTION DIAGRAM			DRWG NO A-EE9048LP

SHOP BOOK

PURCHASED

DISTRIBUTION - WA - LB - WP - LM - BR

CADD FILE NO.

EE9048LP