

PRODUCT INFORMATION PACKET

Model No: 184TBDW7026

Catalog No: I114A

Air Compressor Motor, 5 HP, 1 Ph, 60 Hz, 208-230 V, 1800 RPM, 184T Frame, DP



Regal and Marathon are trademarks of Regal Rexnord Corporation or one of its affiliated companies.

©2023 Regal Rexnord Corporation, All Rights Reserved. MC017097E

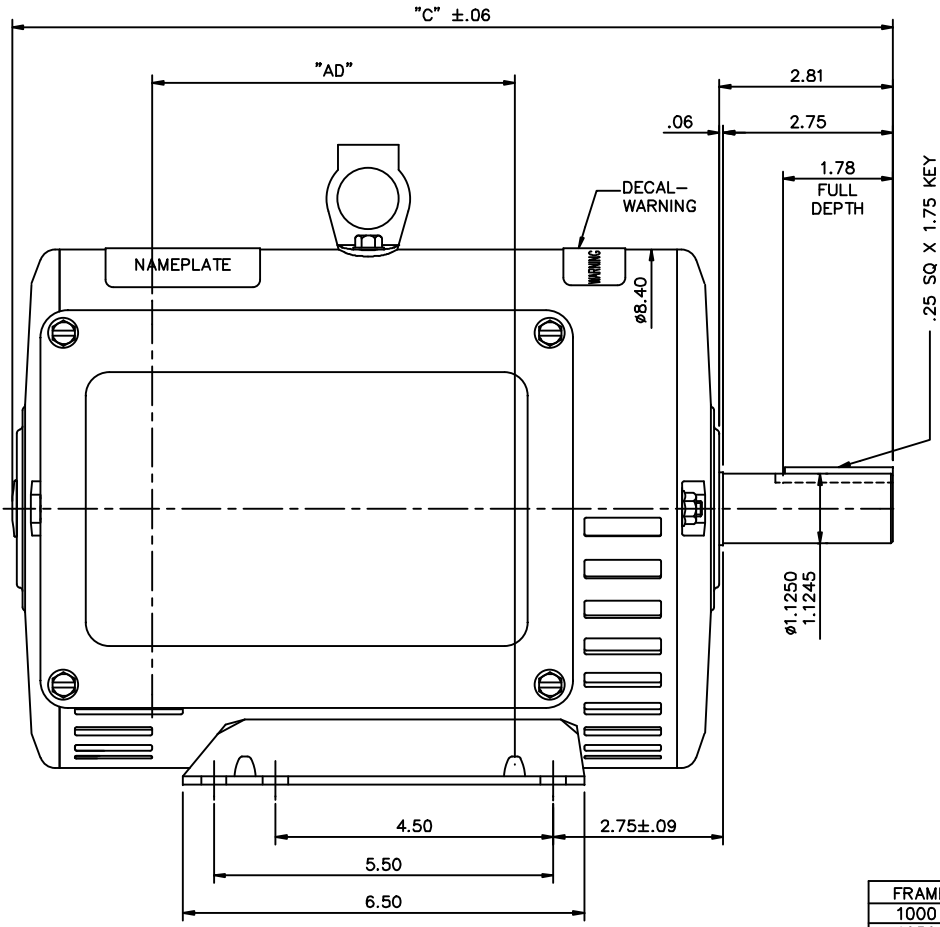


Nameplate Specifications

Phase	1	Output HP	5 Hp
Output KW	3.7 kW	Voltage	208-230 V
Speed	1740 rpm	Service Factor	1.15
Frame	184T	Enclosure	Drip Proof
Thermal Protection	No Protection	Efficiency	83 %
Ambient Temperature	40 °C	Frequency	60 Hz
Current	23.0-21.0 A	Power Factor	94
Duty	Continuous	Insulation Class	F
Design Code	NO DESIGN CODE	KVA Code	H
Drive End Bearing Size	6206	Opp Drive End Bearing Size	6205
UL	Recognized	CSA	Y
CE	Y	IP Code	22
Number of Speeds	1		

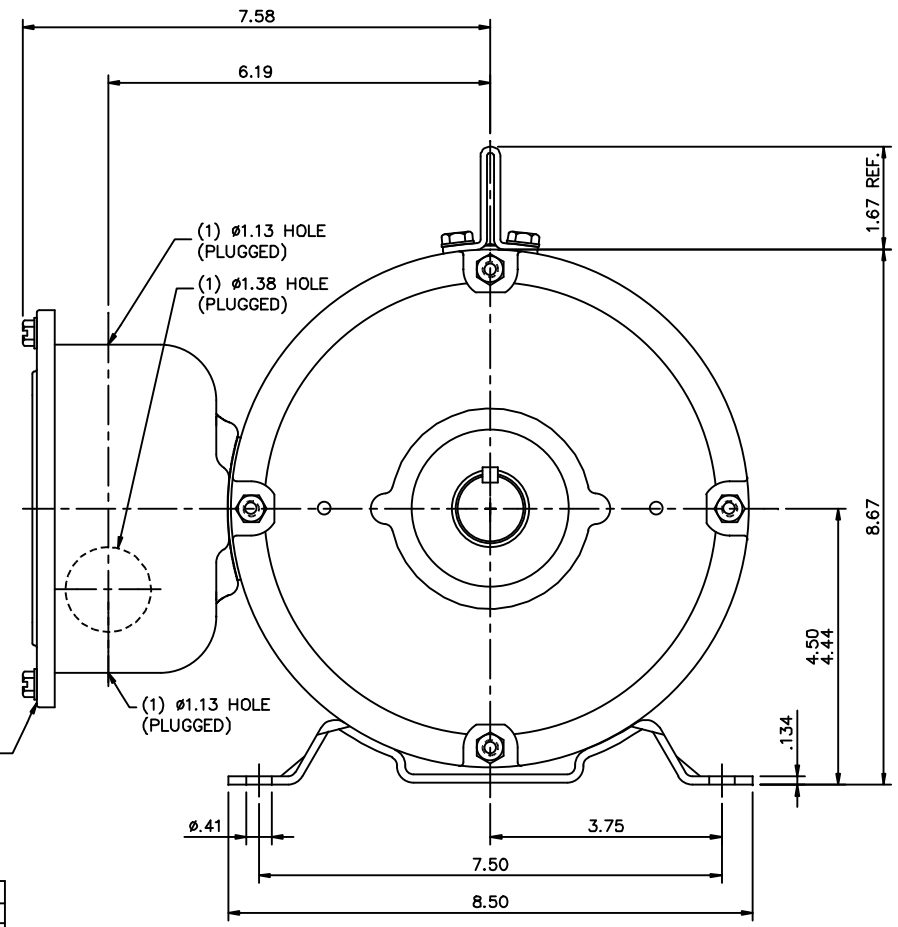
Technical Specifications

Electrical Type	Capacitor Start Capacitor Run	Starting Method	Across The Line
Poles	4	Rotation	Selective Counterclockwise
Resistance Main	.48 Ohms	Mounting	Rigid Base
Motor Orientation	Horizontal	Drive End Bearing	Ball
Opp Drive End Bearing	Ball	Frame Material	Rolled Steel
Shaft Type	T	Overall Length	14.71 in
Frame Length	10.50 in	Shaft Diameter	1.125 in
Shaft Extension	2.81 in	Assembly/Box Mounting	F1 ONLY
Outline Drawing	035655-1050	Connection Drawing	005018.01ME



FRAME	"C"	"AD"
1000	14.21	5.88
1050	14.71	6.38
1100	15.21	6.88
1150	15.71	7.38
1200	16.21	7.88
1250	16.71	8.38

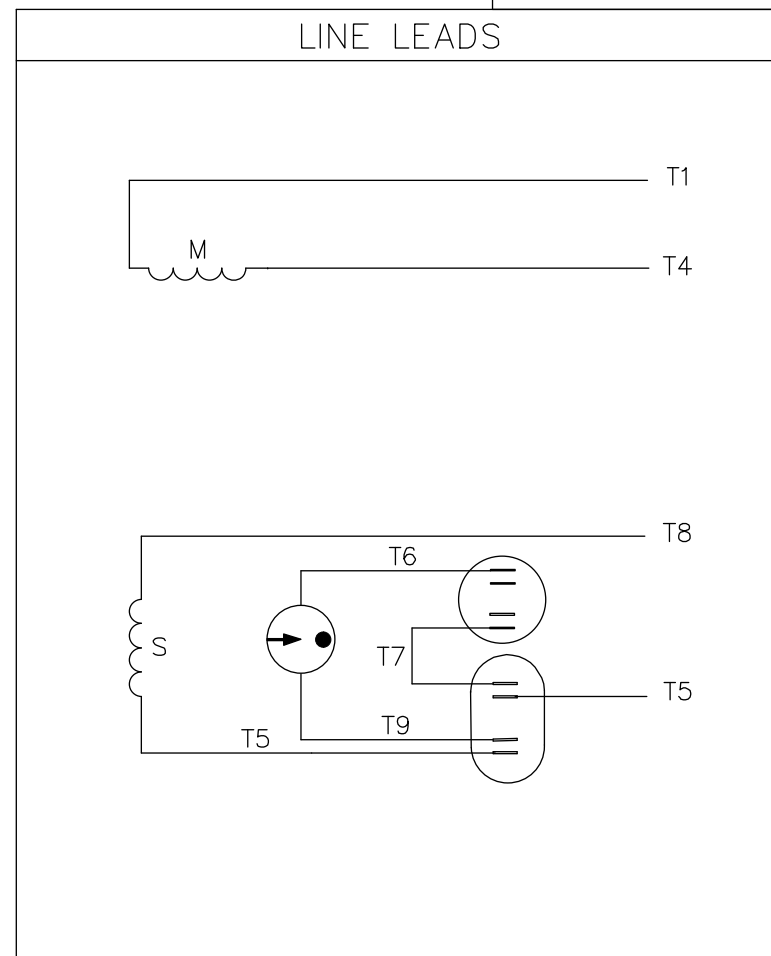
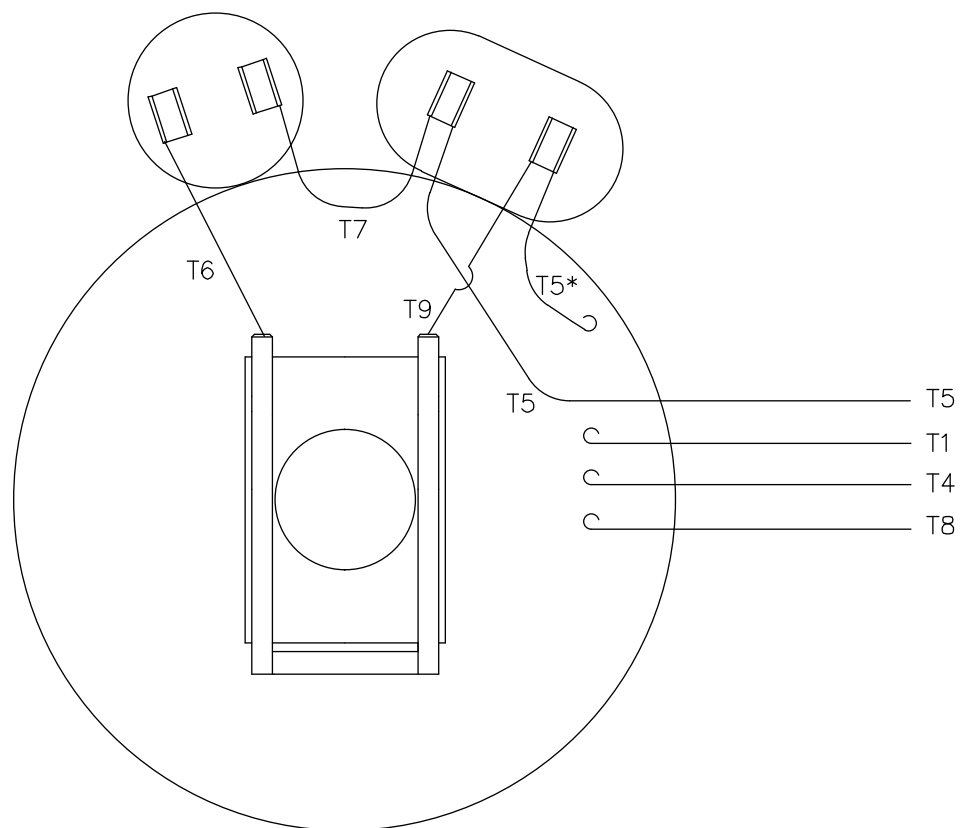
DECAL - CONNECTION UNDERCOVER



GASKETS THROUGHOUT

		TOLERANCES UNLESS SPECIFIED			DRAWN	YS 03/17/08		
		DEC.	INCHES		CHK			
		.X	±.1	APPD				
		.XX	±.03	TITLE	OUTLINE- 180T FRAME			
		.XXX	±.005		DRIP PROOF- RIGID			
		.XXXX	±.0005	MAT'L.	REF			
		CHK	ANG ±1/2'	FINISH	FMF 182TCDW8016			
NO.	REVISION	BY & DATE	RFP	CAD FILE	035655	SIZE	DRAWING NO.	REV.
THIS DRAWING IN DESIGN AND DETAIL IS OUR PROPERTY AND MUST NOT BE USED EXCEPT IN CONNECTION WITH OUR WORK ALL RIGHTS OF DESIGN AND INVENTION ARE RESERVED THIS IS AN ELECTRONICALLY GENERATED DOCUMENT - DO NOT SCALE THIS PRINT			DIST			B	035655	

VIEW FROM OUTSIDE OF MOTOR AT SWITCH END.



ROTATION FACING LEAD END	L1	L2
C.C.W.	T1,T8	T4,T5
C.W.	T1,T5	T4,T8

* THIS LEAD MAY BE WHITE

		TOLERANCES UNLESS SPECIFIED		DRAWN RDW 6/5/03	
		DEC.	INCHES	CHK	
		.X	±.1	APPD	
		.XX	±.01	SCALE 1=1	
		.XXX	±.005	REF 005018	
		.XXXX	±.0005	FMF 139047	
NO.	REVISION	BY & DATE	CHK	ANG ±1/2'	PREV
THIS DRAWING IN DESIGN AND DETAIL IS OUR PROPERTY AND MUST NOT BE USED EXCEPT IN CONNECTION WITH OUR WORK ALL RIGHTS OF DESIGN AND INVENTION ARE RESERVED THIS IS AN ELECTRONICALLY GENERATED DOCUMENT - DO NOT SCALE THIS PRINT			RFP 6/5/03	CAD FILE 00501801ME	SIZE A
			DIST	DRAWING NO. 005018-01ME	REV.



TITLE EXTERNAL WIRING DIAGRAM TYPE "K" W/O PROTECTOR
 MAT'L. DECAL - 004018

MARATHON ELECTRIC CORPORATION

TYPICAL PERFORMANCE CURVE for AC MOTOR

Customer

Curve at

230

Volts

HP 5.00

PHASE 1

Model No 184TBDW7026

60

HZ

VOLTS 208-230

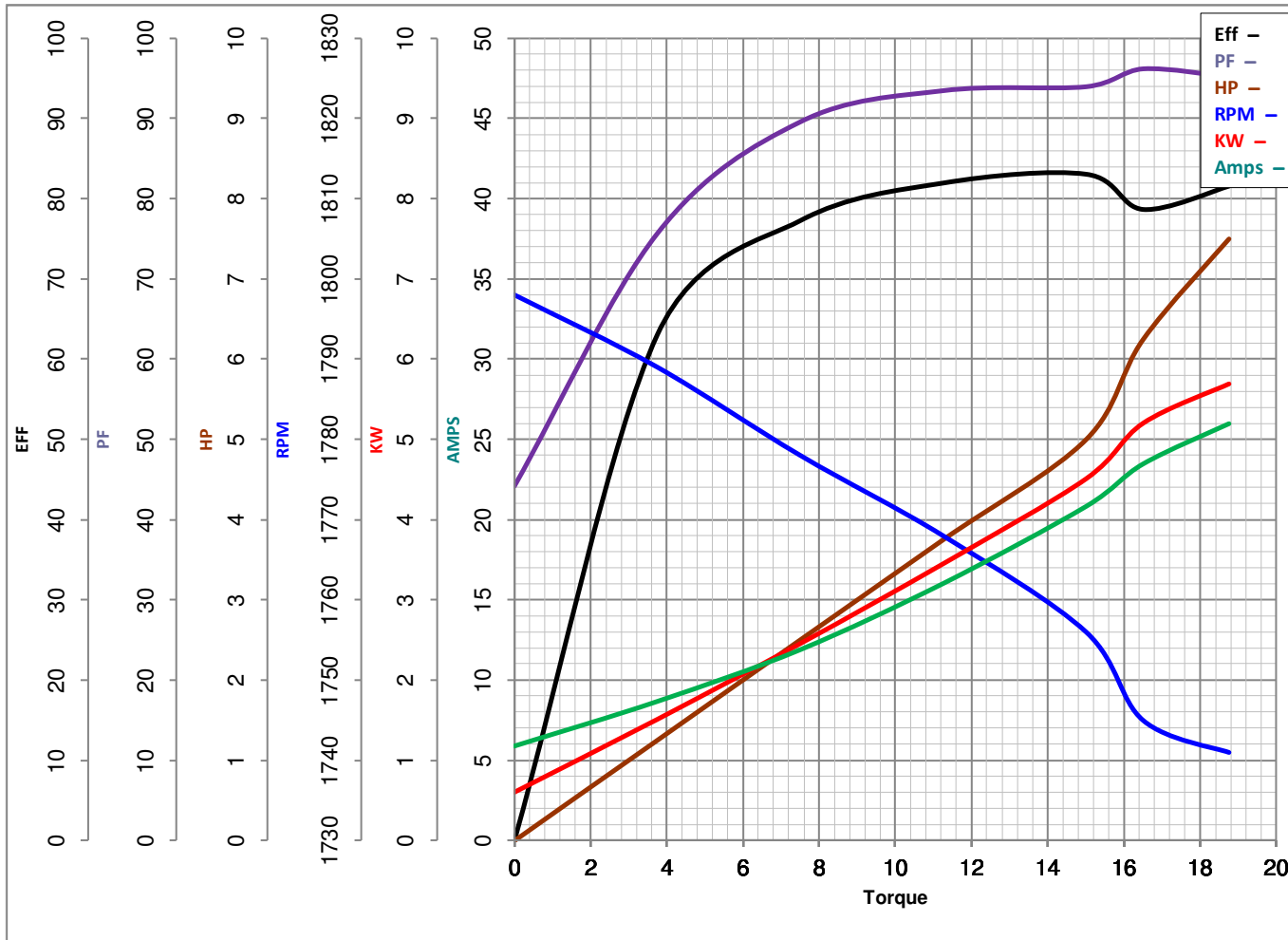
5

HP

Catalog No I114A

HZ 60

RPM 1740



Torque in Lb.Ft

FL TORQUE 15 Lb.Ft
 BD TORQUE 32.5 Lb.Ft
 LR TORQUE 41.1 Lb.Ft

FL AMPS 23-21
 PU TORQUE 28.9 Lb.Ft
 LR AMPS 138

WINDING K8450- Prepared By

Date 1/11/2019

EC Declaration of Conformity

The undersigned representing
the manufacturer:

Regal Beloit America
100 East Randolph St.
Wausau, WI 54401

and the authorized representative
established within the Community:

Marathon Electric UK
6F Thistleton Road Ind. Estate
Market Overton
Oakham, Rutland LE15 7PP UK

are committed to providing customers with products that comply with applicable regulations and international protocols to which they are subject, including the requirements of the European Parliament Directive on the Harmonization of the laws relating to electrical equipment designed for use within certain voltage limits (2014/35/EU).

Regal Beloit America declares that the following product(s), to which this declaration relates, are in conformity with the relevant sections of the EC standards listed below.

This statement supersedes any statements previously issued pertaining to the product(s) listed below and is subject to change without notice.

Model No : 184TBDW7026

(Model No. may contain prefix and/or suffix characters)

Catalog No : I114A

Rework No : N/A

Directives :

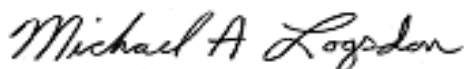
Low Voltage Directive 2014/35/EU

Harmonized Standards Used :

EN 60034-1: 2010 (IEC 60034-1: 2010)

EN 60034-5: 2001/A1:2007 (IEC 60034-5: 2000/A1:2006)

Authorized Representative:



Michael A. Logsdon
Vice President, Technology

Authorized Representative in the Community:



Julian Clark
Marketing Engineer

Created on 12/22/2022

CE 22