

PRODUCT INFORMATION PACKET

Model No: 184TBDW17011

Catalog No: Z427A

Close-Coupled Pump Motor, 5 HP, 1 Ph, 60 Hz, 230 V, 3600 RPM, 184JP Frame, DP



Regal and Marathon are trademarks of Regal Rexnord Corporation or one of its affiliated companies.
©2022 Regal Rexnord Corporation, All Rights Reserved. MC017097E

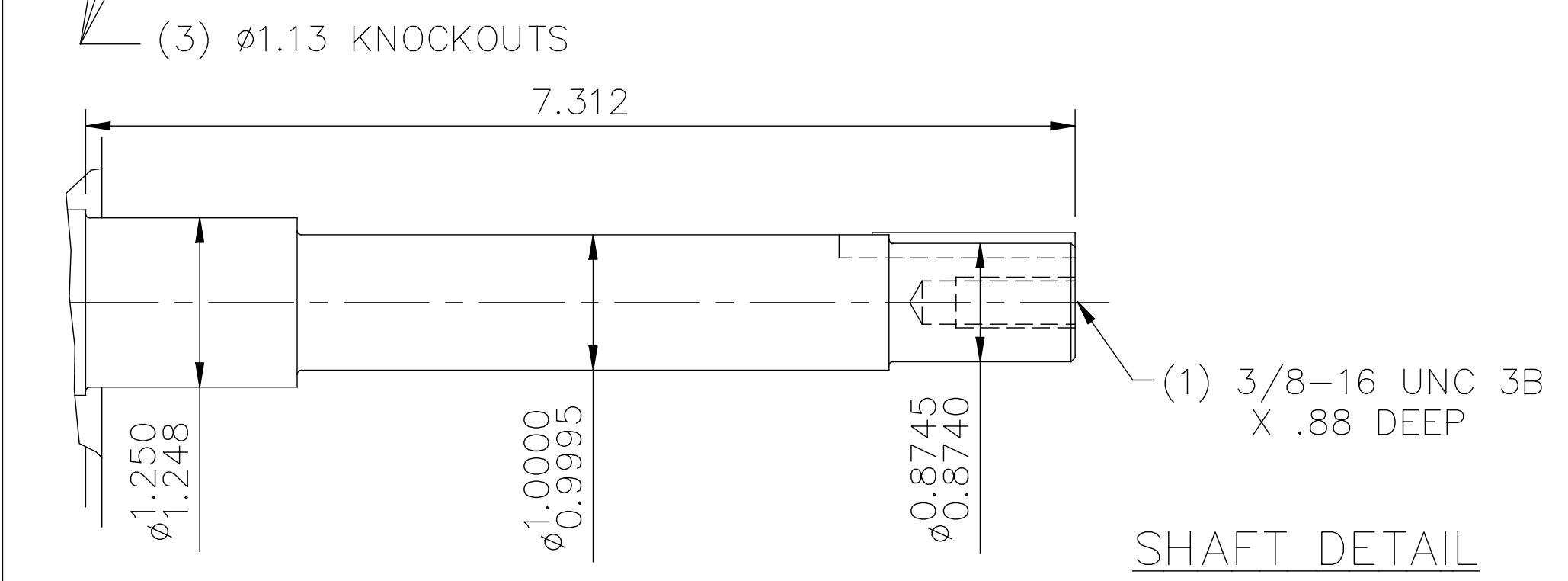
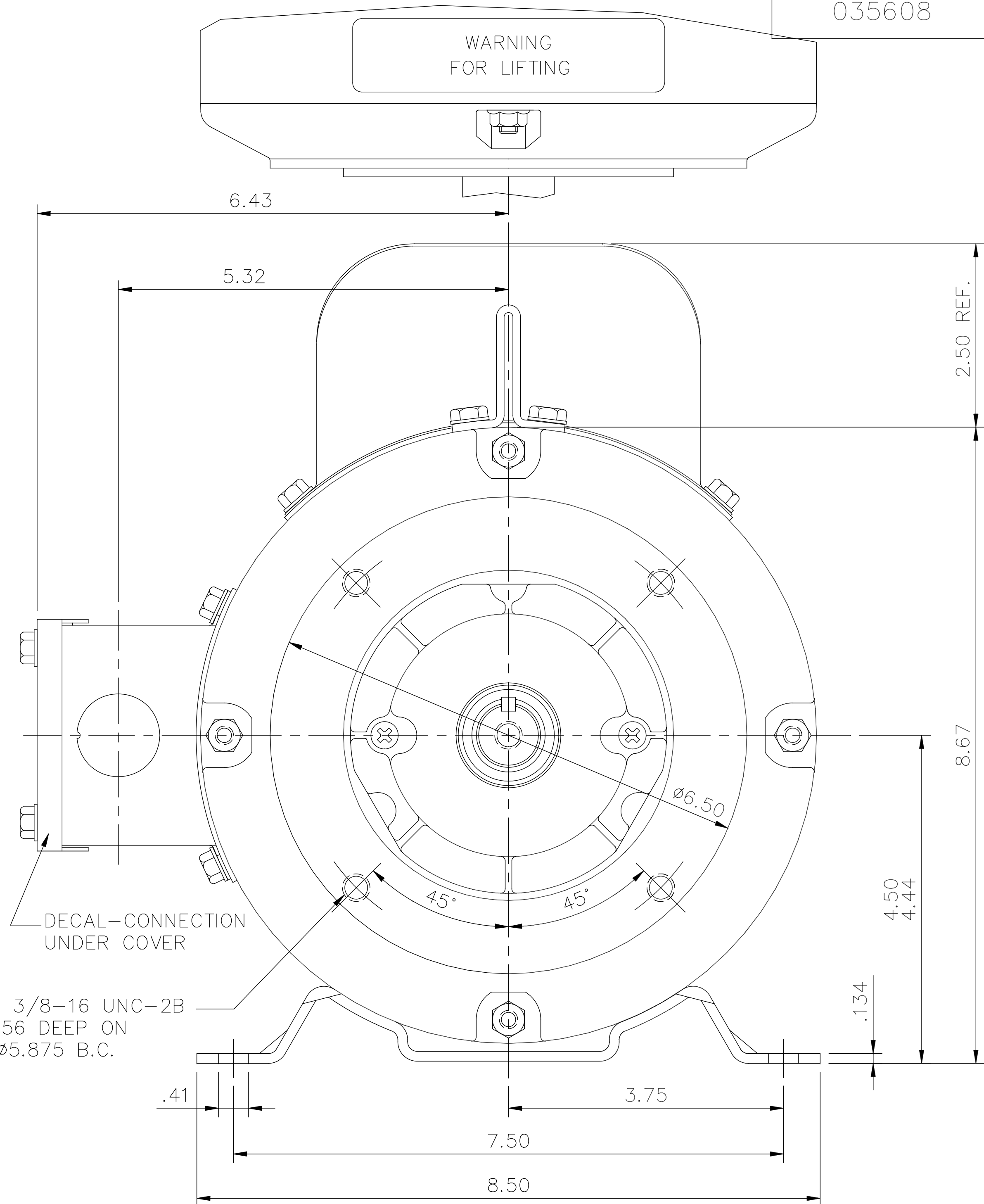
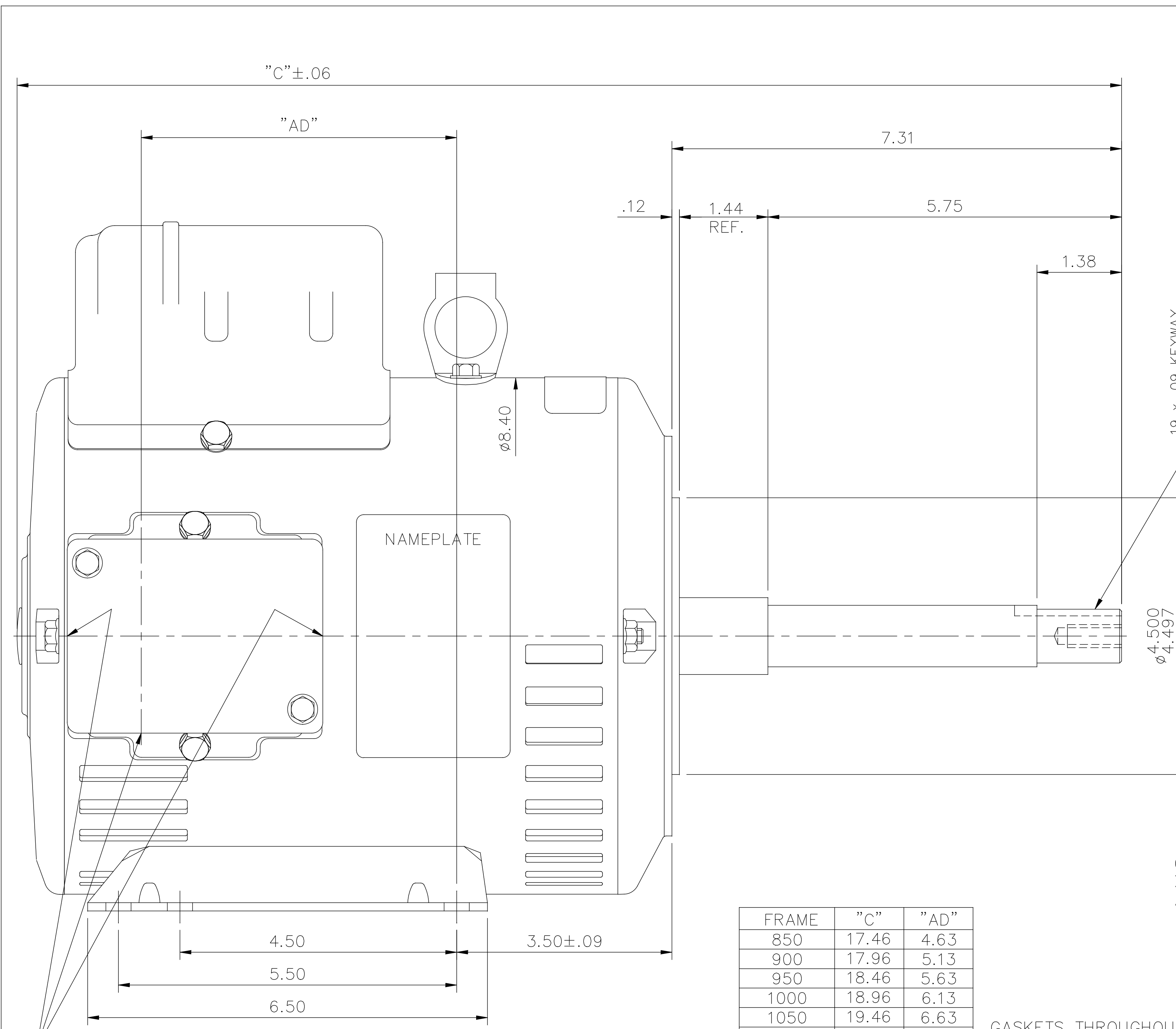
Nameplate Specifications

Output HP	5 Hp	Output KW	3.7 kW
Frequency	60 Hz	Voltage	230 V
Current	22.0 A	Speed	3500 rpm
Service Factor	1.15	Phase	1
Efficiency	80 %	Power Factor	92
Duty	Continuous	Insulation Class	F
Design Code	L	KVA Code	H
Frame	184JP	Enclosure	Drip Proof
Thermal Protection	No Protection	Ambient Temperature	40 °C
Drive End Bearing Size	6207	Opp Drive End Bearing Size	6205
UL	Recognized	CSA	Y
CE	Y	IP Code	22
Number of Speeds	1		

Technical Specifications

Electrical Type	Capacitor Start Capacitor Run	Starting Method	Across The Line
Poles	2	Rotation	Selective Counterclockwise
Resistance Main	0 Ohms	Mounting	Rigid Base
Motor Orientation	Horizontal	Drive End Bearing	Ball
Opp Drive End Bearing	Ball	Frame Material	Rolled Steel
Shaft Type	JP	Overall Length	19.46 in
Frame Length	10.50 in	Shaft Diameter	0.875 in
Shaft Extension	7.31 in	Assembly/Box Mounting	F1 ONLY
Outline Drawing	035608-1050	Connection Drawing	005018.01ME

035608



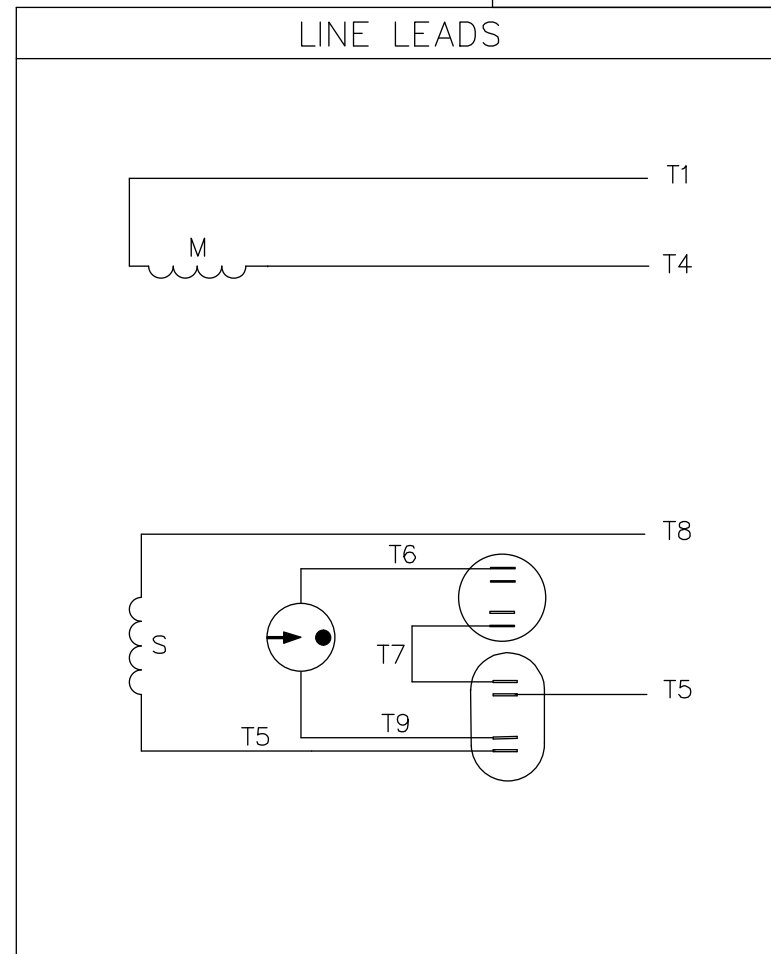
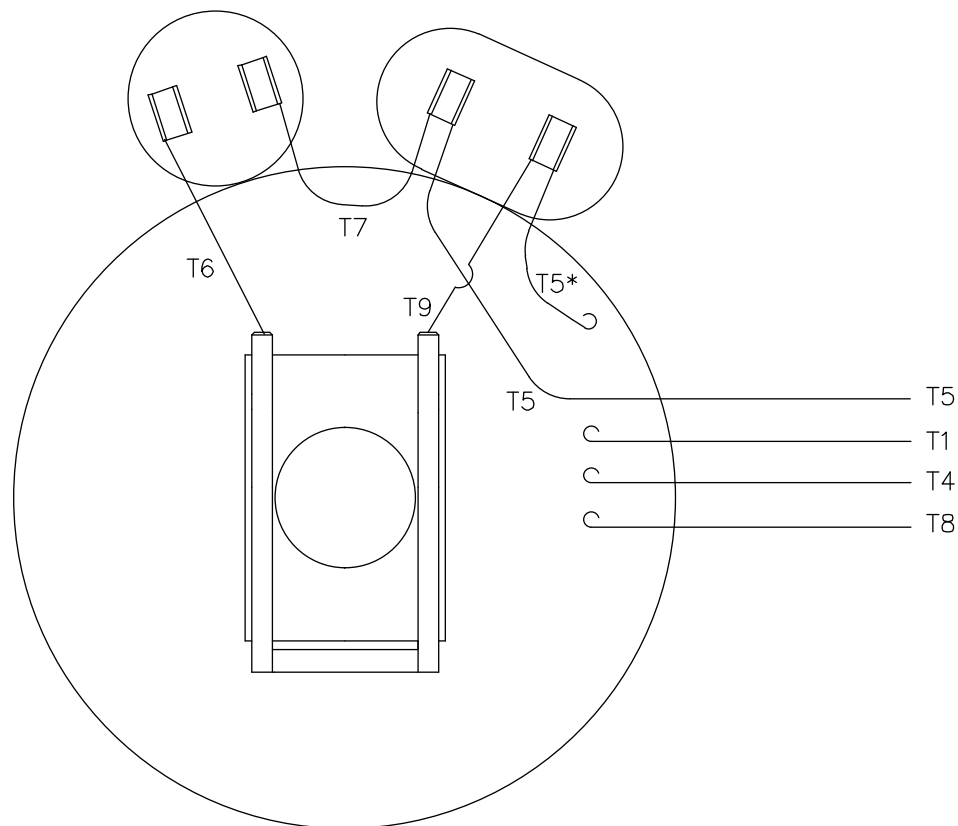
FRAME	"C"	"AD"
850	17.46	4.63
900	17.96	5.13
950	18.46	5.63
1000	18.96	6.13
1050	19.46	6.63
1100	19.96	7.13
1150	20.46	7.63
1200	20.96	8.13

GASKETS THROUGHOUT
 MAXIMUM FACE RUNOUT TO BE .004 T.I.R.
 MAXIMUM PILOT ECCENTRICITY TO BE .004 T.I.R.
 PERMISSIBLE SHAFT RUNOUT TO BE .002 T.I.R.

(4) 3/8-16 UNC-2B
 X .56 DEEP ON
 A φ5.875 B.C.

		TOLERANCES UNLESS SPECIFIED		Regal Beloit America, Inc.	DRAWN YS 04-29-2008		
		DEC.	INCHES		CHK		
		.X	±.1		APPD		
		.XX	±.03		SCALE 1=2		
		.XXX	±.005		REF 035446 & 035557		
		.XXXX	±.0005	MAT'L.	FMF 184TCDW7909		
NO.	REVISION	BY & DATE	CHK	ANG ±1/2'	FINISH		
THIS DRAWING IN DESIGN AND DETAIL IS OUR PROPERTY AND MUST NOT BE USED EXCEPT IN CONNECTION WITH OUR WORK ALL RIGHTS OF DESIGN AND INVENTION ARE RESERVED THIS IS AN ELECTRONICALLY GENERATED DOCUMENT - DO NOT SCALE THIS PRINT		RFP	CAD FILE	035608	SIZE B	DRAWING NO. 035608	REV.

VIEW FROM OUTSIDE OF MOTOR AT SWITCH END.



ROTATION FACING LEAD END	L1	L2
C.C.W.	T1,T8	T4,T5
C.W.	T1,T5	T4,T8

* THIS LEAD MAY BE WHITE

		TOLERANCES UNLESS SPECIFIED		DRAWN RDW 6/5/03		
		DEC.	INCHES	CHK		
		.X	±.1	APPD		
		.XX	±.01	SCALE 1=1		
		.XXX	±.005	REF 005018		
		.XXXX	±.0005	FMF 139047		
NO.	REVISION	BY & DATE	CHK	ANG	FINISH	PREV
			RFP	6/5/03	CAD FILE 00501801ME	SIZE A
THIS DRAWING IN DESIGN AND DETAIL IS OUR PROPERTY AND MUST NOT BE USED EXCEPT IN CONNECTION WITH OUR WORK ALL RIGHTS OF DESIGN AND INVENTION ARE RESERVED THIS IS AN ELECTRONICALLY GENERATED DOCUMENT - DO NOT SCALE THIS PRINT						DRAWING NO. 005018-01ME
						REV.

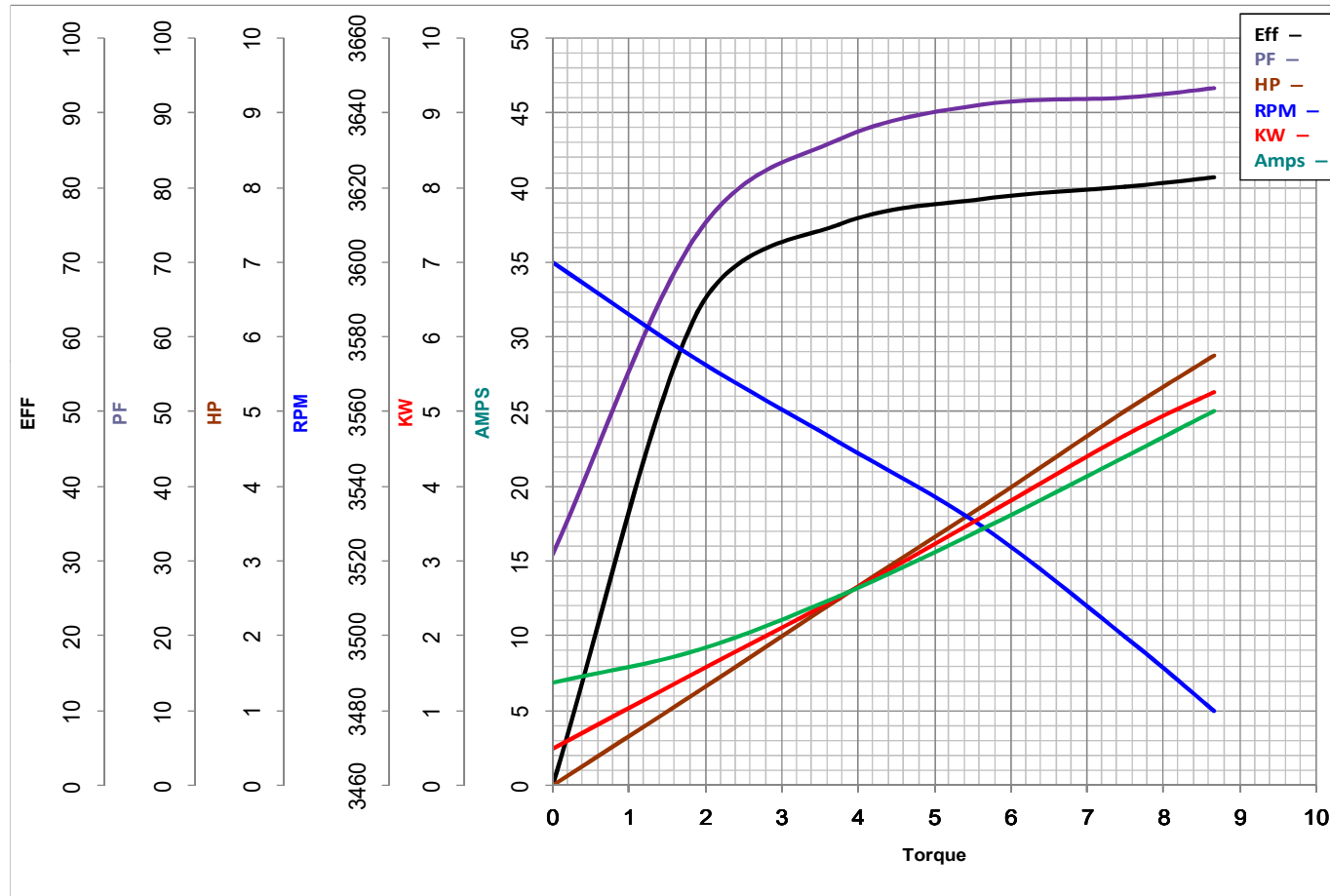


TITLE EXTERNAL WIRING DIAGRAM TYPE "K" W/O PROTECTOR
 MAT'L. DECAL - 004018



MARATHON ELECTRIC CORPORATION
TYPICAL PERFORMANCE CURVE for AC MOTOR

Customer _____ Curve at 230 Volts HP 5.00 PHASE 1
 Model No 184TBDW17011 60 HZ
5 HP VOLTS 230
 Catalog No Z427A HZ 60 RPM 3500



				Torque in Lb.Ft	
FL TORQUE	<u>7.5</u>	Lb.Ft	FL AMPS	<u>22</u>	
BD TORQUE	<u>19.2</u>	Lb.Ft	PU TORQUE	<u>15.2</u>	Lb.Ft
LR TORQUE	<u>19</u>	Lb.Ft	LR AMPS	<u>141</u>	
WINDING	K8222-2		Date	1/10/2019	

EC Declaration of Conformity

The undersigned representing
the manufacturer:

Regal Beloit America
100 East Randolph St.
Wausau, WI 54401

and the authorized representative
established within the Community:

Marathon Electric UK
6F Thistleton Road Ind. Estate
Market Overton
Oakham, Rutland LE15 7PP UK

are committed to providing customers with products that comply with applicable regulations and international protocols to which they are subject, including the requirements of the European Parliament Directive on the Harmonization of the laws relating to electrical equipment designed for use within certain voltage limits (2014/35/EU).

Regal Beloit America declares that the following product(s), to which this declaration relates, are in conformity with the relevant sections of the EC standards listed below.

This statement supersedes any statements previously issued pertaining to the product(s) listed below and is subject to change without notice.

Model No : 184TBDW17011

(Model No. may contain prefix and/or suffix characters)

Catalog No : Z427A

Rework No : N/A

Directives :

Low Voltage Directive 2014/35/EU

Harmonized Standards Used :

EN 60034-1: 2010 (IEC 60034-1: 2010)

EN 60034-5: 2001/A1:2007 (IEC 60034-5: 2000/A1:2006)

Authorized Representative:



Michael A. Logsdon
Vice President, Technology

Authorized Representative in the Community:



Julian Clark
Marketing Engineer

Created on 09/01/2022

CE 22