

PRODUCT INFORMATION PACKET

marathon[®]
Motors

Model No: 184TBDR7672

Catalog No: 184TBDR7672

General Purpose Motor, 6 HP, 1 Ph, 60 Hz, 230 V, 1800 RPM, 184T Frame, DP

Regal and Marathon are trademarks of Regal Rexnord Corporation or one of its affiliated companies.

©2023 Regal Rexnord Corporation, All Rights Reserved. MC017097E

RegalRexnord

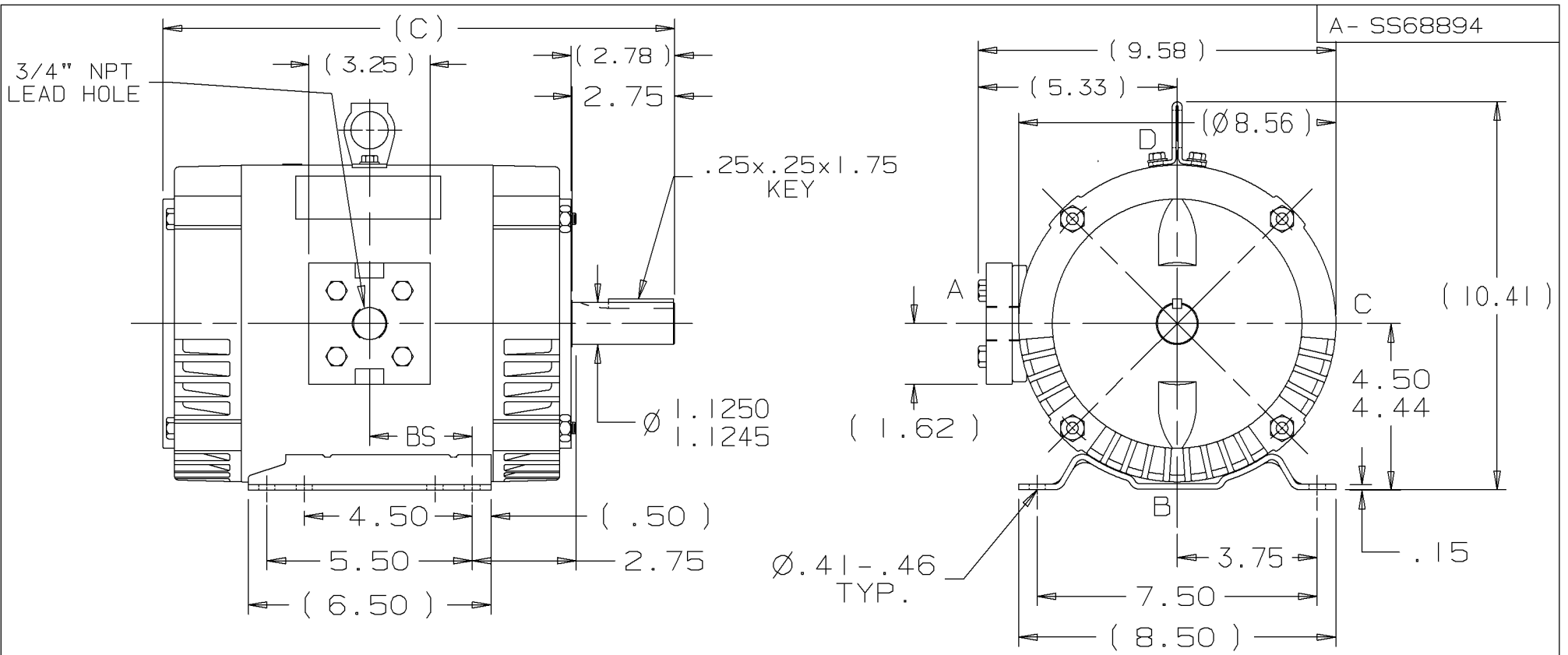
Nameplate Specifications

Output HP	6 Hp	Output KW	4.5 kW
Frequency	60 Hz	Voltage	230 V
Current	25.5 A	Speed	1745 rpm
Service Factor	1.15	Phase	1
Efficiency	84 %	Power Factor	92.7
Duty	Continuous	Insulation Class	F
Design Code	L	KVA Code	F
Frame	184T	Enclosure	Drip Proof
Thermal Protection	No Protection	Ambient Temperature	40 °C
Drive End Bearing Size	206	Opp Drive End Bearing Size	203
UL	Recognized	CSA	Y
CE	N	IP Code	22
Number of Speeds	1		

Technical Specifications

Electrical Type	Capacitor Start Capacitor Run	Starting Method	Across The Line
Poles	4	Rotation	Fixed Clockwise
Resistance Main	0 Ohms	Mounting	Rigid Base
Motor Orientation	Horizontal	Drive End Bearing	Ball
Opp Drive End Bearing	Ball	Frame Material	Rolled Steel
Shaft Type	T	Shaft Diameter	1.125 in
Assembly/Box Mounting	F1 ONLY		
Outline Drawing	A-SS68894-925	Connection Drawing	A-EE9048PK

This is an uncontrolled document once printed or downloaded and is subject to change without notice. Date Created:01/19/2023



DASH	FR.	C	BS	MOUNTING
575	182T	12.72	2.25	F1 OR F2
675	182/4T	13.72	2.75	F1 OR F2
725	182/4T	14.22	3.00	F1 ONLY
775	182/4T	14.72	3.25	F1 ONLY
825	182/4T	15.22	3.50	F1 ONLY
875	182/4T	15.72	3.75	F1 ONLY
925	182/4	16.22	4.00	F1 ONLY

NOTE:

1. NAMEPLATE TO BE READ FROM 'A' SIDE OF MOTOR.
2. PLATE CAN BE MOUNTED ON OPPOSITE SIDE BY REMOVING BRACKETS AND TURNING FRAME 180°.

		✓ MAX. SURFACE ROUGHNESS UNLESS NOTED OTHERWISE		UNLESS OTHERWISE SPECIFIED DIMENSIONS ARE IN INCHES TOL. ON XX±.03 XXX±.005 XXXX±.0005 ANGLES± 7°30"		
2	07-12-2001	ADDED LIFT LUG	CN 34025	HLB	CONDULET PLATE	DRAWN BY MJD 02-09-2000
				FINISH	MARATHON ELECTRIC WAUSAU, WISCONSIN 54401	CHKD BY ML 02-11-2000
1	02-11-2000	NEW DRAWING	MU29051	MJD		APPD BY PH 02-11-2000
REV	DATE	CHANGE	NAME	PART NAME OUTLINE - F1 MTG. 180T FR. - BB - TS - DR.PR.		DRWG NO A-SS68894

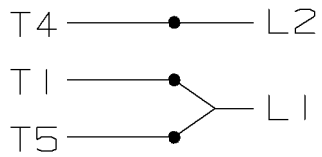
SHOP BOOK | PURCHASED | DISTRIBUTION - WA - LB - WP - LM - BR | CADD FILE NO. | SS68894

ERROR: syntaxerror
OFFENDING COMMAND: --nostringval--

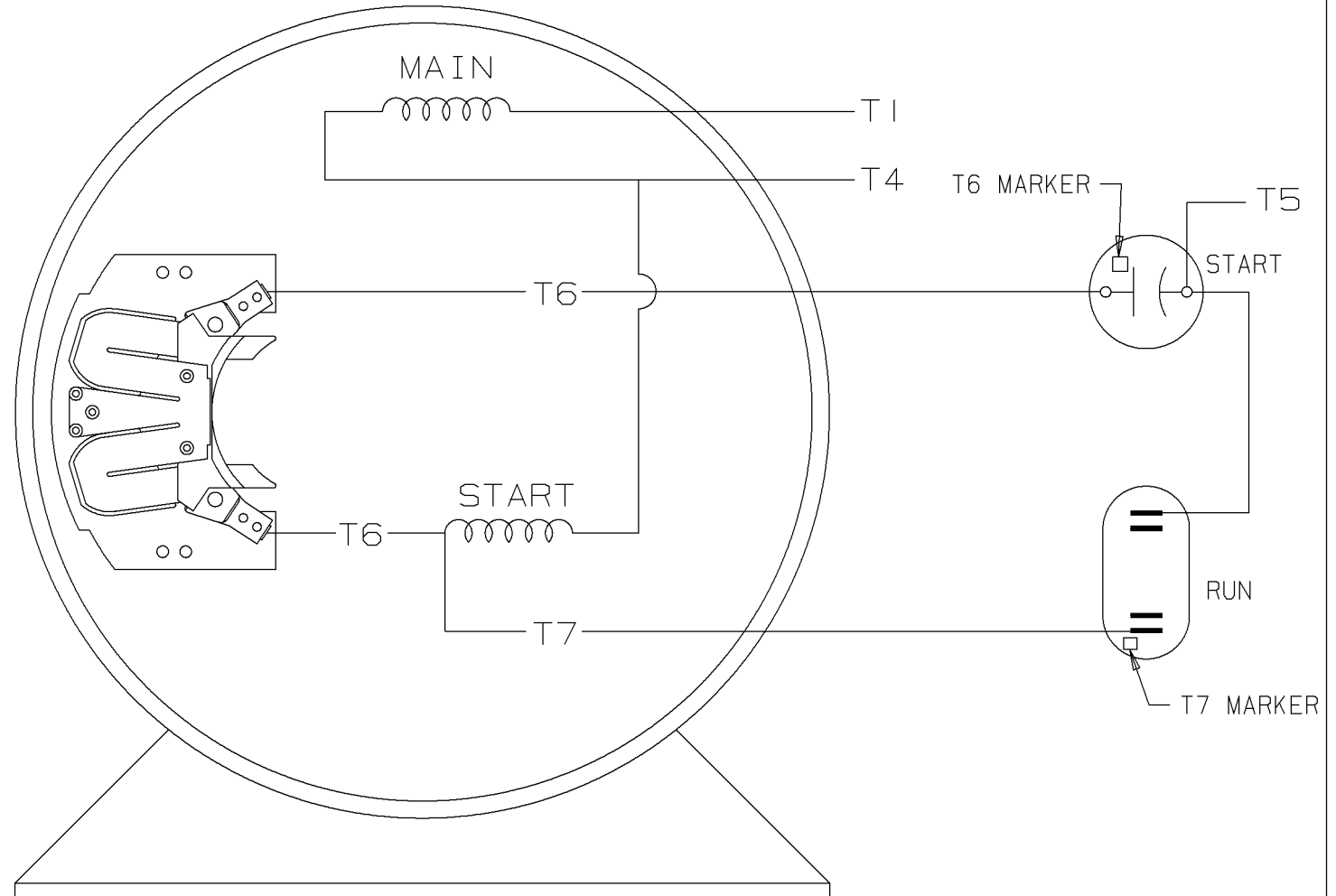
STACK:

/RS
-dictionary-
/Pscript_WinNT_Compat
-dictionary-

C.W. ROTATION



CONNECT:
START CAPACITORS IN SERIES
RUN CAPACITORS IN PARALLEL



SINGLE VOLTAGE
CAPACITOR START
CAPACITOR RUN
FIXED C.W.

VIEW OF TERMINAL END

				✓ MAX. SURFACE ROUGHNESS UNLESS NOTED OTHERWISE	UNLESS OTHERWISE SPECIFIED DIMENSIONS ARE IN INCHES TOL. ON XX± .03 XXX± .005 XXXX± .0005 ANGLES± 7°30"		
				MATL SPEC			DRAWN BY MJD 09-27-1999
				FINISH			CHKD BY ML 09-27-1999
1	09-27-1999	NEW DRAWING	CN 27700-869	MJD	WAUSAU, WISCONSIN 54401		APPD BY PH 09-27-1999
REV	DATE	CHANGE	NAME	PART NAME CONNECTION DIAGRAM			DRWG NO A- EE9048PK
	SHOP BOOK	PURCHASED	DISTRIBUTION - WA - LB - WP - LM - YK		CADD FILE NO.	EE9048PK	

```
ERROR: syntaxerror  
OFFENDING COMMAND: --nostringval--
```

```
STACK:
```

```
0  
-mark-  
/ANSIVec  
-dictionary-  
/Pscript_WinNT_Compat  
-dictionary-
```