

PRODUCT INFORMATION PACKET

Model No: 184TBDR7656

Catalog No: Z506

Air Compressor Motor, 5 HP, 1 Ph, 60 Hz, 208-230 V, 1800 RPM, 184T Frame, DP



Regal and are trademarks of Regal Rexnord Corporation or one of its affiliated companies.
©2022 Regal Rexnord Corporation, All Rights Reserved. MC017097E

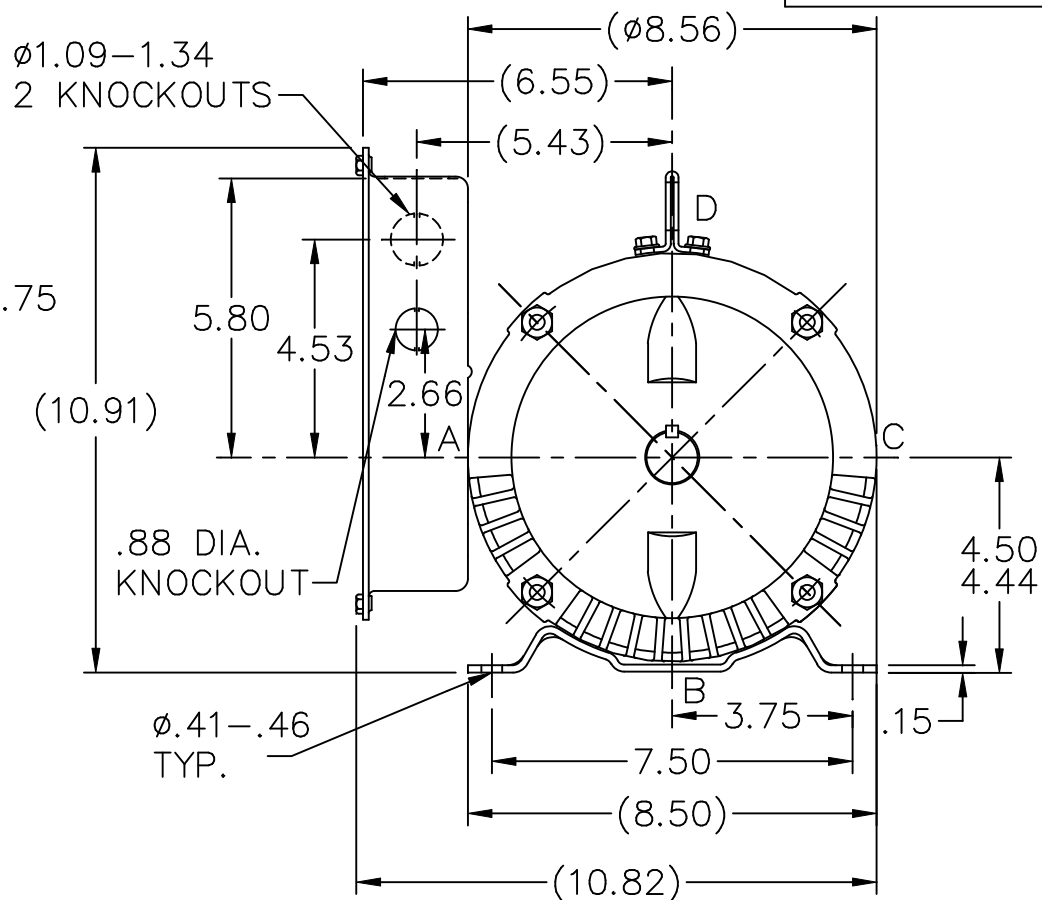
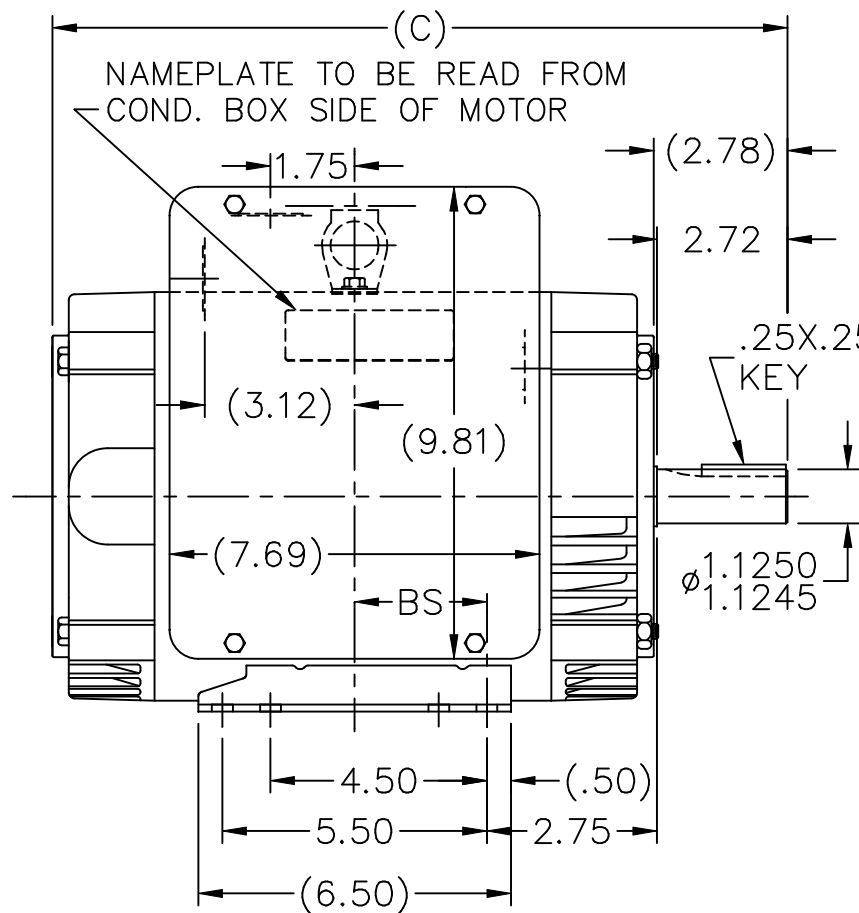
Nameplate Specifications

Output HP	5 Hp	Output KW	3.7 kW
Frequency	60 Hz	Voltage	208-230 V
Current	23.7-21.5 A	Speed	1745 rpm
Service Factor	1.15	Phase	1
Efficiency	84 %	Power Factor	89
Duty	Continuous	Insulation Class	F
Design Code	L	KVA Code	H
Frame	184T	Enclosure	Drip Proof
Thermal Protection	No Protection	Ambient Temperature	40 °C
Drive End Bearing Size	6206	Opp Drive End Bearing Size	6203
UL	Recognized	CSA	Y
CE	Y	IP Code	22
Number of Speeds	1		

Technical Specifications

Electrical Type	Capacitor Start Capacitor Run	Starting Method	Across The Line
Poles	4	Rotation	Selective Counterclockwise
Resistance Main	0 Ohms	Mounting	Rigid Base
Motor Orientation	Horizontal	Drive End Bearing	Ball
Opp Drive End Bearing	Ball	Frame Material	Rolled Steel
Shaft Type	T	Overall Length	15.22 in
Shaft Diameter	1.125 in	Shaft Extension	2.75 in
Assembly/Box Mounting	F1 ONLY		
Outline Drawing	A-SS67651-825	Connection Drawing	A-EE9048LV

This is an uncontrolled document once printed or downloaded and is subject to change without notice. Date Created:09/07/2022



DASH	FR.	C	BS
825	182T/4T	15.22	3.50
875	182T/4T	15.72	3.75
925	182T/4T	16.22	4.00

BOX CAN BE ROTATED IN 90° STEPS.

NO.	REVISION	BY & DATE	CHK	TOLERANCES UNLESS SPECIFIED	
				DEC.	INCHES
8	REDRAWN IN AUTOCAD	TAT 05-19-2005	ML	.X	±.1
7	ADDED LIFT LUG CN 34025	NJS 07-11-2001		.XX	±.03
6	COMBINE FR. TO 182/4T CN 26000-1078	CAE 11-23-1998		.XXX	±.005
5	REMOVED EYEBOLT	BLR 11-08-1995		.XXXX	±.0005
				ANG	±7'30"

MARATHON ELECTRIC

TITLE OUTLINE
180T FR. - BB - SCS - DR.PR.

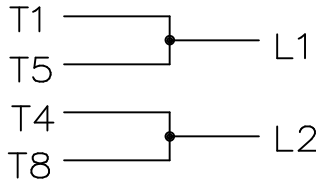
MAT'L.
FINISH

RFP
DIST LB

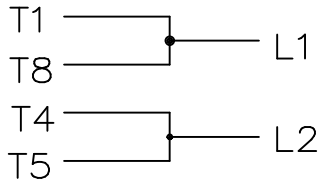
CAD FILE ss67651

DRAWN	KL 06-20-1994
CHK	ML 06-24-1994
APPD	GK 06-24-1994
SCALE	1=4
REF	
FMF	
PREV	
SIZE	A
DRAWING NO.	SS67651
PAGE	OF
REV.	8

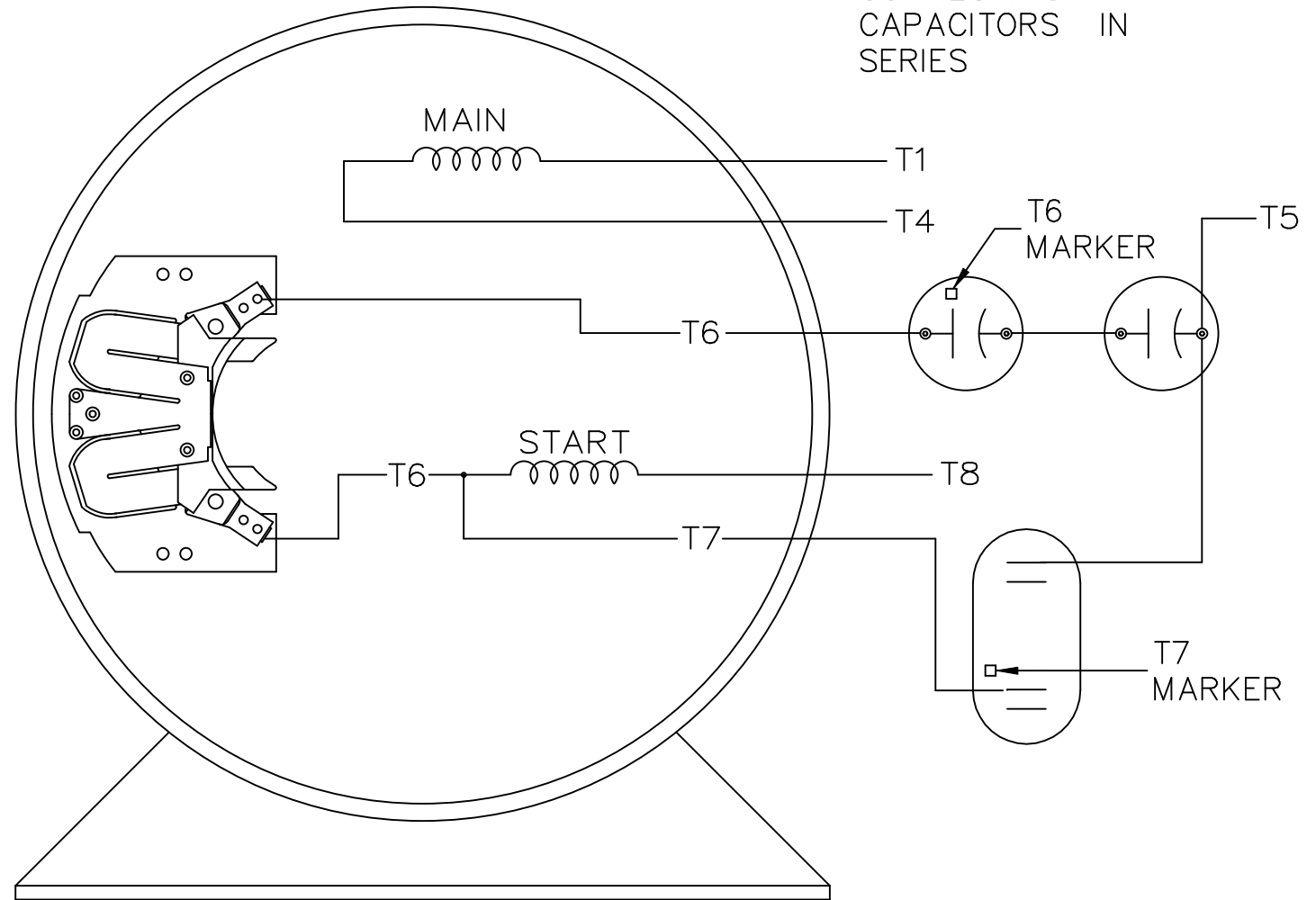
C.W. ROTATION



C.C.W. ROTATION




CONNECT: START
CAPACITORS IN
SERIES



SINGLE VOLTAGE
CAPACITOR START
CAPACITOR RUN
REVERSIBLE

VIEW OF TERMINAL END

				TOLERANCES UNLESS SPECIFIED		 REGAL-BELOIT CORPORATION		DRAWN GK 11-04-1986		
				DEC.	INCHES			CHK ML 11-04-1986		
				.X	±.1			APPD FG 11-04-1986		
				.XX	±.02	TITLE CONNECTION DIAGRAM 180-210 SWITCH		SCALE 1=1		
2	REDRAWN IN AUTOCAD	RWR 09-07-2005	ML	.XXX	±.005			REF DRW.		
1	NEW DRAWING CN7664C	GK 11-04-1986		.XXXX	±.0005	MAT'L.		FMF		
NO.	REVISION	BY & DATE	CHK	ANG	±7'30"	FINISH		PREV		
THIS DRAWING IN DESIGN AND DETAIL IS OUR PROPERTY AND MUST NOT BE USED EXCEPT IN CONNECTION WITH OUR WORK ALL RIGHTS OF DESIGN AND INVENTION ARE RESERVED THIS IS AN ELECTRONICALLY GENERATED DOCUMENT - DO NOT SCALE THIS PRINT				RFP	11-04-1986	CAD FILE EE9048LV		SIZE	DRAWING NO. PAGE 1 OF 1	REV.
				DIST	LB			A	EE9048LV	2