

# PRODUCT INFORMATION PACKET

Model No: 184TBDR7631

Catalog No: I128

Pressure Washer Motor, 3 HP, 1 Ph, 60 Hz, 208-230 V, 1800 RPM, 184T Frame, DP



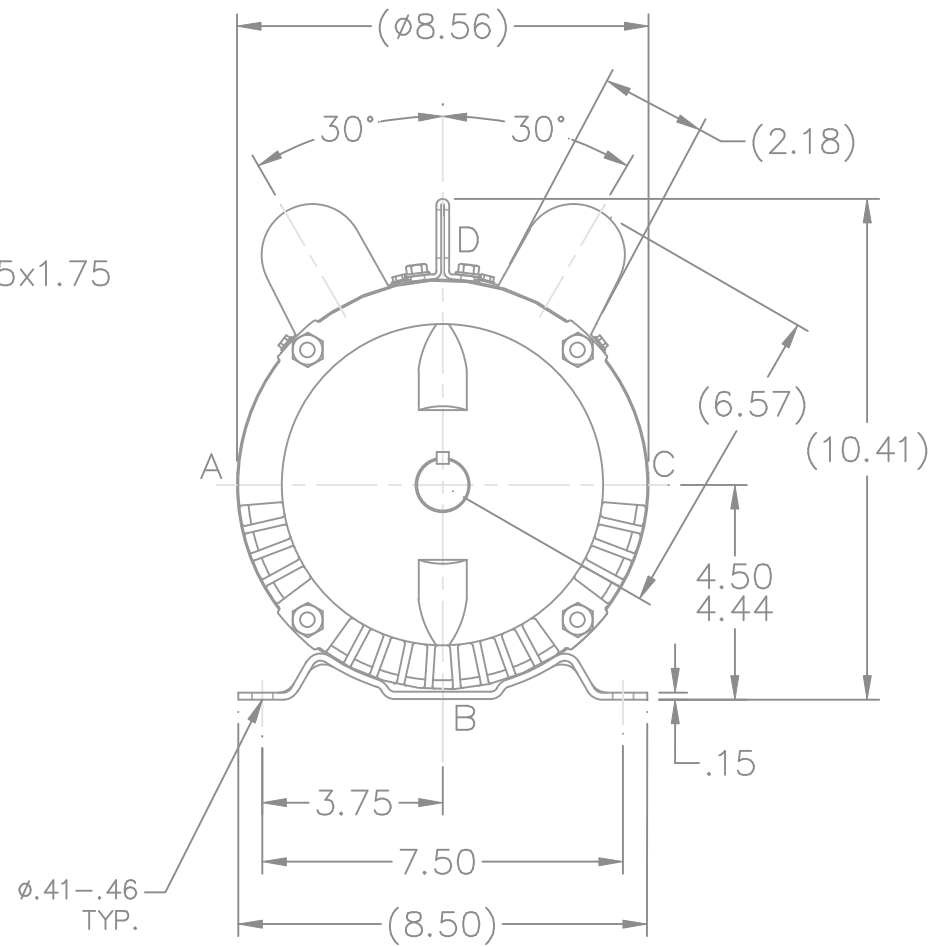
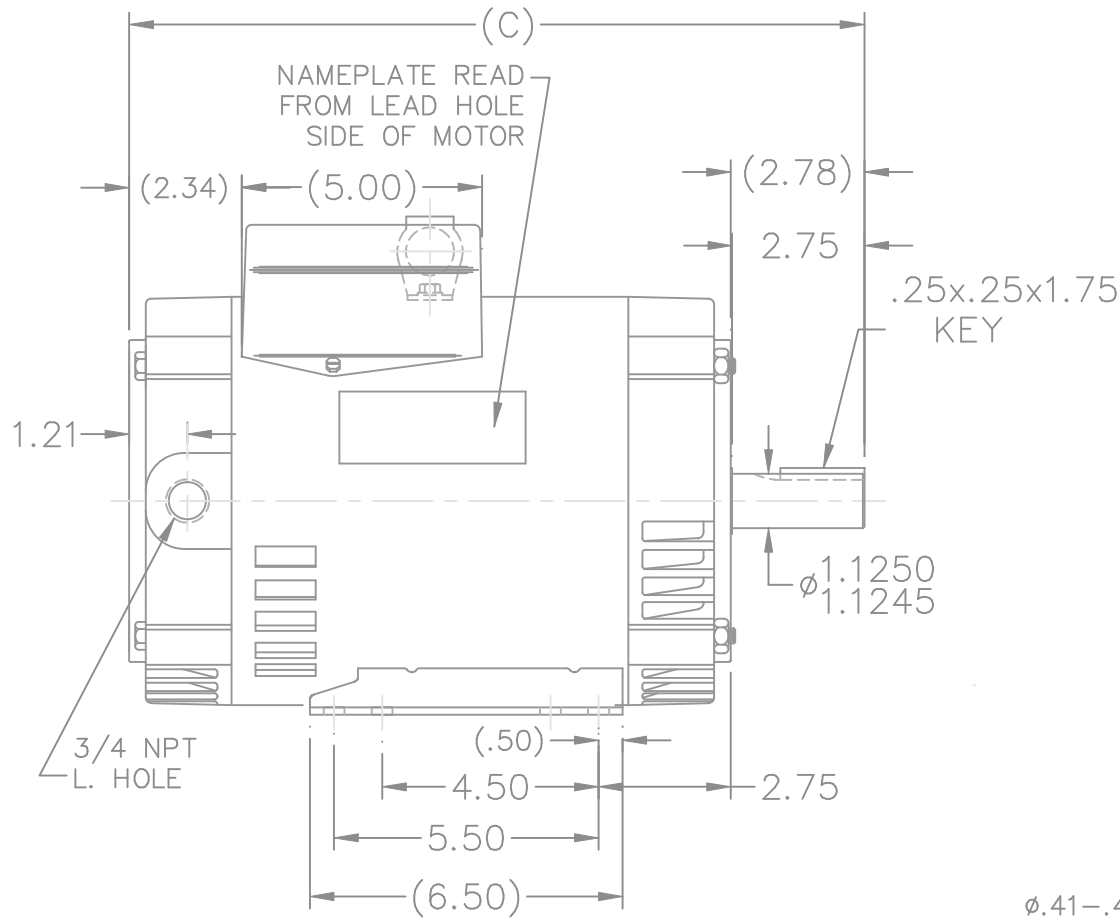
Regal and are trademarks of Regal Rexnord Corporation or one of its affiliated companies.  
©2022 Regal Rexnord Corporation, All Rights Reserved. MC017097E

### Nameplate Specifications

Output HP	<b>3 Hp</b>	Output KW	<b>2.2 kW</b>
Frequency	<b>60 Hz</b>	Voltage	<b>208-230 V</b>
Current	<b>15.4-13.7-13.7 A</b>	Speed	<b>1750 rpm</b>
Service Factor	<b>1.15</b>	Phase	<b>1</b>
Efficiency	<b>82.5 %</b>	Power Factor	<b>85.4</b>
Duty	<b>Continuous</b>	Insulation Class	<b>B</b>
Design Code	<b>NO DESIGN CODE</b>	KVA Code	<b>H</b>
Frame	<b>184T</b>	Enclosure	<b>Drip Proof</b>
Thermal Protection	<b>No Protection</b>	Ambient Temperature	<b>40 °C</b>
Drive End Bearing Size	<b>6206</b>	Opp Drive End Bearing Size	<b>6205</b>
UL	<b>Recognized</b>	CSA	<b>Y</b>
CE	<b>Y</b>	IP Code	<b>22</b>
Number of Speeds	<b>1</b>		

### Technical Specifications

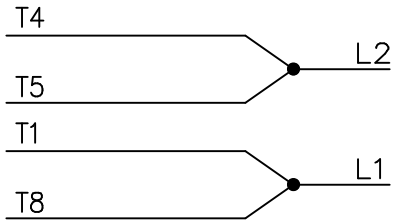
Electrical Type	<b>Capacitor Start Capacitor Run</b>	Starting Method	<b>Across The Line</b>
Poles	<b>4</b>	Rotation	<b>Selective Clockwise</b>
Resistance Main	<b>0 Ohms</b>	Mounting	<b>Rigid Base</b>
Motor Orientation	<b>Horizontal</b>	Drive End Bearing	<b>Ball</b>
Opp Drive End Bearing	<b>Ball</b>	Frame Material	<b>Rolled Steel</b>
Shaft Type	<b>T</b>	Overall Length	<b>15.29 in</b>
Frame Length	<b>8.25 in</b>	Shaft Diameter	<b>1.125 in</b>
Shaft Extension	<b>2.75 in</b>	Assembly/Box Mounting	<b>F1 ONLY</b>
Outline Drawing	<b>A-SS67836-825</b>	Connection Drawing	<b>A-EE9048MA</b>



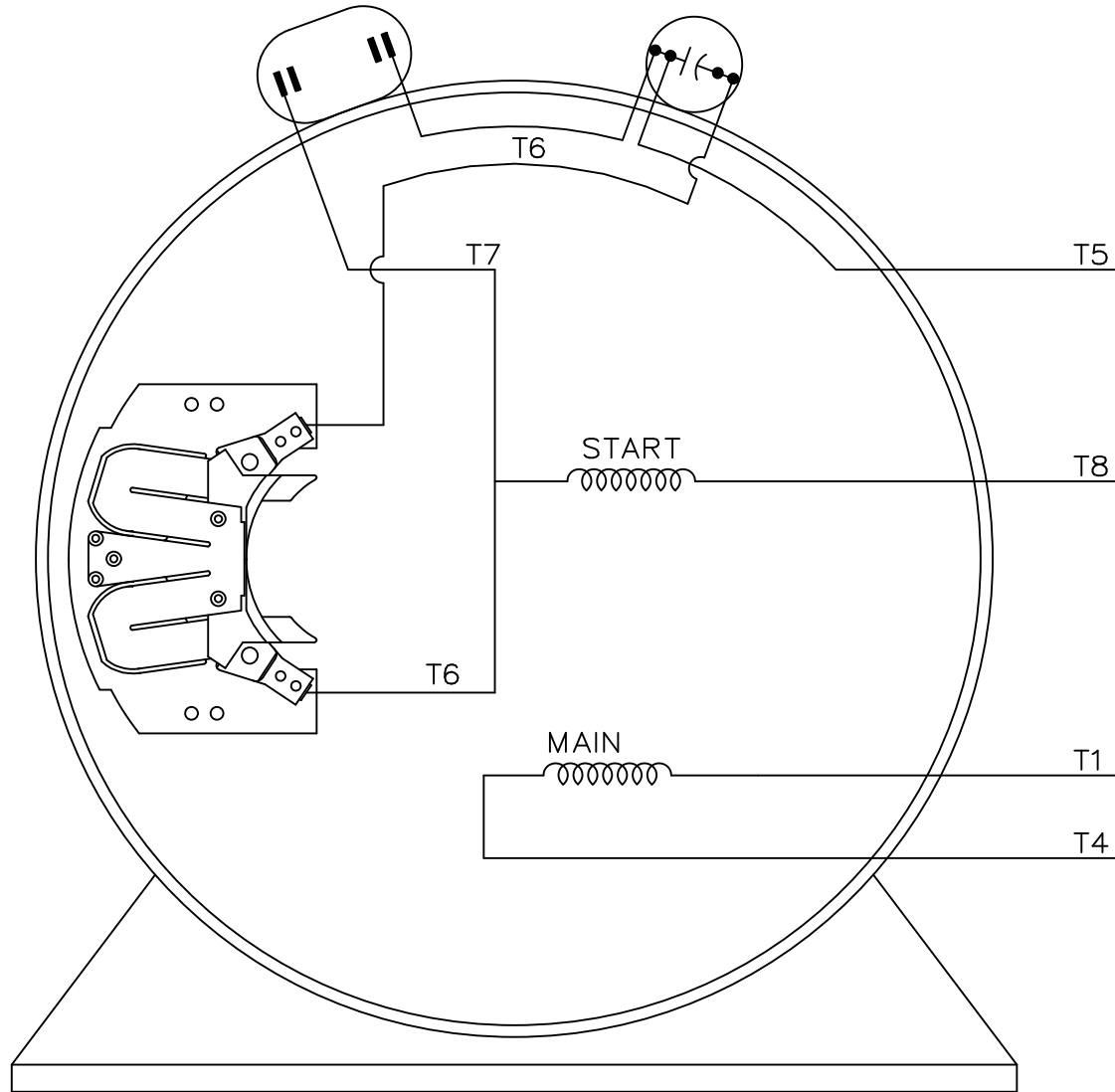
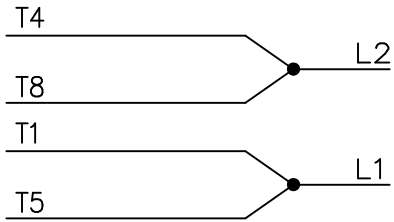
DASH	FR.	C
825	182T	15.29
825	184T	15.29
875	184T	15.79
925	184T	16.29

			TOLERANCES UNLESS SPECIFIED			DRAWN LZ 09-18-1994			
			DEC.	INCHES		CHK ML 09-29-1994	APPD GK 09-29-1994		
5	ADDED LIFT LUG CN34025	HLB 07-19-2001	.X	±.1	<b>TITLE OUTLINE</b> 180T FR. - DR. PR.	SCALE 1=4			
4	CLARIFIED REMOVAL OF EYEBOLT CLARIFIED SHAFT DIA. CN23925-617	MRB 11-21-1997	.XX	±.03		REF A-SS67836	FMF		
3	ADDED NEW BASE (68105-2) CN14442	MRB 11-06-1995	.XXX	±.005	MAT'L.	PREV			
NO.	REVISION	BY & DATE	CHK	ANG	FINISH				
			RFP	09-29-1994	CAD FILE SS67836	SIZE A	DRAWING NO. SS67836	PAGE OF	REV. 5
			DIST	LB					

C.C.W. ROTATION



C.W. ROTATION



SINGLE VOLTAGE  
CAPACITOR START  
CAPACITOR RUN  
REVERSIBLE

VIEW OF TERMINAL END

				TOLERANCES UNLESS SPECIFIED			DRAWN GK 01-10-1987		
				DEC.	INCHES		CHK		
				.X	± -		APPD		
				.XX	± -		SCALE		
				.XXX	± -		REF		
1	NEW DRAWING	CN-7664C	GK 01-10-1987	.XXXX	± -	MAT'L.	FMF		
NO.	REVISION	BY & DATE	CHK	ANG	± -	FINISH	PREV		
THIS DRAWING IN DESIGN AND DETAIL IS OUR PROPERTY AND MUST NOT BE USED EXCEPT IN CONNECTION WITH OUR WORK ALL RIGHTS OF DESIGN AND INVENTION ARE RESERVED THIS IS AN ELECTRONICALLY GENERATED DOCUMENT - DO NOT SCALE THIS PRINT				RFP	CAD FILE EE9048MA		SIZE A	DRAWING NO. EE9048MA	REV. 1
				DIST					

ERROR: undefined  
OFFENDING COMMAND: my

STACK:

/\$x