

# PRODUCT INFORMATION PACKET

Model No: 184TBDR7628

Catalog No: I305

Pressure Washer Motor, 3 HP, 1 Ph, 60 Hz, 208-230 V, 1800 RPM, 184TC Frame, DP



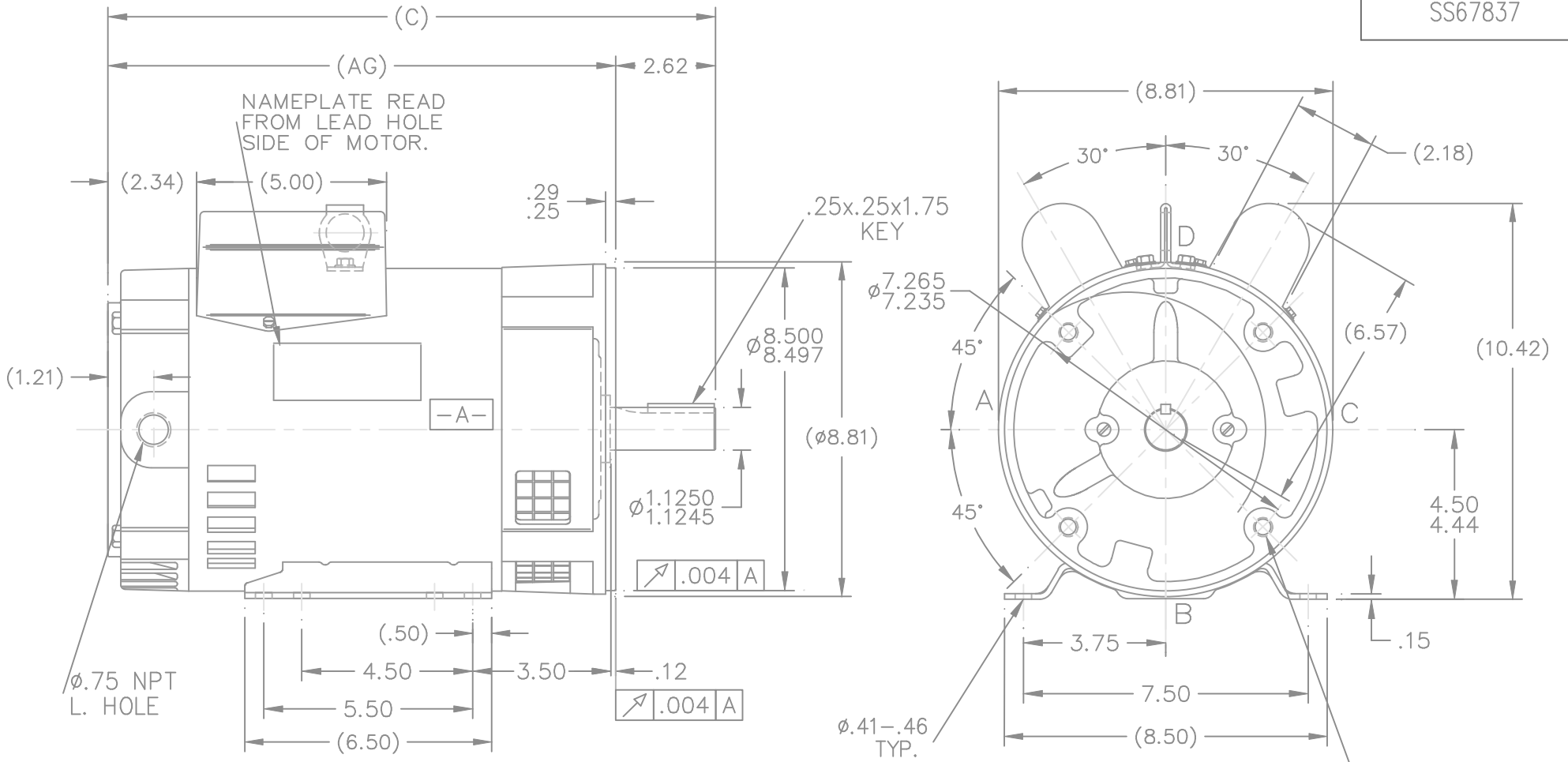
Regal and are trademarks of Regal Rexnord Corporation or one of its affiliated companies.  
©2022 Regal Rexnord Corporation, All Rights Reserved. MC017097E

### Nameplate Specifications

Output HP	<b>3 Hp</b>	Output KW	<b>2.2 kW</b>
Frequency	<b>60 Hz</b>	Voltage	<b>208-230 V</b>
Current	<b>15.0-13.7 A</b>	Speed	<b>1750 rpm</b>
Service Factor	<b>1.15</b>	Phase	<b>1</b>
Efficiency	<b>82.5 %</b>	Power Factor	<b>85.4</b>
Duty	<b>Continuous</b>	Insulation Class	<b>B</b>
Design Code	<b>NO DESIGN CODE</b>	KVA Code	<b>H</b>
Frame	<b>184TC</b>	Enclosure	<b>Drip Proof</b>
Thermal Protection	<b>Manual</b>	Ambient Temperature	<b>40 °C</b>
Drive End Bearing Size	<b>6207</b>	Opp Drive End Bearing Size	<b>6205</b>
UL	<b>Recognized ( Not Protector)</b>	CSA	<b>Y</b>
CE	<b>Y</b>	IP Code	<b>12</b>
Number of Speeds	<b>1</b>		

### Technical Specifications

Electrical Type	<b>Capacitor Start Capacitor Run</b>	Starting Method	<b>Across The Line</b>
Poles	<b>4</b>	Rotation	<b>Selective Clockwise</b>
Resistance Main	<b>0 Ohms</b>	Mounting	<b>Rigid Base</b>
Motor Orientation	<b>Horizontal</b>	Drive End Bearing	<b>Ball</b>
Opp Drive End Bearing	<b>Ball</b>	Frame Material	<b>Rolled Steel</b>
Shaft Type	<b>T</b>	Overall Length	<b>15.96 in</b>
Frame Length	<b>8.25 in</b>	Shaft Diameter	<b>1.125 in</b>
Shaft Extension	<b>2.62 in</b>	Assembly/Box Mounting	<b>F1 ONLY</b>
Connection Drawing	<b>A-EE9048LZ</b>	Outline Drawing	<b>A-SS67837-825</b>



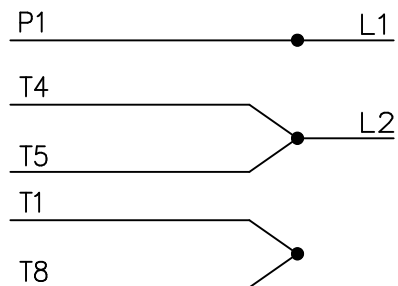
1/2-13UNC-2B  
.75 FULL THD.  
4 HOLES

DASH	FR.	C	AG
825	184T	15.96	13.34
875	184T	16.46	13.84
925	184T	16.96	14.34

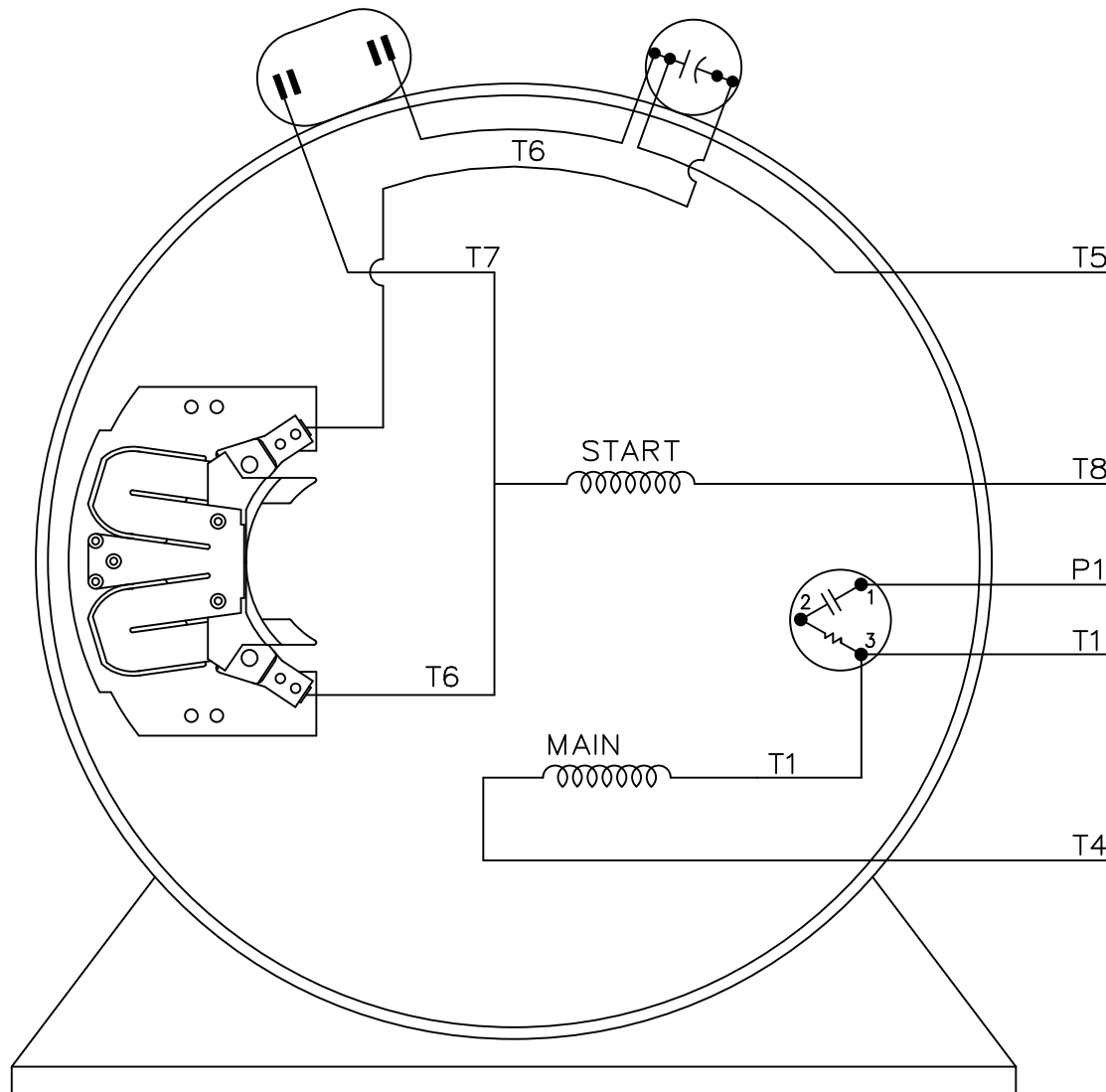
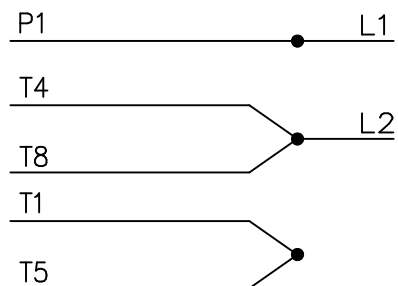
				TOLERANCES UNLESS SPECIFIED		MARATHON ELECTRIC	DRAWN LZ 08-18-1994	
NO.	REVISION	BY & DATE	CHK	ANG	INCHES		SCALE	1=4
6	REMOVED NOTE FOR C'BOX ROTATION	DRS 02-11-2003	ML	DEC.	±.1	TITLE OUTLINE 180T FR. - BB - DR.PR.	CHK	ML 09-29-1994
5	ADDED LIFT LUG CN 34025	HLB 07-19-2001		.X			APPD	GK 09-29-1994
4	REMOVED 2F & B CN 14442	MH 01-14-1997		.XX	±.03		SCALE	1=4
3	ADDED NEW BASE (68105-2) CN 14442	MRB 11-06-1995		.XXX	±.005		REF	
2	REDRAWN ON CADD - ADDED EYEBOLT CN 17121	LZ 10-03-1994		.XXXX	±.0005		FMF	
				RFP		MAT'L.	PREV	
THIS DRAWING IN DESIGN AND DETAIL IS OUR PROPERTY AND MUST NOT BE USED EXCEPT IN CONNECTION WITH OUR WORK ALL RIGHTS OF DESIGN AND INVENTION ARE RESERVED THIS IS AN ELECTRONICALLY GENERATED DOCUMENT - DO NOT SCALE THIS PRINT				DIST	WP	FINISH		
						CAD FILE	ss67837	
						SIZE	A	
						DRAWING NO.	SS67837	
						PAGE		
						OF		
						REV.		6

SINGLE VOLTAGE  
CAPACITOR START  
CAPACITOR RUN  
REVERSIBLE


C.C.W. ROTATION



C.W. ROTATION



VIEW OF TERMINAL END

				TOLERANCES UNLESS SPECIFIED			DRAWN GK 01-10-1987
				DEC.	INCHES		CHK
				.X	± -		APPD
				.XX	± -		SCALE
				.XXX	± -		REF
1	NEW DRAWING	CN-7664C	GK 01-10-1987	.XXXX	± -	TITLE CONNECTION DIAGRAM 180 -210 SWITCH	FMF
NO.	REVISION	BY & DATE	CHK	ANG	± -	FINISH	PREV
THIS DRAWING IN DESIGN AND DETAIL IS OUR PROPERTY AND MUST NOT BE USED EXCEPT IN CONNECTION WITH OUR WORK ALL RIGHTS OF DESIGN AND INVENTION ARE RESERVED THIS IS AN ELECTRONICALLY GENERATED DOCUMENT - DO NOT SCALE THIS PRINT				RFP	CAD FILE	EE9048LZ	SIZE A
				DIST	DRAWING NO. EE9048LZ		REV. 1

CERTIFICATION DATA SHEET

Model#: 184TBDR7628 AU WINDING#: BK8422 NONE 2  
 CONN. DIAGRAM: A-EE9048LZ ASSEMBLY: F1 ONLY  
 OUTLINE: A-SS67837-825

TYPICAL MOTOR PERFORMANCE DATA

HP	KW	SYNC. RPM	F.L. RPM	FRAME	ENCLOSURE	KVA CODE	DESIGN
3	2.24	1800	1750	184TC	DP	H	NO DESIGN CODE

PH	Hz	VOLTS	FL AMPS	START TYPE	DUTY	INSL	S.F	AMB°C	ELEVATION
1	60	208-230	15-13.7	ACROSS THE LINE	CONTINUOUS	B3	1.15	40	3300

FULL LOAD EFF: 82.5	3/4 LOAD EFF: 80.9	1/2 LOAD EFF: 75.6	GTD. EFF	ELEC. TYPE	NO LOAD AMPS
FULL LOAD PF: 85.4	3/4 LOAD PF: 83.7	1/2 LOAD PF: 76.1	0	CAP START CAP RUN	5.5

F.L. TORQUE	LOCKED ROTOR AMPS	L.R. TORQUE	B.D. TORQUE	F.L. RISE°C
9 LB-FT	88.9	16.9 LB-FT 188	23.3 LB-FT 259	55

SOUND PRESSURE @ 3 FT.	SOUND POWER	ROTOR WK^2	MAX. WK^2	SAFE STALL TIME	STARTS /HOUR	APPROX. MOTOR WGT
68 dBA	78 dBA	0 LB-FT^2	- LB-FT^2	- SEC.	-	0 LBS.

\*\*\* SUPPLEMENTAL INFORMATION \*\*\*

DE BRACKET TYPE	ODE BRACKET TYPE	MOUNT TYPE	ORIENTATION	SEVERE DUTY	HAZARDOUS LOCATION	DRIP COVER	SCREENS	PAINT
C-FACE	STANDARD	RIGID	HORIZONTAL	FALSE	NONE	FALSE	NONE	GRAY (ENAMEL)

BEARINGS		GREASE	SHAFT TYPE	SPECIAL DE	SPECIAL ODE	SHAFT MATERIAL	FRAME MATERIAL
DE	OPE						
BALL	BALL	POLYREX EM	T	NONE	NONE	1144 STRESSPROOF (C-223)	ROLLED STEEL
6207	6205						

THERMO-PROTECTORS				THERMISTORS	CONTROL	SPACE /n HEATERS
THERMOSTATS	PROTECTORS	WDG RTDs	BRG RTDs			
NONE	MANUAL	NONE	NONE	NONE	FALSE	NONE VOLTS

If Inverter equals NONE, contact factory for further information

\*  
N  
O  
T  
E  
S  
\*

INVERTER TORQUE: NONE
INV. HP SPEED RANGE: NONE
ENCODER: NONE
NONE NONE
NONE NONE PPR
BRAKE: NONE NONE
NONE P/N NONE
NONE NONE
NONE FT-LB NONE V NONE Hz

DATE: 07/08/2017 12:39:18 AM  
 FORM 3531 REV.3 02/07/99  
 \*\* Subject to change without notice.



**MARATHON ELECTRIC CORPORATION**  
TYPICAL PERFORMANCE CURVE for AC MOTOR

Customer

Curve at 230  
60  
3

Volts  
HZ  
HP

HP 3

PHASE 1

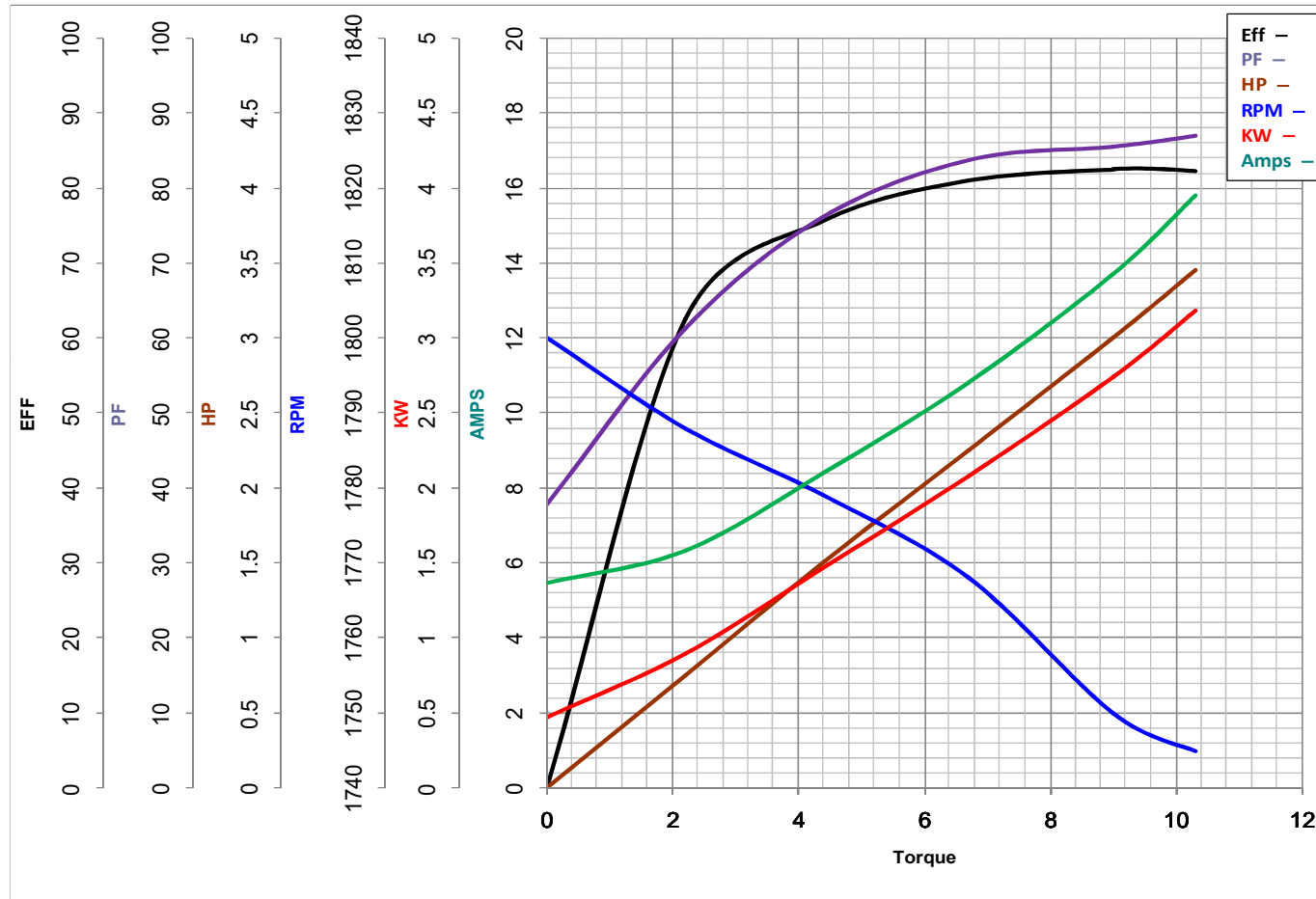
Model No 184TBDR7628

VOLTS 208-230

Catalog No I305

HZ 60

RPM 1750



Eff -  
PF -  
HP -  
RPM -  
KW -  
Amps -

Torque in Lb.Ft

FL TORQUE 9 Lb.Ft  
BD TORQUE 23.3 Lb.Ft  
LR TORQUE 16.9 Lb.Ft

FL AMPS 15-13.7  
PU TORQUE 14.5 Lb.Ft  
LR AMPS 88.9

WINDING BK8422-2

Date 1/10/2019