

# PRODUCT INFORMATION PACKET

Model No: 184TBDR7369

Catalog No: Z124

5 HP Single Phase HVAC/R Motor, 1 phase, 1800 RPM, 208-230 V, 184T Frame, ODP  
Fan and Blower Motors



Regal and Marathon are trademarks of Regal Rexnord Corporation or one of its affiliated companies.  
©2021 Regal Rexnord Corporation, All Rights Reserved. MC017097E

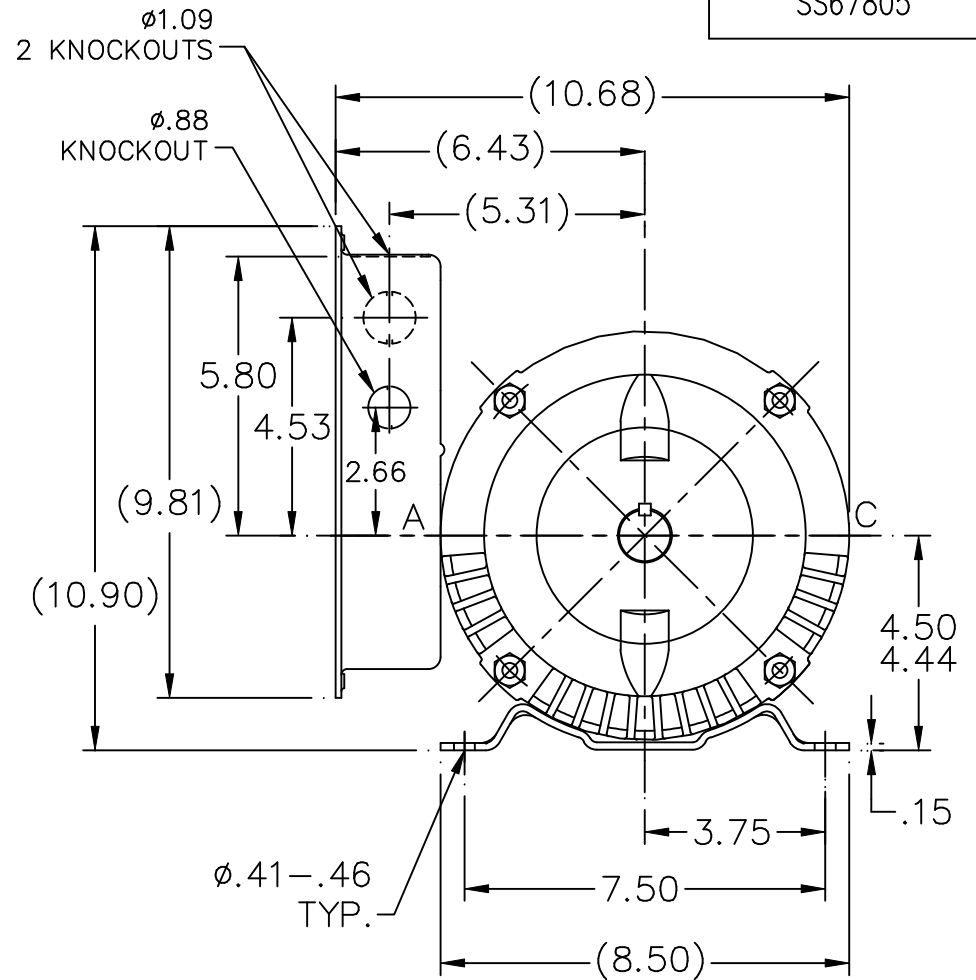
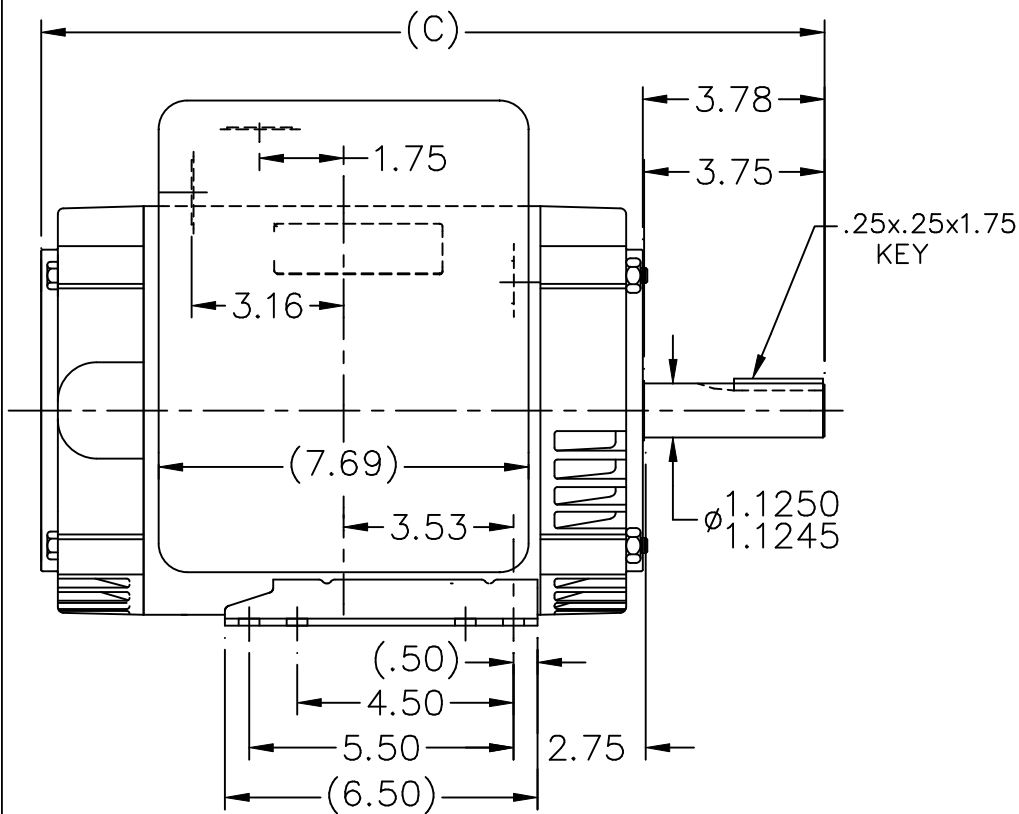
### Nameplate Specifications

Output HP	<b>5 Hp</b>	Output KW	<b>3.7 kW</b>
Frequency	<b>60 Hz</b>	Voltage	<b>208-230 V</b>
Current	<b>23.0-21.0 A</b>	Speed	<b>1725 rpm</b>
Service Factor	<b>1.15</b>	Phase	<b>1</b>
Efficiency	<b>82.5 %</b>	Power Factor	<b>92.8</b>
Duty	<b>Continuous</b>	Insulation Class	<b>F</b>
Design Code	<b>L</b>	KVA Code	<b>H</b>
Frame	<b>184T</b>	Enclosure	<b>Drip Proof</b>
Thermal Protection	<b>Thermostats (N/C)</b>	Ambient Temperature	<b>40 °C</b>
Drive End Bearing Size	<b>6206</b>	Opp Drive End Bearing Size	<b>6205</b>
UL	<b>No</b>	CSA	<b>Y</b>
CE	<b>Y</b>	IP Code	<b>12</b>
Number of Speeds	<b>1</b>		

### Technical Specifications

Electrical Type	<b>Capacitor Start Capacitor Run</b>	Starting Method	<b>Across The Line</b>
Poles	<b>4</b>	Rotation	<b>Selective Counterclockwise</b>
Resistance Main	<b>0 Ohms</b>	Mounting	<b>Rigid Base</b>
Motor Orientation	<b>Horizontal</b>	Drive End Bearing	<b>Ball</b>
Opp Drive End Bearing	<b>Ball</b>	Frame Material	<b>Rolled Steel</b>
Shaft Type	<b>T</b>	Assembly/Box Mounting	<b>F1 ONLY</b>
Outline Drawing	<b>A-SS67805-875</b>	Connection Drawing	<b>A-EE9048LT</b>

This is an uncontrolled document once printed or downloaded and is subject to change without notice. Date Created:10/12/2021

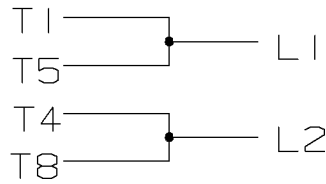


DASH	FR.	C	BS
825	182T	16.29	3.53
825	184T	16.29	3.53
875	184T	16.79	3.78
925	184T	17.29	4.03

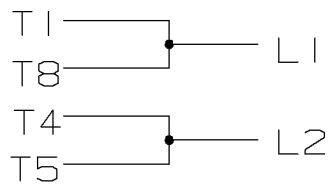
- NOTES:  
 1. CONDUIT BOX CAN BE ROTATED IN 90° STEPS.  
 2. NAMEPLATE TO BE READ FROM CONDUIT BOX SIDE OF MOTOR.

				TOLERANCES UNLESS SPECIFIED		MARATHON ELECTRIC	DRAWN BRH 10-27-1995					
				DEC.	INCHES		CHK	DA	11-07-1995			
				.X	±.1	TITLE OUTLINE 180T FR. - BB - SCS - DR. PR.	APPD	GK	11-07-1995	SCALE	1=4	
4	UPDATED DRAWING		RJW	05-14-2007	.XXX		±.005	REF				
3	REDRAWN ON CADD W/NEW BASE CN14442		BRH	11-07-1995	.XXXX		±.0005	FMF				
NO.	REVISION		BY & DATE	CHK	ANG		±7'30"	PREV				
THIS DRAWING IN DESIGN AND DETAIL IS OUR PROPERTY AND MUST NOT BE USED EXCEPT IN CONNECTION WITH OUR WORK ALL RIGHTS OF DESIGN AND INVENTION ARE RESERVED THIS IS AN ELECTRONICALLY GENERATED DOCUMENT - DO NOT SCALE THIS PRINT				RFP	CAD FILE SS67805			SIZE	DRAWING NO.	PAGE	OF	REV.
				DIST	LB			A	SS67805			4

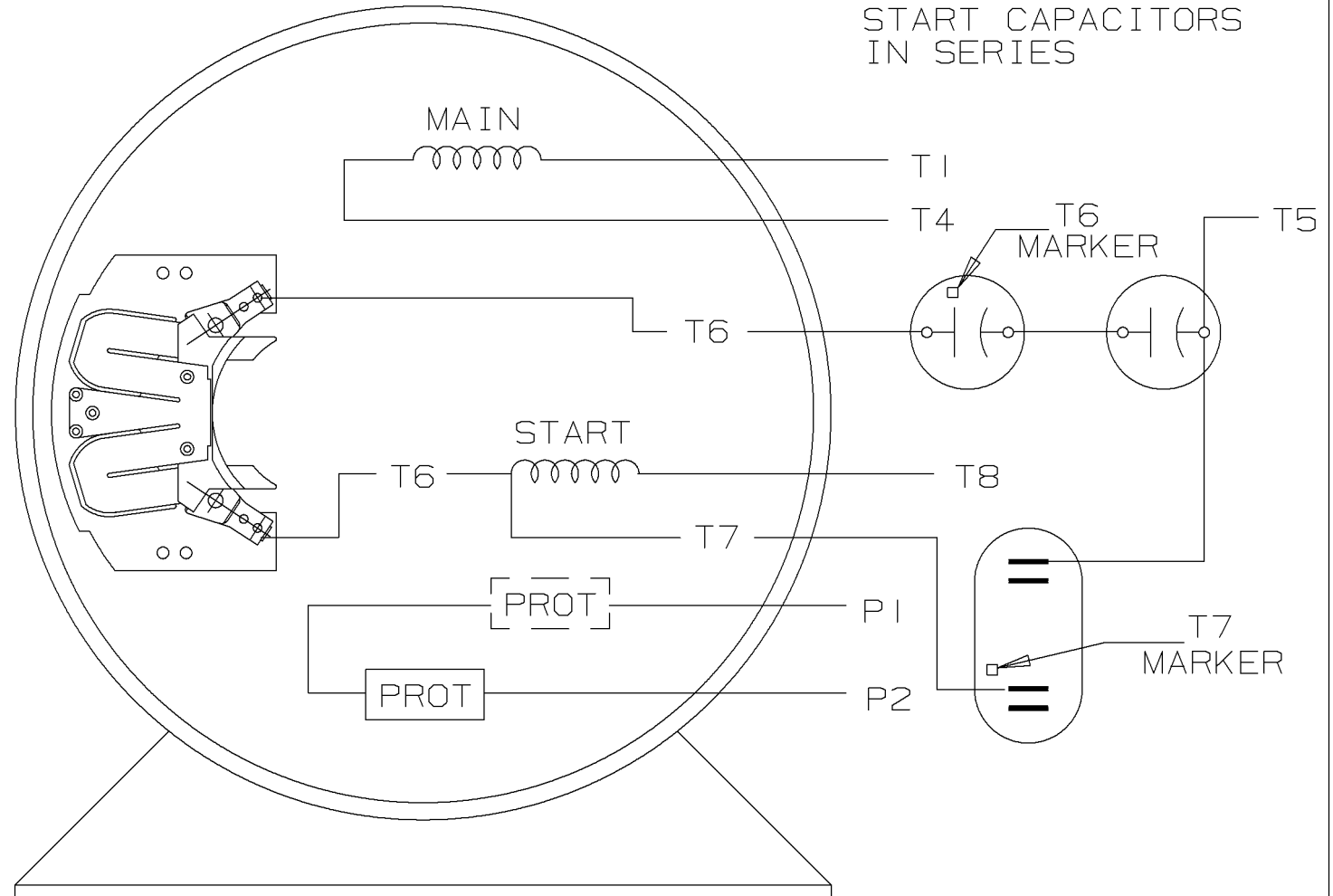
C.W. ROTATION



C.C.W. ROTATION



CONNECT:  
START CAPACITORS  
IN SERIES



SINGLE VOLTAGE  
CAPACITOR START  
CAPACITOR RUN  
REVERSIBLE

VIEW OF TERMINAL END

				✓ MAX. SURFACE ROUGHNESS UNLESS NOTED OTHERWISE	UNLESS OTHERWISE SPECIFIED DIMENSIONS ARE IN INCHES TOL. ON XX±    XXX±.005    XXXX±.0005    ANGLES±			
				MATL SPEC	180 - 210 SWITCH		DRAWN BY GK	11-01-1986
				FINISH			CHKD BY ML	11-01-1986
1		11-04-1986	NEW DRAWING	REFERENCE DRW.			WAUSAU, WISCONSIN 54401	
REV	DATE	CHANGE		NAME	PART NAME CONNECTION DIAGRAM			DRWG NO A-EE9048LT

SHOP BOOK

PURCHASED

DISTRIBUTION - WA - LB - WP - LM - BR

CADD FILE NO.

EE9048LT