

PRODUCT INFORMATION PACKET

marathon[®]
Motors

Model No: 182TTWD14032

Catalog No: N448A

General Purpose Motor, 3 & 2 HP, 3 Ph, 60 & 50 Hz, 230/460 & 190/380 V, 1800 & 1500 RPM,
182TC Frame, TEFC

Regal and Marathon are trademarks of Regal Rexnord Corporation or one of its affiliated companies.

©2023 Regal Rexnord Corporation, All Rights Reserved. MC017097E

RegalRexnord

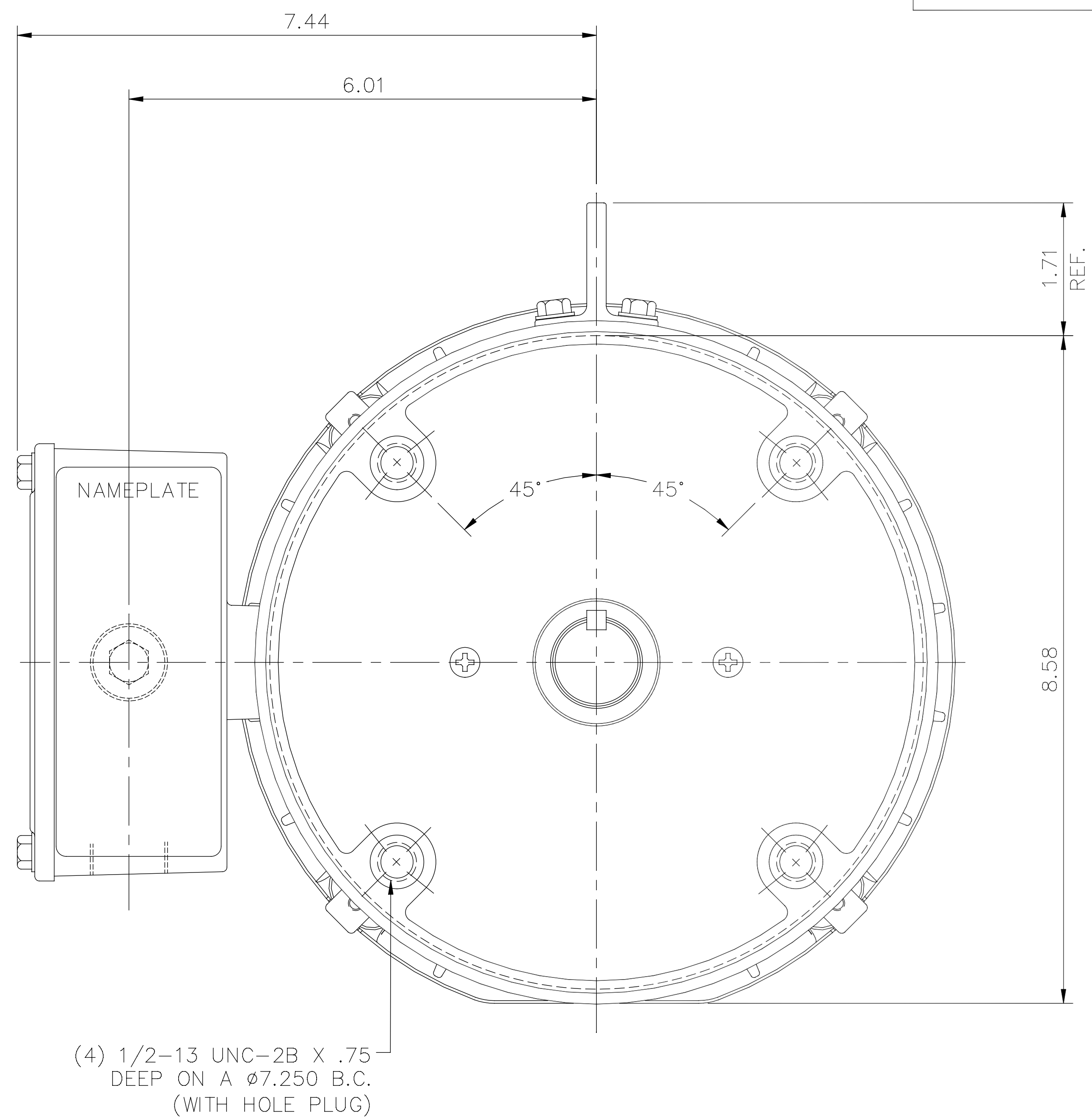
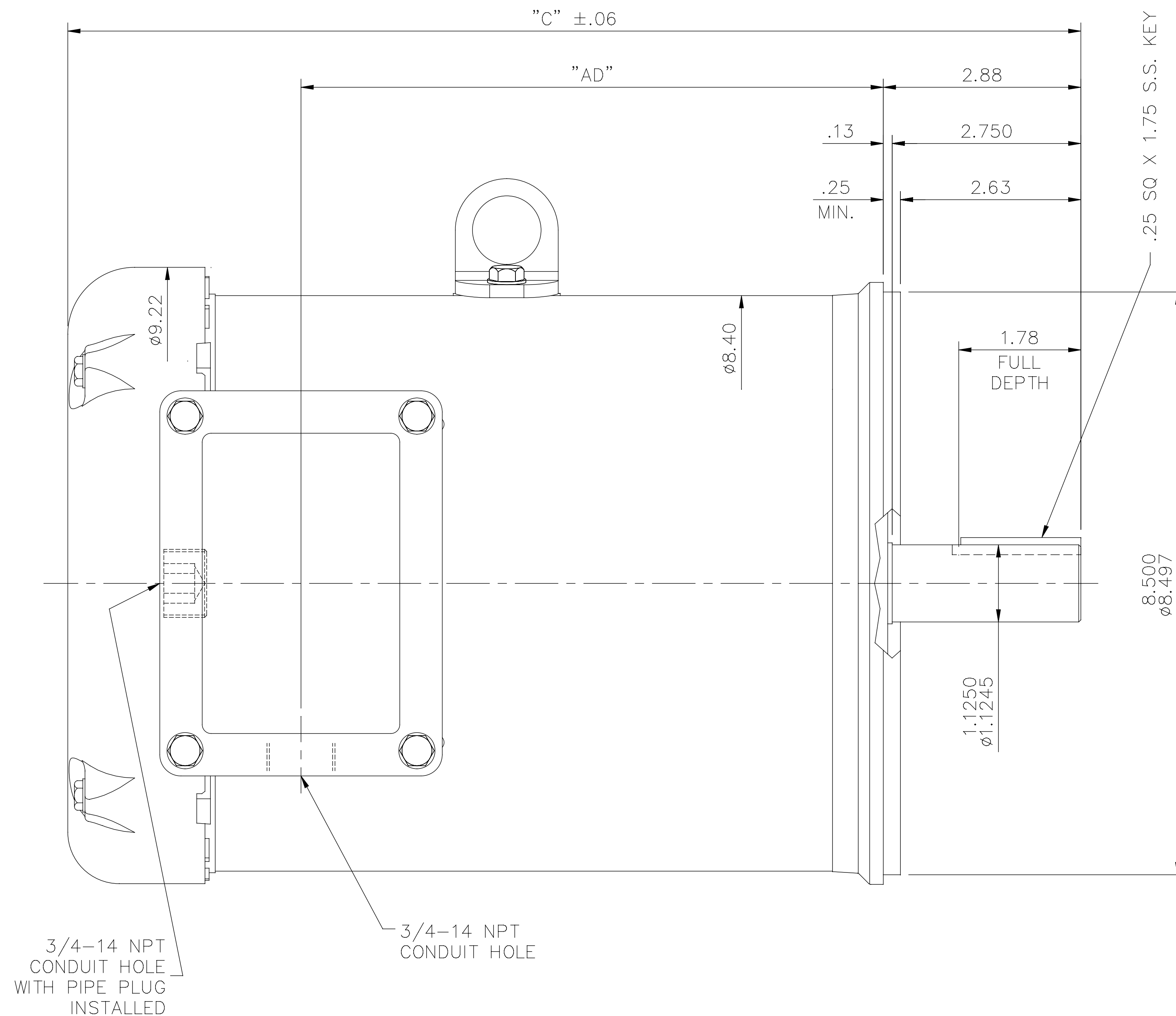


Nameplate Specifications

Phase	3	Output HP	3 & 2 Hp
Output KW	2.2 & 1.5 kW	Voltage	230/460 & 190/380 V
Speed	1760 & 1470 rpm	Service Factor	1.15 & 1.15
Frame	182TC	Enclosure	Totally Enclosed Fan Cooled
Thermal Protection	No Protection	Efficiency	87.5 %
Ambient Temperature	40 °C	Frequency	60 & 50 Hz
Current	8.6/4.3 & 7.8/3.9 A	Power Factor	74
Duty	Continuous	Insulation Class	F
Design Code	B	KVA Code	K
Drive End Bearing Size	6207	Opp Drive End Bearing Size	6207
UL	Recognized	CSA	Y
CE	Y	IP Code	56
Number of Speeds	1		

Technical Specifications

Electrical Type	Squirrel Cage Inverter Rated	Starting Method	Line Or Inverter
Poles	4	Rotation	Reversible
Resistance Main	4.4 Ohms	Mounting	Round
Motor Orientation	Horizontal	Drive End Bearing	Ball
Opp Drive End Bearing	Ball	Frame Material	Stainless Steel
Shaft Type	T	Overall Length	14.77 in
Frame Length	9.00 in	Shaft Diameter	1.125 in
Shaft Extension	2.75 in	Assembly/Box Mounting	F1 Only
Inverter Load	CONSTANT 3:1		
Outline Drawing	035438ME-900	Connection Drawing	005010.01ME



3/4-14 NPT CONDUIT HOLE WITH PIPE PLUG INSTALLED

3/4-14 NPT CONDUIT HOLE

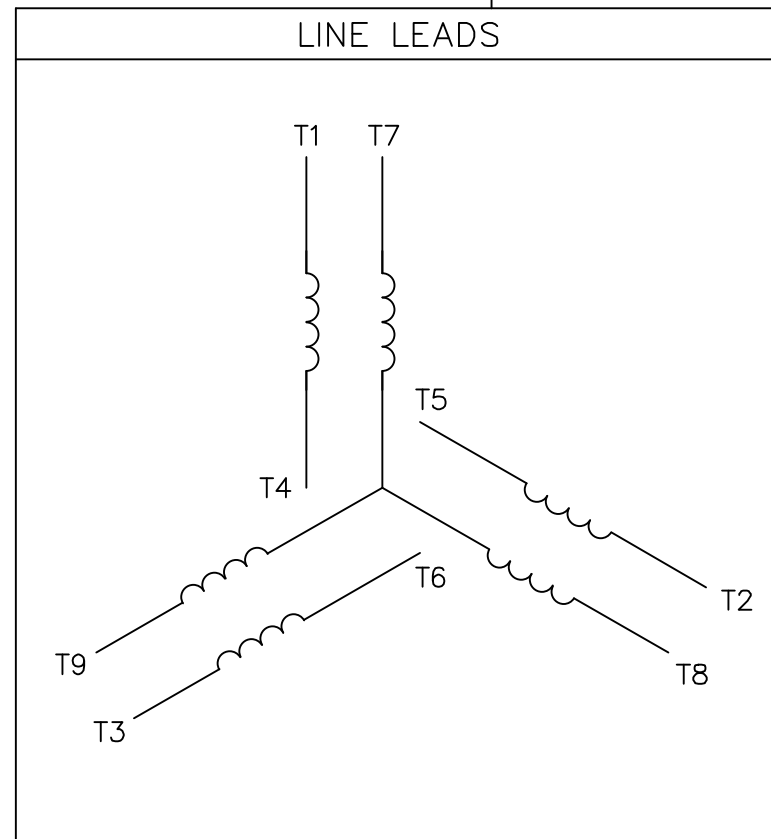
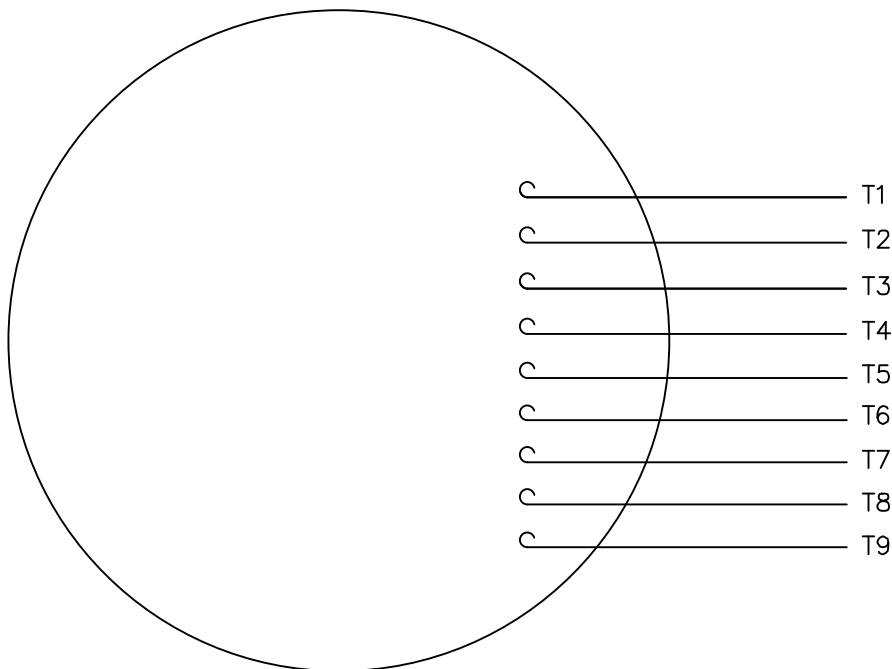
MAXIMUM FACE RUNOUT TO BE .004 T.I.R.
 MAXIMUM PILOT ECCENTRICITY TO BE .004 T.I.R.
 PERMISSIBLE SHAFT RUNOUT TO BE .002 T.I.R.

- SPECIAL FEATURES:
- 1) DOUBLE LIP OIL SEALS BOTH ENDS
 - 2) GASKETS THROUGHOUT
 - 3) O-RING SEALED ENDBELLS & THRU BOLTS
 - 4) LOCKED BEARING W/SEALED LOCK SCREWS

DASH NO.	"C"	"AD"
850	14.27	7.99
900	14.77	8.49
950	15.27	8.99
1000	15.77	9.49

		TOLERANCES UNLESS SPECIFIED		MARATHON ELECTRIC		DRAWN TJW 7/6/2007	
		DEC.	INCHES			CHK ML 7/6/2007	
		.X	±.1			APPD GK 7/6/2007	
		.XX	±.03	TITLE		SCALE 1=2	
02		ADDED DASH # 1000	LK 11/27/15	GR	.XXX	±.005	REF
01		ADDED DASH # 850	PVR 03/25/14	JD	.XXXX	±.0005	FMF
NO.	REVISION	BY & DATE	CHK	ANG	FINISH	PREV	
THIS DRAWING IN DESIGN AND DETAIL IS OUR PROPERTY AND MUST NOT BE USED EXCEPT IN CONNECTION WITH OUR WORK ALL RIGHTS OF DESIGN AND INVENTION ARE RESERVED THIS IS AN ELECTRONICALLY GENERATED DOCUMENT - DO NOT SCALE THIS PRINT			RFP		CAD FILE	035438ME	SIZE B
			DIST	NLV	DRAWING NO. 035438ME		REV. 02

VIEW FROM OUTSIDE OF MOTOR AT SWITCH END.



VOLTAGE	L1	L2	L3	JOIN & INSULATE
HIGH	T1	T2	T3	(T4,T7) (T5,T8) (T6,T9)
LOW	T1,T7	T2,T8	T3,T9	T4,T5,T6

		TOLERANCES UNLESS SPECIFIED		MARATHON ELECTRIC		DRAWN RDW 04/12/02			
		DEC.	INCHES			CHK	APPD		
		.X	±.1	TITLE EXTERNAL WIRING DIAGRAM 3 PHASE W/O PROTECTOR MAT'L. DECAL - 004014		SCALE 1=1			
		.XX	±.01			REF FIG.2-51			
		.XXX	±.005			FMF			
		.XXXX	±.0005			PREV			
NO.	REVISION	BY & DATE	CHK	ANG	±1/2"	FINISH	SIZE	DRAWING NO.	REV.
			RFP	04/12/02		CAD FILE	A	005010-01ME	

THIS DRAWING IN DESIGN AND DETAIL IS OUR PROPERTY AND MUST NOT BE USED EXCEPT IN CONNECTION WITH OUR WORK ALL RIGHTS OF DESIGN AND INVENTION ARE RESERVED THIS IS AN ELECTRONICALLY GENERATED DOCUMENT - DO NOT SCALE THIS PRINT